

LISTA DE APLICACIONES - BUYERS GUIDE

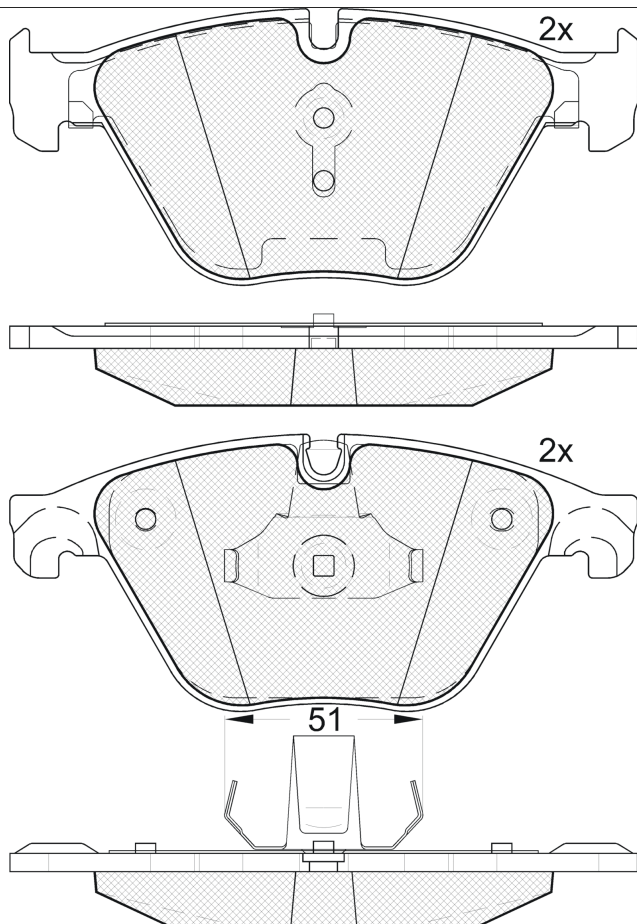
181998



Qty: 300

Weight: 1.930

O.E.M.	MAKE
34 11 2 449 266	BMW
34 11 6 775 314	BMW
34 11 6 798 190	BMW
34 11 6 850 885	BMW



181998

E 9 90R-01111/2940



Ate - Teves

155.1x68.5x20.3
155.2x68.37x20.3

WVA	FMSI
23313	D1260-7799
24688	D1505-8706
24689	
MAKE	
BMW	



Trac.	CC	Kw	CV
-------	----	----	----



Front / Rear

BMW

5 Serie VI (F10) 01.09-10.16							Saloon (Executive car-E Segment)			
528i (N20 B20 A)	reinforced brakes	Gasolina	RWD	1997	180	245	09.11-10.16	■		
528 i xDrive (N20 B20 A)	reinforced brakes	Gasolina	4WD	1997	180	245	09.11-10.16	■		
535i (N55 B30 A)		Gasolina	RWD	2979	225	306	01.10-10.16	■		
535 i xDrive (N55 B30 A)		Gasolina	4WD	2979	225	306	03.11-10.16	■		
535i (N55 B30 A)		Gasolina	RWD	2979	240	326	07.13-10.16	■		
535 i xDrive (N55 B30 A)		Gasolina	4WD	2979	240	326	07.13-10.16	■		
528i (N53 B30 A)	reinforced brakes	Gasolina	RWD	2996	190	258	03.10-08.11	■		
530i (N52 B30 A)		Gasolina	RWD	2996	190	258	03.10-06.13	■		
530i (N52 B30 AF)		Gasolina	RWD	2996	190	258	03.10-06.13	■		
530i (N52 B30 BF)		Gasolina	RWD	2996	190	258	03.10-06.13	■		
530i (N53 B30 A)	reinforced brakes	Gasolina	RWD	2996	200	272	05.11-06.13	■		
ActiveHybrid (N55 B30 A)		Gasol./el éc.	RWD	2979	225	306	12.11-10.16	■		
ActiveHybrid (N55 B30 A)		Gasol./el éc.	RWD	2979	250	340	12.11-10.16	■		
525 d (N47 D20 D)	reinforced brakes	Diesel	RWD	1995	155	211	09.11-10.16	■		
525 d xDrive (N47 D20 D)		Diesel	4WD	1995	155	211	09.11-10.16	■		
525 d (N47 D20 D)	reinforced brakes	Diesel	RWD	1995	160	218	09.11-10.16	■		
525 d xDrive (N47 D20 D)	reinforced brakes	Diesel	4WD	1995	160	218	09.11-10.16	■		
525 d (N57 D30 A)	reinforced brakes	Diesel	RWD	2993	150	204	03.10-08.11	■		
530 d (N57 D30 A)	reinforced brakes	Diesel	RWD	2993	180	245	01.10-08.11	■		
530 d (N57 D30 A)	reinforced brakes	Diesel	RWD	2993	190	258	09.11-10.16	■		
530 d xDrive (N57 D30 A)	reinforced brakes	Diesel	4WD	2993	190	258	03.11-10.16	■		
530 d (N57 D30 A)		Diesel	RWD	2993	210	286	09.10-10.16	■		

LISTA DE APLICACIONES - BUYERS GUIDE

530 d xDrive (N57 D30 A)		Diesel	4WD	2993	210	286	03.11-10.16	■	
535 d (N57 D30 B)		Diesel	RWD	2993	230	313	09.11-10.16	■	
535 d xDrive (N57 D30 B)		Diesel	4WD	2993	230	313	09.11-10.16	■	
5 Serie VI GRAN TURISMO (F07) 01.09-					Hatchback (Grand Tourer-S Segment)				
530 d (N57 D30 A)	03/11-	Diesel	RWD	2993	180	245	08.09-06.12	■	
530 d xDrive (N57 D30 A)		Diesel	4WD	2993	180	245	06.10-06.12	■	
535 d xDrive (N57 D30 B)		Diesel	4WD	2993	220	299	03.10-06.12	■	
535 d xDrive (N57 D30 B)		Diesel	4WD	2993	230	313	07.12-02.17	■	
5 Serie VI Touring (F11) 11.09-					Estate (Executive car-E Segment)				
528i (N20 B20 A)	reinforced brakes	Gasolina	RWD	1997	180	245	09.11-02.17	■	
528 i xDrive (N20 B20 A)	reinforced brakes	Gasolina	4WD	1997	180	245	09.11-02.17	■	
535i (N55 B30 A)		Gasolina	RWD	2979	225	306	06.10-02.17	■	
535 i xDrive (N55 B30 A)		Gasolina	4WD	2979	225	306	09.11-02.17	■	
535i (N55 B30 A)	reinforced brakes	Gasolina	RWD	2979	240	326	07.13-02.17	■	
535 i xDrive (N55 B30 A)	reinforced brakes	Gasolina	4WD	2979	240	326	07.13-02.17	■	
528i (N53 B30 A)		Gasolina	RWD	2996	190	258	11.09-08.11	■	
530i (N52 B30 A)		Gasolina	RWD	2996	190	258	03.10-05.13	■	
530i (N52 B30 AF)		Gasolina	RWD	2996	190	258	03.10-05.13	■	
530i (N53 B30 A)		Gasolina	RWD	2996	200	272	07.11-06.13	■	
518 d (B47 D20 A)	reinforced brakes	Diesel	RWD	1995	100	136	07.13-02.17	■	
518 d (N47 D20 C)	reinforced brakes	Diesel	RWD	1995	100	136	07.13-02.17	■	
520 d (N47 D20 C)		Diesel	RWD	1995	100	136	06.10-06.14	■	
520 d xDrive (N47 D20 C)	reinforced brakes	Diesel	4WD	1995	100	136	07.13-06.14	■	
518 d (N47 D20 C)	reinforced brakes	Diesel	RWD	1995	105	143	07.13-06.14	■	
518 d (B47 D20 A)	reinforced brakes	Diesel	RWD	1995	110	150	07.14-02.17	■	
520 d (B47 D20 A)	reinforced brakes	Diesel	RWD	1995	120	163	06.10-02.17	■	
520 d (N47 D20 C)	reinforced brakes	Diesel	RWD	1995	120	163	06.10-02.17	■	
520 d xDrive (B47 D20 A)	reinforced brakes	Diesel	4WD	1995	120	163	07.13-02.17	■	
520 d (N47 D20 C)	reinforced brakes	Diesel	RWD	1995	135	184	06.10-06.14	■	
520 d xDrive (N47 D20 C)	reinforced brakes	Diesel	4WD	1995	135	184	07.13-06.14	■	
520 d xDrive (B47 D20 A)	reinforced brakes	Diesel	4WD	1995	140	190	07.14-02.17	■	
520 d (N47 D20 C)	reinforced brakes	Diesel	RWD	1995	147	200	06.10-06.14	■	
520 d xDrive (N47 D20 C)	reinforced brakes	Diesel	4WD	1995	147	200	07.13-06.14	■	
525 d (N47 D20 D)	reinforced brakes	Diesel	RWD	1995	155	211	09.11-02.17	■	
525 d xDrive (N47 D20 D)	reinforced brakes	Diesel	4WD	1995	155	211	07.13-02.17	■	
525 d (N47 D20 D)	reinforced brakes	Diesel	RWD	1995	160	218	09.11-02.17	■	
525 d xDrive (N47 D20 D)	reinforced brakes	Diesel	4WD	1995	160	218	09.11-02.17	■	
525 d (N57 D30 A)		Diesel	RWD	2993	150	204	09.10-08.11	■	
530 d (N57 D30 A)	reinforced brakes	Diesel	RWD	2993	180	245	06.10-08.11	■	
530 d (N57 D30 A)	reinforced brakes	Diesel	RWD	2993	190	258	09.11-02.17	■	
530 d xDrive (N57 D30 A)	reinforced brakes	Diesel	4WD	2993	190	258	03.11-02.17	■	
530 d (N57 D30 A)		Diesel	RWD	2993	210	286	09.11-02.17	■	
530 d xDrive (N57 D30 A)		Diesel	4WD	2993	210	286	03.11-02.17	■	
535 d (N57 D30 B)		Diesel	RWD	2993	230	313	09.11-02.17	■	
535 d xDrive (N57 D30 B)		Diesel	4WD	2993	230	313	09.11-02.17	■	
6 Serie III (F12) 12.10-06.18					Convertible (Grand Tourer-S Segment)				
640 i (N55 B30 A)	USA	Gasolina	RWD	2979	235	320	09.11-06.18	■	
640 i xDrive (N55 B30 A)	not M technique	Gasolina	4WD	2979	235	320	03.13-06.18	■	
640 d (N57 D30 B)		Diesel	RWD	2993	230	313	09.11-06.18	■	

LISTA DE APLICACIONES - BUYERS GUIDE

6 Serie III (F13) 07.11-10.17					Coupe (Grand Tourer-S Segment)				
640 i (N55 B30 A)	USA	Gasolina	RWD	2979	235	320	07.11-10.17	■	
640 i (N55 B30 A)		Gasolina	RWD	2979	235	320	03.12-10.18	■	
640 i xDrive (N55 B30 A)	not M technique	Gasolina	4WD	2979	235	320	03.13-10.17	■	
640 i xDrive (N55 B30 A)		Gasolina	4WD	2979	235	320	03.13-10.18	■	
640 d (N57 D30 B)		Diesel	RWD	2993	230	313	09.11-10.17	■	
7 Serie V (F01, F02, F03, F04) 02.08-12.15					Saloon (Luxury car-F Segment)				
730 d (N57 D30 A)	03/11-	Diesel	RWD	2993	180	245	09.08-06.12	■	