

LISTA DE APLICACIONES - BUYERS GUIDE

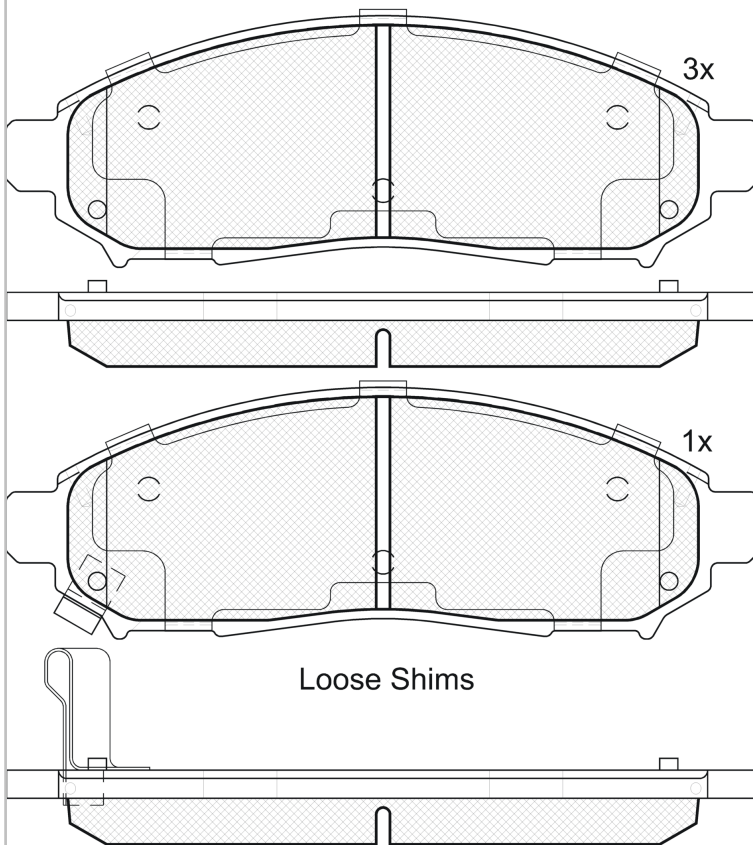
182003



Qty: 300

Weight: 1.860

| O.E.M. | MAKE |
|-------------|--------|
| 41060-EA025 | NISSAN |
| 41060-EB326 | NISSAN |
| 41060ZP00A | NISSAN |
| 41060-ZP00B | NISSAN |
| 41060-ZP025 | NISSAN |
| 55210-82Z00 | SUZUKI |
| AY040-NS130 | NISSAN |
| D1060-063VA | NISSAN |
| D1060-98T0C | NISSAN |
| D1060EB70A | NISSAN |
| D1060-EB71A | NISSAN |
| D1060JR70A | NISSAN |
| D1060-ZP00C | NISSAN |
| DA060-004VA | NISSAN |
| DA060-EB326 | NISSAN |



182003

E 9 90R-01111/1300



Tokico

163.6x54.6x16.7

| WVA | FMSI |
|-------------|------------|
| 24227 | D1094-8200 |
| 24228 | D1900-8200 |
| MAKE | |
| NISSAN | |
| SUZUKI | |



| Trac. | CC | Kw | CV |
|-------|----|----|----|
| ■ | ■ | ■ | ■ |



Front / Rear

NISSAN

FRONTIER II (D40) 01.04-

Pickup (Pick-Up Truck)

| | | | | | | | | |
|-----|--------|----------|-----|------|-----|-----|--------|---|
| 2.4 | Rim 16 | Gasolina | FWD | 2389 | 105 | 143 | 01.11- | ■ |
| 4.0 | Rim 16 | Gasolina | FWD | 3954 | 192 | 261 | 01.11- | ■ |
| 4.0 | Rim 16 | Gasolina | FWD | 3954 | 192 | 261 | 01.11- | ■ |

NP300 NAVARA II / FRONTIER (D40) 10.04-

Pickup (Pick-Up Truck)

| | | | | | | | | |
|---|--------|----------|-----|------|-----|-----|-------------|---|
| 2.0 | Rim 16 | Gasolina | FWD | 1998 | 84 | 114 | 08.08- | ■ |
| 2.4 | Rim 16 | Gasolina | FWD | 2389 | 105 | 143 | 08.08- | ■ |
| 2.4 4x4 | Rim 16 | Gasolina | 4WD | 2389 | 105 | 143 | 08.08- | ■ |
| 2.4 | Rim 16 | Gasolina | FWD | 2389 | 107 | 146 | 09.13- | ■ |
| 4.0 (VQ40) | Rim 16 | Gasolina | RWD | 3954 | 198 | 269 | 10.04-11.09 | ■ |
| 4.0 4WD | Rim 16 | Gasolina | 4WD | 3954 | 198 | 269 | 10.04- | ■ |
| 2.5 dCi (YD25DDTI) | Rim 16 | Diesel | RWD | 2488 | 98 | 133 | 04.08- | ■ |
| 2.5 dCi 4x4 (YD25DDTI) | Rim 16 | Diesel | 4WD | 2488 | 98 | 133 | 04.08- | ■ |
| 2.5 dCi (YD25DDTI) | Rim 16 | Diesel | RWD | 2488 | 106 | 144 | 07.05- | ■ |
| 2.5 dCi 4WD (YD25DDTI) | Rim 16 | Diesel | 4WD | 2488 | 106 | 144 | 01.07- | ■ |
| 2.5 dCi (YD25DDTI) | Rim 16 | Diesel | RWD | 2488 | 120 | 163 | 10.06- | ■ |
| 2.5 dCi 4x4 | Rim 16 | Diesel | 4WD | 2488 | 120 | 163 | 02.12-12.16 | ■ |
| 2.5 dCi 4WD (YD25DDTI) | Rim 16 | Diesel | 4WD | 2488 | 126 | 171 | 10.06- | ■ |
| 2.5 dCi (YD25DDTI) | Rim 16 | Diesel | RWD | 2488 | 128 | 174 | 12.05- | ■ |
| 2.5 dCi 4WD (YD25DDTI) | Rim 16 | Diesel | 4WD | 2488 | 128 | 174 | 07.05- | ■ |
| 2.5 dCi | Rim 16 | Diesel | RWD | 2488 | 140 | 190 | 10.04-07.05 | ■ |
| 2.5 dCi 4WD (D40TT, D40T, D40M, D40BB) (YD25DDTI) | Rim 16 | Diesel | 4WD | 2488 | 140 | 190 | 12.09- | ■ |
| 2.8 D | Rim 16 | Diesel | RWD | 2798 | 101 | 137 | 10.04- | ■ |

LISTA DE APLICACIONES - BUYERS GUIDE

| | | | | | | | | | |
|--|----------------|----------|-----|------|-----|-----|---|---|--|
| 2.8 TDI | Rim 16 | Diesel | RWD | 2798 | 103 | 140 | 01.05-09.08 | ■ | |
| 2.8 TDI | Rim 16 | Diesel | RWD | 2798 | 103 | 140 | 08.05-09.08 | ■ | |
| 3.0 dCi 4WD (V9X) | Rim 16 | Diesel | 4WD | 2993 | 170 | 231 | 02.10- | ■ | |
| NP300 NAVARA II / FRONTIER (D40) 07.08- | | | | | | | Platform/Chassis (LCVs-N1 Segment) | | |
| 2.5 dCi | Rim 16 | Diesel | RWD | 2488 | 106 | 144 | 08.08-12.15 | ■ | |
| 2.5 dCi 4WD (YD25DDTI) | Rim 16 | Diesel | 4WD | 2488 | 106 | 144 | 08.08- | ■ | |
| 2.5 dCi 4WD (YD25DDTI) | Rim 16 | Diesel | 4WD | 2488 | 126 | 171 | 08.08- | ■ | |
| 2.5 dCi (YD25DDTI) | Rim 16 | Diesel | 4WD | 2488 | 140 | 190 | 03.10- | ■ | |
| 3.0 dCi (V9X) | Rim 16 | Diesel | 4WD | 2993 | 170 | 231 | 03.10- | ■ | |
| PATHFINDER III / / TERRANO / ARMADA (R51) 01.05- | | | | | | | SUV (Executive SUV-J Segment) | | |
| 4.0 | | Gasolina | RWD | 3954 | 198 | 269 | 01.05- | ■ | |
| 4.0 4WD (VQ40DE) | | Gasolina | 4WD | 3954 | 198 | 269 | 09.05- | ■ | |
| 4.0 (VQ40DE) | | Gasolina | RWD | 3954 | 214 | 291 | 01.10-08.14 | ■ | |
| 4.0 4WD (VQ40DE) | | Gasolina | 4WD | 3954 | 214 | 291 | 01.10-08.14 | ■ | |
| 2.5 dCi 4WD (YD25DDTI) | | Diesel | 4WD | 2488 | 120 | 163 | 01.05- | ■ | |
| 2.5 dCi 4WD (YD25DDTI) | -12/10, Rim 16 | Diesel | 4WD | 2488 | 126 | 171 | 10.06- | ■ | |
| 2.5 dCi (YD25DDTI) | | Diesel | RWD | 2488 | 128 | 174 | 01.05-01.10 | ■ | |
| 2.5 dCi 4WD (YD25DDTI) | -12/10, Rim 16 | Diesel | 4WD | 2488 | 128 | 174 | 01.05-01.10 | ■ | |
| 2.5 dCi | | Diesel | RWD | 2488 | 140 | 190 | 10.12-08.14 | ■ | |
| 2.5 dCi 4WD (YD25DDTI) | | Diesel | 4WD | 2488 | 140 | 190 | 08.10- | ■ | |
| 3.0 dCi (V9X) | | Diesel | 4WD | 2993 | 170 | 231 | 08.10- | ■ | |
| PATHFINDER III VAN / / TERRANO / ARMADA (R51_) 01.05- | | | | | | | SUV Van (Executive SUV-J Segment) | | |
| 2.5 dCi 4x4 (R51M) | | Diesel | 4WD | 2488 | 140 | 190 | 03.13-08.14 | ■ | |
| XTERRA (WD22_) 01.99-08.08 | | | | | | | SUV (Compact SUV-J Segment) | | |
| 4.0 24V | 01/05- | Gasolina | FWD | 3995 | 198 | 269 | 01.99- | ■ | |
| 4.0 24V 4WD | 01/05- | Gasolina | FWD | 3995 | 198 | 269 | 01.99- | ■ | |
| XTERRA II / PALADIN (N50) 01.05- | | | | | | | SUV (Compact SUV-J Segment) | | |
| 4.0 4x4 (VQ40DE) | | Gasolina | 4WD | 3954 | 195 | 265 | 09.08- | ■ | |
| 4.0 4x4 (VQ40DE) | | Gasolina | 4WD | 3954 | 198 | 269 | 01.05- | ■ | |
| 4.0 4x4 | | Gasolina | 4WD | 3954 | 214 | 291 | 01.10- | ■ | |
| SUZUKI | | | | | | | | | |
| EQUATOR (U.S.A.) 09.08-12.11 | | | | | | | Pickup (Pick-Up Truck) | | |
| 2.5 16V 4WD Crew Cab | 01/09- | Gasolina | FWD | 2495 | | | 09.08- | ■ | |
| 4.0 24V 4WD Extended Cab | 01/09- | Gasolina | FWD | 3995 | | | 09.08- | ■ | |