

LISTA DE APLICACIONES - BUYERS GUIDE

182003-200

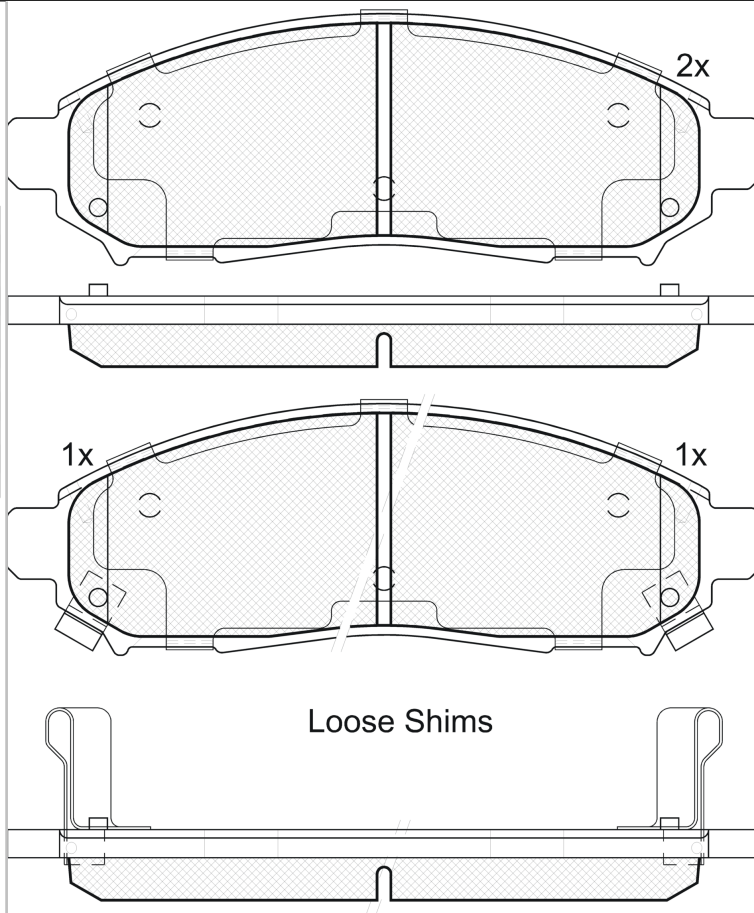


8 424073 102898

Qty: 300

Weight: 1.820

O.E.M.	MAKE
41060-ZP00A	NISSAN
D1060-1VA0A	NISSAN
D1060-1VA8E	NISSAN
D1060-EB70A	NISSAN
D1060-JR70A	NISSAN
D1060-ZP00A	NISSAN
D1080-1VA0A	NISSAN
D1M60-CY70B	NISSAN
D1M80-1VA0A	NISSAN
D1M80-EA000	NISSAN



182003-200

E 9 90R-01111/2995



Tokico

163.6x54.6x15.9

WVA	FMSI
24227	D1548-8757
24228	
25254	

MAKE
CHEVROLET
NISSAN



Trac.	CC	Kw	CV
-------	----	----	----



Front / Rear

CHEVROLET

CITY EXPRESS 09.09-

Van (LCVs-N1 Segment)

2.0	Gasolina	FWD	1997	98	133	07.14-	■
-----	----------	-----	------	----	-----	--------	---

NISSAN

LEAF (ZE0) 11.10-

Hatchback (Executive car-E Segment)

Electric (EM57)	Eléctrico	FWD		80	109	11.10-12.17	■
Electric (EM61)	Eléctrico	FWD		80	109	11.10-12.17	■

NP300 NAVARA II / FRONTIER (D40) 10.04-

Pickup (Pick-Up Truck)

2.5 dCi 4WD (YD25DDTI)	Diesel	4WD	2488	106	144	01.07-	■
2.5 dCi (YD25DDTI)	Diesel	RWD	2488	120	163	10.06-	■
2.5 dCi (YD25DDTI)	Diesel	RWD	2488	128	174	12.05-	■

NP300 NAVARA II / FRONTIER (D40) 07.08-

Platform/Chassis (LCVs-N1 Segment)

2.5 dCi 4WD (YD25DDTI)	Diesel	4WD	2488	106	144	08.08-	■
2.5 dCi 4WD (YD25DDTI)	Diesel	4WD	2488	126	171	08.08-	■

NV200 02.10-

Van (LCVs-N1 Segment)

e-NV (ME0N) (EM57)	Eléctrico	FWD		80	109	05.14-	■
--------------------	-----------	-----	--	----	-----	--------	---

NV200 EVALIA 07.10-

Bus (Minibus-M2-Segment)

e-NV (ME0M) (EM57)	Eléctrico	FWD		80	109	07.14-	■
--------------------	-----------	-----	--	----	-----	--------	---

SERENA V (C27) 08.16-

MPV (Large MPV-M1 Segment)

2.0	Gasolina	FWD	1997	110	150	08.16-	■
2.0	Gasolina	FWD	1997	110	150	08.16-	■