

LISTA DE APLICACIONES - BUYERS GUIDE

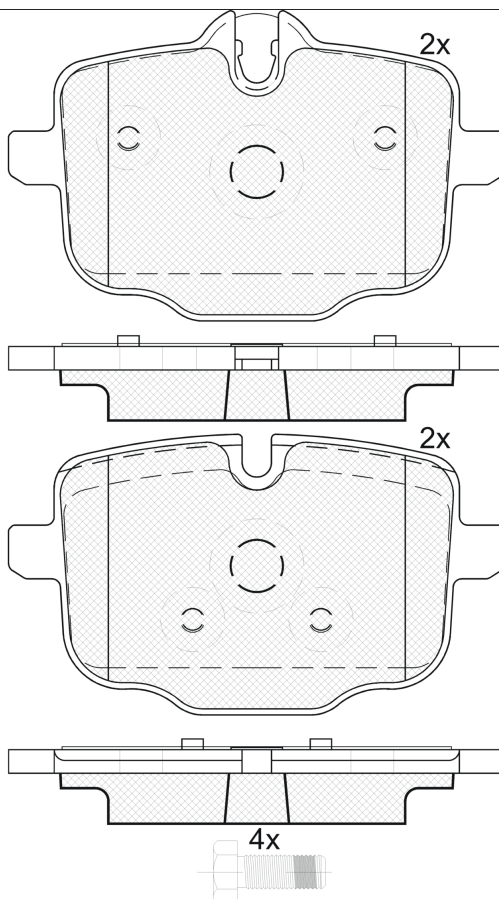
182005-200



Qty: 300

Weight: 1.550

O.E.M.	MAKE
34 20 7 884 379	BMW
34 20 8 093 728	BMW
34 21 2 284 389	BMW
34 21 2 284 390	BMW
34 21 2 284 466	BMW



1-Ref. 690042

182005-200

E 9 90R-02A0111/3735



Trw

116.1x65.6x16.7
116.1x72.5x16.7

WVA	FMSI
24703	D1469-8962
24704	
MAKE	
BMW	



Trac.	CC	Kw	CV	Front / Rear
-------	----	----	----	--------------

BMW

2 Serie II (G42, G87) 08.21-

Coupe (Compact car-C Segment)

M2		Gasolina	RWD	2993	338	460	11.22-	■
M2		Gasolina	RWD	2993	353	480	08.24-	■

3 Serie VII (G20, G80, G28) 11.18-

Saloon (Compact executive car-D Segment)

M3	SA S4007	Gasolina	RWD	2993	353	480	11.20-	■
M3 Competition	SA S4007	Gasolina	RWD	2993	375	510	11.20-	■
M3 Competition xDrive	SA S4007	Gasolina	4WD	2993	375	510	05.21-	■
M3 Competition xDrive		Gasolina	4WD	2993	390	530	07.24-	■
M3 CS xDrive		Gasolina	4WD	2993	405	551	03.23-	■

3 Serie VII Touring (G21, G81) 07.19-

Estate (Compact executive car-D Segment)

M3 Competition xDrive		Gasolina	4WD	2993	375	510	07.22-07.24	■
-----------------------	--	----------	-----	------	-----	-----	-------------	---

4 Serie II (G23, G83) 11.20-

Convertible (Compact executive car-D Segment)

M4 Competition M xDrive		Gasolina	4WD	2993	375	510	07.21-02.24	■
M4 Competition M xDrive		Gasolina	4WD	2993	390	530	03.24-	■

4 Serie II (G22, G82) 07.20-

Coupe (Compact executive car-D Segment)

M4	SA S4007	Gasolina	RWD	2993	353	480	11.20-	■
M4 Competition	SA S4007	Gasolina	RWD	2993	375	510	11.20-	■
M4 Competition M xDrive	SA S4007	Gasolina	4WD	2993	375	510	05.21-02.24	■
M4 Competition M xDrive		Gasolina	4WD	2993	390	530	03.24-	■

5 Serie VI (F10) 01.09-10.16

Saloon (Executive car-E Segment)

M5 (S63 B44 B)	not ceramic brakes	Gasolina	RWD	4395	412	560	09.11-10.16	■
----------------	--------------------	----------	-----	------	-----	-----	-------------	---

LISTA DE APLICACIONES - BUYERS GUIDE

M5 Competition (S63 B44 B)		Gasolina	RWD	4395	423	575	02.13-10.16	■	
M5 30th Anniversary (S63 B44 B)		Gasolina	RWD	4395	441	600	07.14-10.16	■	
M 550 d xDrive (N57 D30 C)	not ceramic brakes	Diesel	4WD	2993	280	381	03.12-10.16	■	
5 Serie VI Touring (F11) 11.09-					Estate (Executive car-E Segment)				
M 550 d xDrive (N57 D30 C)	not ceramic brakes	Diesel	4WD	2993	280	381	03.12-02.17	■	
6 Serie III (F12) 12.10-06.18					Convertible (Grand Tourer-S Segment)				
M6 (S63 B44 B)	not ceramic brakes	Gasolina	RWD	4395	412	560	03.12-06.18	■	
M6 Competition (S63 B44 B)	not ceramic brakes	Gasolina	RWD	4395	423	575	07.13-02.15	■	
M6 Competition (S63 B44 B)	not ceramic brakes	Gasolina	RWD	4395	441	600	03.15-06.18	■	
6 Serie III (F13) 07.11-10.17					Coupe (Grand Tourer-S Segment)				
M6	not ceramic brakes	Gasolina	FWD	4395	410	560	11.13-	■	
M6 (S63 B44 B)	not ceramic brakes	Gasolina	RWD	4395	412	560	07.12-10.17	■	
M6 (S63 B44 B)	not ceramic brakes	Gasolina	RWD	4395	412	560	03.13-10.18	■	
M6 Competition (S63 B44 B)	not ceramic brakes	Gasolina	RWD	4395	423	575	07.13-02.15	■	
M6 Competition (S63 B44 B)	not ceramic brakes	Gasolina	RWD	4395	423	575	07.13-02.15	■	
M6 Competition (S63 B44 B)	not ceramic brakes	Gasolina	RWD	4395	441	600	03.15-10.17	■	
M6 Competition (S63 B44 B)	not ceramic brakes	Gasolina	RWD	4395	441	600	03.15-10.18	■	
X3 III (G01, F97, G08) 07.17-					SUV (Luxury Crossover SUV-J Segment)				
M (S58 B30 A)		Gasolina	4WD	2993	353	480	03.19-	■	
M Competition (S58 B30 A)		Gasolina	4WD	2993	375	510	03.19-	■	
X4 II (G02, F98) 04.18-					SUV (Luxury Crossover SUV-J Segment)				
M (S58 B30 A)		Gasolina	4WD	2993	353	480	03.19-	■	
M Competition (S58 B30 A)		Gasolina	4WD	2993	375	510	03.19-	■	