

LISTA DE APLICACIONES - BUYERS GUIDE

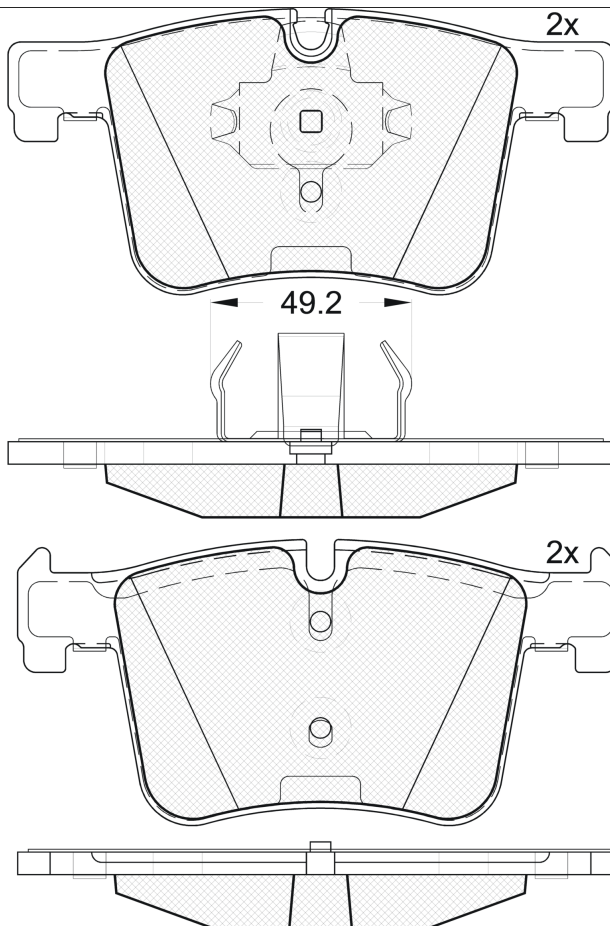
182020



Qty: 300

Weight: 2.025

O.E.M.	MAKE
34 10 6 799 801	BMW
34 10 6 856 191	BMW
34 10 6 859 181	BMW
34 10 6 859 182	BMW
34 11 2 456 867	BMW
34 11 2 464 194	BMW
34 11 4 073 936	BMW
34 11 6 798 978	BMW
34 11 6 854 126	BMW
34 11 6 856 193	BMW
34118855010	BMW



182020

E 9 90R-01111/3152

Bosch

148.3x70x19.2

WVA	FMSI
25199	D1561-8772
25200	
MAKE	
BMW	
BMW (BRILLIANCE)	



Trac.	CC	Kw	CV
-------	----	----	----



Front / Rear

BMW

1 Serie II (F20) 07.11-06.19	Hatchback (Compact car-C Segment)							
118 i (B38 B15 A)	Japan	Gasolina	RWD	1499	100	136	07.15-06.19	■
118 i (B38 B15 A)	not M technique	Gasolina	RWD	1499	100	136	03.15-06.19	■
114 i (N13 B16 A)	Performance brakes	Gasolina	RWD	1598	75	102	07.12-02.15	■
114 i (N13 B16 A)		Gasolina	RWD	1598	75	102	07.12-01.15	■
116 i (N13 B16 A)	Performance brakes, Republic Korea, not M technique	Gasolina	RWD	1598	100	136	07.11-02.15	■
118 i (N13 B16 A)	Japan, not M technique	Gasolina	RWD	1598	125	170	07.11-02.15	■
120 i (N13 B16 A)		Gasolina	RWD	1598	130	177	03.15-06.16	■
120 i Active Flex		Gasolina	FWD	1997	135	184	03.15-	■
125 i (N20 B20 A)	not sports package, not M technique	Gasolina	RWD	1997	160	218	03.12-11.17	■
125 i (N20 B20 A)	01/12-, not M technique	Gasolina	RWD	1997	160	218	12.11-12.19	■
125 i (N20 B20 A)	not M technique	Gasolina	RWD	1997	175	238	03.12-11.17	■
125 i (N20 B20 A)	not M technique	Gasolina	RWD	1997	175	238	03.13-06.19	■
120 i (B48 B20 A)		Gasolina	RWD	1998	135	184	07.16-06.19	■
120 i (B48 B20 A)		Gasolina	RWD	1998	135	184	07.16-06.19	■
125 i (B48 B20 B)	not sports package, not M technique	Gasolina	RWD	1998	165	224	07.16-06.19	■
125 i (B48 B20 B)	not sports package, not M technique	Gasolina	RWD	1998	165	224	10.15-06.19	■
125 i Active Flex (N20 B20 A)	not sports package, not M technique	Gasol./Etanol	RWD	1997	160	218	11.14-11.17	■
125 i Active Flex	not M technique	Gasol./Etanol	RWD	1997	160	218	08.14-	■
114 D (B37 D15 A)	not M technique	Diesel	RWD	1496	70	95	07.15-06.19	■
114 D (B37 D15 A)	not M technique	Diesel	RWD	1496	70	95	06.15-05.19	■

LISTA DE APLICACIONES - BUYERS GUIDE

114 D (N47 D16 A)		Diesel	RWD	1598	70	95	07.12-05.19	■	
118 d (B47 D20 A)	Republic Korea, not M technique	Diesel	RWD	1995	110	150	03.15-06.19	■	
120 d (B47 D20 A)	Republic Korea, not M technique	Diesel	RWD	1995	140	190	03.15-06.19	■	
120 d xDrive (B47 D20 A)	Republic Korea, not M technique	Diesel	4WD	1995	140	190	03.15-06.19	■	
120 d xDrive (N47 D20 C)	Republic Korea, not M technique	Diesel	4WD	1995	147	200	11.12-02.15	■	
120 d		Diesel	RWD	1995	151	205	03.15-06.19	■	
120 d		Diesel	RWD	1995	151	205	03.15-06.19	■	
120 d xDrive		Diesel	4WD	1995	151	205	03.15-06.19	■	
120 d xDrive		Diesel	4WD	1995	151	205	03.15-06.19	■	
125 d (B47 D20 B)	-05/12, not sports package, not M technique	Diesel	RWD	1995	155	211	03.12-06.19	■	
125 d (N47 D20 D)	-05/12, not sports package, not M technique	Diesel	RWD	1995	155	211	03.12-06.19	■	
125 d (N47 D20 D)	01/12-, not M technique	Diesel	RWD	1995	155	211	12.11-05.19	■	
125 d (N47 D20 D)	-05/12, not sports package, not M technique	Diesel	RWD	1995	160	218	03.12-02.15	■	
125 d (N47 D20 D)	01/12-, not M technique	Diesel	RWD	1995	160	218	12.11-02.15	■	
125 d (B47 D20 B)	not M technique	Diesel	RWD	1995	165	224	03.15-06.19	■	
125 d (B47 D20 B)	not M technique	Diesel	RWD	1995	165	224	03.15-05.19	■	
1 Serie II Van (F20) 03.15-06.19					Hatchback Van (Compact car-C Segment)				
118 i (B38 B15 A)	Japan	Gasolina	RWD	1499	100	136	07.15-06.19	■	
120 i (B48 B20 A)		Gasolina	RWD	1998	135	184	07.16-06.19	■	
118 d (B47 D20 A)	Republic Korea, not M technique	Diesel	RWD	1995	110	150	03.15-06.19	■	
120 d (B47 D20 A)	discØ 312, Syst. Power Kit, Republic Korea, not M technique	Diesel	RWD	1995	140	190	03.15-06.19	■	
2 Active Tourer (F45) 11.13-					MPV (Compact car-C Segment)				
218i (B38 A15 A)		Gasolina	FWD	1499	100	136	07.14-10.21	■	
218d		Gasolina	FWD	1995	110	150	09.14-	■	
220 i (B48 A20 A)		Gasolina	FWD	1998	141	192	03.14-10.21	■	
220 i (B48 A20 F)		Gasolina	FWD	1998	141	192	03.14-10.21	■	
225 i (B48 A20 B)		Gasolina	FWD	1998	170	231	11.13-12.19	■	
225 i xDrive (B48 A20 B)		Gasolina	4WD	1998	170	231	03.14-10.21	■	
216 d (B37 C15 A)		Diesel	FWD	1496	85	116	03.14-10.21	■	
218d (B47 C20 A)		Diesel	FWD	1995	110	150	11.13-10.21	■	
218d (B47 C20 B)		Diesel	FWD	1995	110	150	11.13-10.21	■	
220 d (B47 C20 A)	not M technique	Diesel	FWD	1995	140	190	03.14-10.21	■	
220 d (B47 C20 B)	not M technique	Diesel	FWD	1995	140	190	03.14-10.21	■	
220 d xDrive (B47 C20 A)	not M technique	Diesel	4WD	1995	140	190	03.14-10.21	■	
220 d xDrive (B47 C20 B)	not M technique	Diesel	4WD	1995	140	190	03.14-10.21	■	
2 Active Tourer Van (F45) 11.13-					Box Body/MPV (Compact car-C Segment)				
218d (B47 C20 A)	not M technique	Diesel	FWD	1995	110	150	07.14-10.21	■	
218d (B47 C20 B)	not M technique	Diesel	FWD	1995	110	150	07.14-10.21	■	
220 d (B47 C20 A)	not M technique	Diesel	FWD	1995	140	190	11.14-10.21	■	
220 d (B47 C20 B)	not M technique	Diesel	FWD	1995	140	190	11.14-10.21	■	
2 Gran Coupe (F44) 11.19-					Coupe (Compact car-C Segment)				
M 235 i xDrive (B48 A20 E)		Gasolina	4WD	1998	225	306	11.19-	■	
220 d (B47 C20 B)	not M technique	Diesel	FWD	1995	140	190	11.19-	■	

LISTA DE APLICACIONES - BUYERS GUIDE

2 Gran Tourer (F46) 07.14-					MPV (Compact car-C Segment)			
218i (B38 A15 A)		Gasolina	FWD	1499	100	136	03.15-	■
220 i (B48 A20 A)	not M technique	Gasolina	FWD	1998	120	163	03.15-	■
220 i (B48 A20 A)	not M technique	Gasolina	FWD	1998	141	192	03.15-	■
216 d (B37 C15 A)		Diesel	FWD	1496	85	116	03.15-	■
218d (B47 C20 A)		Diesel	FWD	1995	100	136	07.14-	■
218d (B47 C20 B)		Diesel	FWD	1995	100	136	07.14-	■
218 d xDrive (B47 C20 A)		Diesel	4WD	1995	100	136	03.15-	■
218 d xDrive (B47 C20 B)		Diesel	4WD	1995	100	136	03.15-	■
218d (B47 C20 A)		Diesel	FWD	1995	110	150	07.14-	■
218d (B47 C20 B)		Diesel	FWD	1995	110	150	07.14-	■
218 d xDrive (B47 C20 A)		Diesel	4WD	1995	110	150	03.15-	■
218 d xDrive (B47 C20 B)		Diesel	4WD	1995	110	150	03.15-	■
220 d (B47 C20 A)	not M technique	Diesel	FWD	1995	120	163	09.14-	■
220 d (B47 C20 B)	not M technique	Diesel	FWD	1995	120	163	09.14-	■
220 d xDrive (B47 C20 A)	not M technique	Diesel	4WD	1995	120	163	03.15-	■
220 d xDrive (B47 C20 B)	not M technique	Diesel	4WD	1995	120	163	03.15-	■
220 d xDrive (B47 C20 A)	not M technique	Diesel	4WD	1995	140	190	03.15-	■
220 d xDrive (B47 C20 B)	not M technique	Diesel	4WD	1995	140	190	03.15-	■
2 Gran Tourer Van (F46) 07.14-					Box Body/MPV (Compact car-C Segment)			
218d (B47 C20 A)	not M technique	Diesel	FWD	1995	110	150	07.14-	■
218d (B47 C20 B)	not M technique	Diesel	FWD	1995	110	150	07.14-	■
220 d (B47 C20 A)	not M technique	Diesel	FWD	1995	140	190	07.14-	■
220 d (B47 C20 B)	not M technique	Diesel	FWD	1995	140	190	07.14-	■
2 Serie (F23) 03.14-					Convertible (Compact car-C Segment)			
218i (B38 B15 A)		Gasolina	RWD	1499	100	136	03.15-06.21	■
220 i (B38 B15 A)	not M technique	Gasolina	RWD	1499	100	136	10.17-	■
220 i (N20 B20 A)	not M technique, discØ 312, Syst. Standard	Gasolina	RWD	1997	135	184	04.14-06.21	■
220 i (N20 B20 B)	not M technique, discØ 312, Syst. Standard	Gasolina	RWD	1997	135	184	04.14-06.21	■
228 i (N20 B20 A)	not M technique, discØ 330, Syst. Standard	Gasolina	RWD	1997	180	245	11.14-06.16	■
228 i	not M technique	Gasolina	FWD	1997	180	245	09.15-	■
220 i (B48 B20 A)	not sports package, not M technique, discØ 312, Syst. Standard	Gasolina	RWD	1998	135	184	09.15-06.21	■
225 i (B48 B20 A)	not M technique	Gasolina	RWD	1998	135	184	10.17-06.21	■
230 i (B46 B20 B)	not sports package, not M technique, discØ 330, Syst. Standard	Gasolina	RWD	1998	185	252	07.16-06.21	■
230 i (B48 B20 B)	not sports package, not M technique, discØ 330, Syst. Standard	Gasolina	RWD	1998	185	252	07.16-06.21	■
230 i	not sports package, not M technique	Gasolina	FWD	1998	185	252	09.16-	■
M 235 i (N55 B30 A)	not M technique	Gasolina	RWD	2979	240	326	11.14-06.16	■
M 235 i xDrive (N55 B30 A)		Gasolina	4WD	2979	240	326	07.15-06.16	■
218d (B47 D20 A)	not M technique	Diesel	RWD	1995	110	150	07.15-09.20	■
220 d (B47 D20 A)	discØ 312, Syst. Standard, not M technique	Diesel	RWD	1995	120	163	03.14-09.20	■
220 d (B47 D20 A)	not M technique, discØ 312, Syst. Standard	Diesel	RWD	1995	140	190	03.14-09.20	■
220 d		Diesel	RWD	1995	151	205	03.14-09.20	■
225 d (B47 D20 B)	not M technique, discØ 312, Syst. Standard	Diesel	RWD	1995	165	224	07.15-05.19	■

LISTA DE APLICACIONES - BUYERS GUIDE

2 Serie (F22, F87) 10.12-						Coupe (Compact car-C Segment)			
218i (B38 B15 A)		Gasolina	RWD	1499	100	136	03.15-06.21	■	
220 i (B38 B15 A)	not M technique	Gasolina	RWD	1499	100	136	10.17-	■	
220 i (N20 B20 A)	not M technique, discØ 312, Syst. Standard	Gasolina	RWD	1997	135	184	10.13-06.21	■	
220 i (N20 B20 B)	not M technique, discØ 312, Syst. Standard	Gasolina	RWD	1997	135	184	10.13-06.21	■	
228 i (N20 B20 A)	discØ 330, Syst. Standard, not M technique	Gasolina	RWD	1997	180	245	07.14-06.16	■	
228 i (N26 B20 A)	discØ 330, Syst. Standard, not M technique	Gasolina	RWD	1997	180	245	07.14-06.16	■	
228 i xDrive (N70 B20 A,N26 B20 A)	not M technique	Gasolina	4WD	1997	180	245	01.14-	■	
220 i (B48 B20 A)	not sports package, not M technique, discØ 312, Syst. Standard	Gasolina	RWD	1998	135	184	09.15-06.21	■	
225 i		Gasolina	RWD	1998	135	184	10.17-06.21	■	
230 i (B46 B20 B)	not sports package, not M technique, discØ 330, Syst. Standard	Gasolina	RWD	1998	185	252	07.16-06.21	■	
230 i (B48 B20 B)	not sports package, not M technique, discØ 330, Syst. Standard	Gasolina	RWD	1998	185	252	07.16-06.21	■	
230 i	not sports package, not M technique	Gasolina	FWD	1998	185	252	09.16-	■	
M 235 i	not M technique	Gasolina	FWD	2979	235	320	03.14-	■	
M 235 i (N55 B30 A)	not M technique	Gasolina	RWD	2979	240	326	10.13-06.16	■	
M 235 i xDrive (N55 B30 A)		Gasolina	4WD	2979	240	326	07.14-06.16	■	
M2 (N55 B30 A)		Gasolina	RWD	2979	272	370	11.15-06.18	■	
218d (N47 D20 C)	not M technique, South Korea, Republic Korea	Diesel	RWD	1995	105	143	03.14-06.15	■	
218d (B47 D20 A)	not M technique	Diesel	RWD	1995	110	150	07.15-09.20	■	
220 d (B47 D20 A)	discØ 312, Syst. Standard, not M technique	Diesel	RWD	1995	120	163	11.14-09.20	■	
220 d (N47 D20 C)	discØ 312, Syst. Standard, not M technique	Diesel	RWD	1995	120	163	11.14-09.20	■	
220 d xDrive (B47 D20 A)	discØ 312, Syst. Standard, not M technique	Diesel	4WD	1995	120	163	03.15-09.20	■	
220 d (N47 D20 C)	not M technique, discØ 312, Syst. Standard	Diesel	RWD	1995	135	184	10.13-06.17	■	
220 d (B47 D20 A)	not M technique, discØ 312, Syst. Standard	Diesel	RWD	1995	140	190	03.14-09.20	■	
220 d xDrive (B47 D20 A)	discØ 312, Syst. Standard, not M technique	Diesel	4WD	1995	140	190	06.14-09.20	■	
220 d (N47 D20 C)	not M technique, discØ 312, Syst. Standard	Diesel	RWD	1995	147	200	10.12-11.14	■	
220 d		Diesel	RWD	1995	151	205	03.14-09.20	■	
220 d xDrive		Diesel	4WD	1995	151	205	06.14-09.20	■	
225 d (N47 D20 D)	not M technique, discØ 312, Syst. Standard	Diesel	RWD	1995	160	218	01.14-06.17	■	
225 d (B47 D20 B)	not M technique, discØ 312, Syst. Standard	Diesel	RWD	1995	165	224	07.15-05.19	■	
3 Serie VI (U.S.A.) 09.11-						Saloon (Compact executive car-D Segment)			
320i	with cruise control, not M technique	Gasolina	FWD	1997	134	182	09.12-	■	
320i	not M technique	Gasolina	RWD	1997	134	182	03.12-10.18	■	
320i (N20 B20 A)	discØ 312, Syst. Standard, not M technique	Gasolina	RWD	1997	135	184	03.12-10.18	■	
320i (N20 B20 B)	discØ 312, Syst. Standard, not M technique	Gasolina	RWD	1997	135	184	03.12-10.18	■	
320i (N20 B20 D)	discØ 312, Syst. Standard, not M technique	Gasolina	RWD	1997	135	184	03.12-10.18	■	
320 i xDrive (N20 B20 A)	discØ 312, Syst. Standard, with cruise control, not M technique	Gasolina	4WD	1997	135	184	07.12-10.18	■	
320 i xDrive (N20 B20 B)	discØ 312, Syst. Standard, with cruise control, not M technique	Gasolina	4WD	1997	135	184	07.12-10.18	■	

LISTA DE APLICACIONES - BUYERS GUIDE

328i (N20 B20 A)	discØ 330, Syst. Standard, not Performance brak, not M technique	Gasolina	RWD	1997	160	218	11.11-06.15	■
328 i xDrive (N20 V20 A,N26 B20 A)	not M technique	Gasolina	4WD	1997	179	243	07.12-07.16	■
328i (N20 B20 A)	not sports package, discØ 330, Syst. Standard, not M technique	Gasolina	RWD	1997	180	245	11.11-10.18	■
328i (N20 B20 C)	not sports package, discØ 330, Syst. Standard, not M technique	Gasolina	RWD	1997	180	245	11.11-10.18	■
328i (N26 B20 A)	not sports package, discØ 330, Syst. Standard, not M technique	Gasolina	RWD	1997	180	245	11.11-10.18	■
328 i Flex	not M technique	Gasolina	FWD	1997	180	245	08.14-	■
328 i xDrive (N20 B20 A)	not sports package, discØ 330, Syst. Standard, not M technique	Gasolina	4WD	1997	180	245	07.12-08.16	■
328 i xDrive (N26 B20 A)	not sports package, discØ 330, Syst. Standard, not M technique	Gasolina	4WD	1997	180	245	07.12-08.16	■
320i (B48 B20 A)	not M technique, discØ 300	Gasolina	RWD	1998	135	184	07.15-10.18	■
330i (B46 B20 B)	not M technique, discØ 312 discØ 330, Syst. Standard	Gasolina	RWD	1998	185	252	07.15-10.18	■
330i (B48 B20 B)	not M technique, discØ 312 discØ 330, Syst. Standard	Gasolina	RWD	1998	185	252	07.15-10.18	■
330 i xDrive (B46 B20 B)	not M technique, discØ 312 discØ 330, Syst. Standard	Gasolina	4WD	1998	185	252	07.15-10.18	■
330 i xDrive (B48 B20 A)	not M technique, discØ 312 discØ 330, Syst. Standard	Gasolina	4WD	1998	185	252	07.15-10.18	■
330 i xDrive (B48 B20 B)	not M technique, discØ 312 discØ 330, Syst. Standard	Gasolina	4WD	1998	185	252	07.15-10.18	■
335 i (N55 B30 A)	USA, not M technique	Gasolina	RWD	2979	225	306	11.11-07.15	■
335 i xDrive (N55 B30 A)	USA, not M technique	Gasolina	4WD	2979	225	306	07.12-07.15	■
335 i (N55 B30 A)		Gasolina	RWD	2979	240	326	11.11-06.13	■
335 i xDrive (N55 B30 A)		Gasolina	4WD	2979	240	326	07.12-06.13	■
335 i (N55 B30 A)		Gasolina	RWD	2979	250	340	07.13-07.15	■
335 i xDrive (N55 B30 A)		Gasolina	4WD	2979	250	340	07.12-07.15	■
330 e (B48 B20 A)	discØ 312, Syst. Standard, not M technique	Gasol./el éc.	RWD	1998	135	184	11.15-10.18	■
330 e (B48 B20 A)	discØ 312, Syst. Standard, not M technique	Gasol./el éc.	RWD	1998	185	252	11.15-10.18	■
318 d (B47 D20 A)		Diesel	RWD	1995	100	136	03.12-10.18	■
318 d (N47 D20 C)		Diesel	RWD	1995	100	136	03.12-10.18	■
320 d (B47 D20 A)	discØ 312, Syst. Standard	Diesel	RWD	1995	120	163	11.11-10.18	■
320 d (N47 D20 C)	discØ 312, Syst. Standard	Diesel	RWD	1995	120	163	11.11-10.18	■
320 d xDrive (B47 D20 A)	discØ 312, Syst. Standard, not M technique	Diesel	4WD	1995	120	163	08.12-10.18	■
320 d xDrive (N47 D20 C)	discØ 312, Syst. Standard, not M technique	Diesel	4WD	1995	120	163	08.12-10.18	■
320 d (N47 D20 C)	-05/12, discØ 312, Syst. Standard, not M technique	Diesel	RWD	1995	135	184	11.11-03.16	■
320 d xDrive (N47 D20 C)	discØ 312, Syst. Standard, not M technique	Diesel	4WD	1995	135	184	08.12-06.15	■
320 d (B47 D20 A)	not M technique, discØ 312, Syst. Standard	Diesel	RWD	1995	140	190	07.15-10.18	■
320 d xDrive (B47 D20 A)	not M technique, discØ 312, Syst. Standard	Diesel	4WD	1995	140	190	07.15-10.18	■
320 d (N47 D20 C)	discØ 312, Syst. Standard, not M technique	Diesel	RWD	1995	147	200	11.11-03.16	■
320 d xDrive (N47 D20 C)	discØ 312, Syst. Standard, not M technique	Diesel	4WD	1995	147	200	08.12-06.15	■
325 d (N47 D20 D)	discØ 330, Syst. Standard, not M technique	Diesel	RWD	1995	155	211	03.13-02.16	■
325 d (N47 D20 D)	discØ 330, Syst. Standard, not M technique	Diesel	RWD	1995	160	218	03.13-02.16	■
325 d (B47 D20 B)	discØ 330, Syst. Standard, not M technique	Diesel	RWD	1995	165	224	03.16-02.18	■

LISTA DE APLICACIONES - BUYERS GUIDE

330 d (N57 D30 A)	discØ 330, Syst. Standard, not M technique	Diesel	RWD	2993	190	258	07.12-10.18	■	
330 d xDrive (N57 D30 A)	not M technique, discØ 330, Syst. Standard	Diesel	4WD	2993	190	258	03.13-10.18	■	
330 d (N57 D30 A)	discØ 330, Syst. Standard, not M technique	Diesel	RWD	2993	210	286	07.12-10.18	■	
330 d xDrive (N57 D30 A)	discØ 330, Syst. Standard, not M technique	Diesel	4WD	2993	210	286	03.13-10.18	■	
3 Serie VI GRAN TURISMO (F34) 07.12-					Hatchback (Compact executive car-D Segment)				
328i (N20 B20 A)	not sports package, not Performance brak, not M technique	Gasolina	RWD	1997	180	245	03.13-06.16	■	
328i (N26 B20 A)	not sports package, not Performance brak, not M technique	Gasolina	RWD	1997	180	245	03.13-06.16	■	
328 i xDrive (N20 B20 A)	not sports package, not M technique	Gasolina	4WD	1997	180	245	07.13-06.16	■	
328 i xDrive (N26 B20 A)	not sports package, not M technique	Gasolina	4WD	1997	180	245	07.13-06.16	■	
330 i xDrive (B48 B20 B)	discØ 330, Syst. Standard, not M technique	Gasolina	4WD	1998	183	249	07.16-	■	
330i (B48 B20 B)	not sports package, not M technique	Gasolina	RWD	1998	185	252	07.16-	■	
330 i xDrive (B46 B20 B)	not sports package, not M technique	Gasolina	4WD	1998	185	252	07.16-	■	
330 i xDrive (B48 B20 B)	not sports package, not M technique	Gasolina	4WD	1998	185	252	07.16-	■	
320 d (B47 D20 A)	not sports package, not M technique	Diesel	RWD	1995	120	163	03.13-03.18	■	
320 d (N47 D20 C)	not sports package, not M technique	Diesel	RWD	1995	120	163	03.13-03.18	■	
320 d xDrive (B47 D20 A)	not sports package, not M technique	Diesel	4WD	1995	120	163	07.13-03.18	■	
320 d xDrive (N47 D20 C)	not sports package, not M technique	Diesel	4WD	1995	120	163	07.13-03.18	■	
320 d (N47 D20 C)	not M technique, not Performance brak, not sports package	Diesel	RWD	1995	135	184	03.13-06.15	■	
320 d xDrive (N47 D20 C)	not sports package, not M technique, not Performance brak	Diesel	4WD	1995	135	184	07.13-06.15	■	
320 d (B47 D20 A)	not sports package, not M technique	Diesel	RWD	1995	140	190	07.15-	■	
320 d xDrive (B47 D20 A)	not sports package, not M technique	Diesel	4WD	1995	140	190	07.15-	■	
320 d (N47 D20 C)	not sports package, not M technique	Diesel	RWD	1995	147	200	03.13-06.15	■	
320 d xDrive (N47 D20 C)	not sports package, not M technique	Diesel	4WD	1995	147	200	07.13-06.15	■	
325 d (N47 D20 D)	not sports package, not M technique, discØ 330	Diesel	RWD	1995	155	211	07.13-06.16	■	
325 d (N47 D20 D)	not sports package, not M technique	Diesel	RWD	1995	160	218	07.13-06.16	■	
325 d (B47 D20 B)	not sports package, not M technique	Diesel	RWD	1995	165	224	07.16-02.18	■	
330 d (N57 D30 A)	not M technique, not sports package	Diesel	RWD	2993	190	258	03.14-	■	
330 d xDrive (N57 D30 A)	not sports package, not M technique	Diesel	4WD	2993	190	258	03.14-	■	
330 d (N57 D30 A)	not sports package, not M technique	Diesel	RWD	2993	210	286	03.14-	■	
330 d xDrive (N57 D30 A)	not sports package, not M technique	Diesel	4WD	2993	210	286	03.14-	■	
3 Serie VI Touring (F31) 07.12-06.19					Estate (Compact executive car-D Segment)				
320i (N20 B20 B)	discØ 312, Syst. Standard, not M technique	Gasolina	RWD	1997	120	163	11.12-06.15	■	
320 i xDrive (N20 B20 B)	discØ 312, Syst. Standard, not M technique	Gasolina	4WD	1997	120	163	03.13-06.15	■	

LISTA DE APLICACIONES - BUYERS GUIDE

320i (N20 B20 B)	discØ 312, Syst. Standard, not M technique	Gasolina	RWD	1997	135	184	11.12-06.15	■	
320i xDrive (N20 B20 B)	discØ 312, Syst. Standard, not M technique	Gasolina	4WD	1997	135	184	03.13-06.15	■	
328i (N20 B20 A)	not sports package, discØ 330, Syst. Standard, not M technique	Gasolina	RWD	1997	180	245	07.12-06.15	■	
328i xDrive (N20 B20 A)	discØ 330, Syst. Standard, not M technique	Gasolina	4WD	1997	180	245	03.13-06.16	■	
330i (B48 B20 A)	not M technique, discØ 330, Syst. Standard	Gasolina	RWD	1998	185	252	07.15-06.19	■	
330i xDrive (B48 B20 A)	not M technique, discØ 330, Syst. Standard	Gasolina	4WD	1998	185	252	07.15-06.19	■	
330i xDrive (B48 B20 B)	not M technique, discØ 330, Syst. Standard	Gasolina	4WD	1998	185	252	07.15-06.19	■	
320d (B47 D20 A)	discØ 312, Syst. Standard	Diesel	RWD	1995	120	163	07.12-06.19	■	
320d (N47 D20 C)	discØ 312, Syst. Standard	Diesel	RWD	1995	120	163	07.12-06.19	■	
320d xDrive (B47 D20 A)	discØ 312, Syst. Standard, not M technique	Diesel	4WD	1995	120	163	03.13-06.19	■	
320d xDrive (N47 D20 C)	discØ 312, Syst. Standard, not M technique	Diesel	4WD	1995	120	163	03.13-06.19	■	
320d (N47 D20 C)	discØ 312, Syst. Standard	Diesel	RWD	1995	135	184	07.12-02.16	■	
320d xDrive (N47 D20 C)	discØ 312, Syst. Standard, not M technique	Diesel	4WD	1995	135	184	03.13-06.15	■	
320d (B47 D20 A)	not M technique, discØ 312, Syst. Standard	Diesel	RWD	1995	140	190	07.15-06.19	■	
320d xDrive (B47 D20 A)	not M technique, discØ 312, Syst. Standard	Diesel	4WD	1995	140	190	07.15-06.19	■	
320d (N47 D20 C)	discØ 312, Syst. Standard	Diesel	RWD	1995	147	200	07.12-02.16	■	
320d xDrive (N47 D20 C)	discØ 312, Syst. Standard, not M technique	Diesel	4WD	1995	147	200	03.13-06.15	■	
325d (N47 D20 D)	discØ 330, Syst. Standard, not M technique	Diesel	RWD	1995	155	211	03.13-02.16	■	
325d (N47 D20 D)	not M technique, discØ 330, Syst. Standard	Diesel	RWD	1995	160	218	03.13-02.16	■	
325d (B47 D20 B)	discØ 330, Syst. Standard, not M technique	Diesel	RWD	1995	165	224	03.16-02.18	■	
330d (N57 D30 A)	discØ 330, Syst. Standard, not M technique	Diesel	RWD	2993	190	258	07.12-06.19	■	
330d xDrive (N57 D30 A)	discØ 330, Syst. Standard, not M technique	Diesel	4WD	2993	190	258	03.13-06.19	■	
330d (N57 D30 A)	discØ 330, Syst. Standard, not M technique	Diesel	RWD	2993	210	286	07.12-06.19	■	
330d M Performance Power Kit xDrive (N57 D30 A)	discØ 330, Syst. Standard, not M technique	Diesel	4WD	2993	210	286	03.13-06.19	■	
3 Serie VI Touring Van (F31) 07.12-06.19					Estate Van (Compact executive car-D Segment)				
330i (B48 B20 A)	not M technique, discØ 330, Syst. Standard	Gasolina	RWD	1998	185	252	07.15-06.19	■	
330d (N57 D30 A)	discØ 330, Syst. Standard, not M technique	Diesel	RWD	2993	190	258	07.12-06.19	■	
330d xDrive (N57 D30 A)	discØ 330, Syst. Standard, not M technique	Diesel	4WD	2993	190	258	03.13-06.19	■	
4 Serie (F33, F83) 10.13-					Convertible (Compact executive car-D Segment)				
428i (N20 B20 A)	not M technique, discØ 330, Syst. Standard	Gasolina	RWD	1997	180	245	11.13-02.17	■	
428i (N26 B20 A)	not M technique, discØ 330, Syst. Standard	Gasolina	RWD	1997	180	245	11.13-02.17	■	
428i xDrive (N20 B20 A)	not M technique, discØ 330, Syst. Standard	Gasolina	4WD	1997	180	245	03.14-02.16	■	
428i xDrive (N26 B20 A)	not M technique, discØ 330, Syst. Standard	Gasolina	4WD	1997	180	245	03.14-02.16	■	
430i (B46 B20 B)	discØ 330, Syst. Standard, not M technique	Gasolina	RWD	1998	185	252	03.16-07.20	■	
430i (B48 B20 B)	discØ 330, Syst. Standard, not M technique	Gasolina	RWD	1998	185	252	03.16-07.20	■	
430i xDrive (B46 B20 B)	discØ 330, Syst. Standard, not M technique	Gasolina	4WD	1998	185	252	03.16-07.20	■	

LISTA DE APLICACIONES - BUYERS GUIDE

430 i xDrive (B48 B20 B)	discØ 330, Syst. Standard, not M technique	Gasolina	4WD	1998	185	252	03.16-07.20	■	
420 D (B47 D20 A)	not M technique, discØ 312, Syst. Standard	Diesel	RWD	1995	120	163	11.13-07.20	■	
420 D (N47 D20 C)	not M technique, discØ 312, Syst. Standard	Diesel	RWD	1995	120	163	11.13-07.20	■	
420 D (N47 D20 C)	not M technique, discØ 312, Syst. Standard	Diesel	RWD	1995	135	184	10.13-06.15	■	
420 D (B47 D20 A)	not M technique, discØ 312, Syst. Standard	Diesel	RWD	1995	140	190	07.15-07.20	■	
420 D (N47 D20 C)	not M technique, discØ 312, Syst. Standard	Diesel	RWD	1995	147	200	10.13-06.15	■	
420 D		Diesel	RWD	1995	151	205	07.15-07.20	■	
425 d (N47 D20 D)	not M technique, discØ 330, Syst. Standard	Diesel	RWD	1995	155	211	07.14-02.16	■	
425 d (N47 D20 D)	not M technique, discØ 330, Syst. Standard	Diesel	RWD	1995	160	218	07.14-02.16	■	
425 d (B47 D20 B)	not M technique, discØ 330, Syst. Standard	Diesel	RWD	1995	165	224	03.16-02.18	■	
430 d (N57 D30 A)	not M technique, discØ 330, Syst. Standard	Diesel	RWD	2993	190	258	07.14-07.20	■	
430 d (N57 D30 A)	not M technique, discØ 330, Syst. Standard	Diesel	RWD	2993	210	286	07.14-07.20	■	
4 Serie (F32, F82) 07.13-							Coupe (Compact executive car-D Segment)		
420 i (N20 B20 B)	not M technique, not Performance brak	Gasolina	RWD	1997	120	163	03.14-02.17	■	
420 i xDrive (N20 B20 B)	not M technique, not Performance brak	Gasolina	4WD	1997	120	163	07.14-02.16	■	
420 i (N20 B20 B)	not M technique, not Performance brak	Gasolina	RWD	1997	135	184	03.14-02.17	■	
428 i (N20 B20 A)	discØ 330, Syst. Standard, not M technique	Gasolina	RWD	1997	180	245	07.13-02.17	■	
428 i (N26 B20 A)	discØ 330, Syst. Standard, not M technique	Gasolina	RWD	1997	180	245	07.13-02.17	■	
428 i (N20 B20 A)	not M technique, discØ 330, Syst. Standard	Gasolina	RWD	1997	180	245	03.14-06.16	■	
428 i (N26 B20 A)	not M technique, discØ 330, Syst. Standard	Gasolina	RWD	1997	180	245	03.14-06.16	■	
428 i xDrive (N20 B20 A)	discØ 330, Syst. Standard, not M technique	Gasolina	4WD	1997	180	245	07.13-02.16	■	
428 i xDrive (N26 B20 A)	discØ 330, Syst. Standard, not M technique	Gasolina	4WD	1997	180	245	07.13-02.16	■	
428 i xDrive (N20 B20 A)	not M technique, discØ 330, Syst. Standard	Gasolina	4WD	1997	180	245	03.14-02.16	■	
428 i xDrive (N26 B20 A)	not M technique, discØ 330, Syst. Standard	Gasolina	4WD	1997	180	245	03.14-02.16	■	
430 i (B48 B20 B)	discØ 330, Syst. Standard, not M technique	Gasolina	RWD	1998	183	249	03.16-06.20	■	
430 i xDrive (B48 B20 B)	discØ 330, Syst. Standard, not M technique	Gasolina	4WD	1998	183	249	03.16-06.20	■	
430 i xDrive (B48 B20 B)	discØ 330, Syst. Standard, not M technique	Gasolina	4WD	1998	183	249	03.16-05.21	■	
430 i (B46 B20 B)	discØ 330, Syst. Standard, Japan, South Korea, North Korea, not M technique	Gasolina	RWD	1998	185	252	03.16-06.20	■	
430 i (B48 B20 B)	discØ 330, Syst. Standard, Japan, South Korea, North Korea, not M technique	Gasolina	RWD	1998	185	252	03.16-06.20	■	
430 i (B46 B20 B)	not sports package, not M technique, discØ 330, Syst. Standard	Gasolina	RWD	1998	185	252	03.16-05.21	■	
430 i (B48 B20 B)	not sports package, not M technique, discØ 330, Syst. Standard	Gasolina	RWD	1998	185	252	03.16-05.21	■	
430 i xDrive (B46 B20 B)	discØ 330, Syst. Standard, Japan, North Korea, South Korea, not M technique	Gasolina	4WD	1998	185	252	03.16-06.20	■	
430 i xDrive (B48 B20 B)	discØ 330, Syst. Standard, Japan, North Korea, South Korea, not M technique	Gasolina	4WD	1998	185	252	03.16-06.20	■	

LISTA DE APLICACIONES - BUYERS GUIDE

430 i xDrive (B46 B20 B)	not sports package, not M technique, discØ 330, Syst. Standard	Gasolina	4WD	1998	185	252	03.16-05.21	■
430 i xDrive (B48 B20 B)	not sports package, not M technique, discØ 330, Syst. Standard	Gasolina	4WD	1998	185	252	03.16-05.21	■
435 i (N55 B30 A)		Gasolina	RWD	2979	250	340	07.13-02.16	■
435 i xDrive (N55 B30 A)		Gasolina	4WD	2979	250	340	07.13-02.16	■
420 D (B47 D20 A)	not M technique, discØ 312, Syst. Standard	Diesel	RWD	1995	120	163	07.13-06.20	■
420 D (N47 D20 C)	not M technique, discØ 312, Syst. Standard	Diesel	RWD	1995	120	163	07.13-06.20	■
420 D (B47 D20 A)	not M technique, discØ 312, Syst. Standard, SA L802A, SA L807A	Diesel	RWD	1995	120	163	03.14-12.20	■
420 D (N47 D20 C)	not M technique, discØ 312, Syst. Standard, SA L802A, SA L807A	Diesel	RWD	1995	120	163	03.14-12.20	■
420 d xDrive (B47 D20 A)	not M technique, discØ 312, Syst. Standard, Japan	Diesel	4WD	1995	120	163	11.13-06.20	■
420 d xDrive (N47 D20 C)	not M technique, discØ 312, Syst. Standard, Japan	Diesel	4WD	1995	120	163	11.13-06.20	■
420 d xDrive (B47 D20 A)	not M technique, discØ 312, Syst. Standard, SA L802A, SA L807A	Diesel	4WD	1995	120	163	03.14-12.20	■
420 d xDrive (N47 D20 C)	not M technique, discØ 312, Syst. Standard, SA L802A, SA L807A	Diesel	4WD	1995	120	163	03.14-12.20	■
420 D (N47 D20 C)	not M technique, discØ 312, Syst. Standard	Diesel	RWD	1995	135	184	07.13-02.15	■
420 D (N47 D20 C)	not M technique, Syst. Standard, SA L802A, discØ 312	Diesel	RWD	1995	135	184	03.14-02.15	■
420 d xDrive (N47 D20 C)	not M technique, discØ 312, Syst. Standard	Diesel	4WD	1995	135	184	11.13-02.15	■
420 d xDrive (N47 D20 C)	not M technique, Syst. Standard, SA L802A, discØ 312	Diesel	4WD	1995	135	184	03.14-02.15	■
420 D (B47 D20 A)	not M technique, discØ 312, Syst. Standard	Diesel	RWD	1995	140	190	03.15-06.20	■
420 D (B47 D20 A)	discØ 312, Syst. Standard, SA L802A, SA L807A, not M technique	Diesel	RWD	1995	140	190	03.15-12.20	■
420 d xDrive (B47 D20 A)	not M technique, Syst. Standard, Japan, discØ 312	Diesel	4WD	1995	140	190	03.15-06.20	■
420 d xDrive (B47 D20 A)	not M technique, discØ 312, Syst. Standard, SA L802A, SA L807A	Diesel	4WD	1995	140	190	03.15-12.20	■
420 D (N47 D20 C)	not M technique, discØ 312, Syst. Standard	Diesel	RWD	1995	147	200	07.13-03.15	■
420 D (N47 D20 C)	not M technique, discØ 312, Syst. Standard, SA L802A	Diesel	RWD	1995	147	200	03.14-02.15	■
420 d xDrive (N47 D20 C)	not M technique, discØ 312, Syst. Standard	Diesel	4WD	1995	147	200	11.13-03.15	■
420 d xDrive (N47 D20 C)	not M technique, discØ 312, Syst. Standard, SA L802A	Diesel	4WD	1995	147	200	03.14-02.15	■
425 d (N47 D20 D)	Eq.V_ M-SportBremse, discØ 330, Syst. Standard, not M technique	Diesel	RWD	1995	155	211	03.14-02.16	■
425 d (B47 D20 B)	not M technique, discØ 330, Syst. Standard	Diesel	RWD	1995	155	211	03.16-02.18	■
425 d (N47 D20 D)	Eq.V_ M-SportBremse, discØ 330, Syst. Standard, not M technique	Diesel	RWD	1995	160	218	03.14-02.16	■
425 d (B47 D20 B)	Eq.V_ M-SportBremse, discØ 330, Syst. Standard, not M technique	Diesel	RWD	1995	165	224	03.16-10.17	■
425 d (B47 D20 B)	not M technique, discØ 330, Syst. Standard	Diesel	RWD	1995	165	224	03.16-02.18	■
430 d (N57 D30 A)	not M technique, discØ 330, Syst. Standard	Diesel	RWD	2993	190	258	11.13-06.20	■
430 d (N57 D30 A)	discØ 330, Syst. Standard, not M technique	Diesel	RWD	2993	190	258	07.14-12.20	■

LISTA DE APLICACIONES - BUYERS GUIDE

430 d xDrive (N57 D30 A)	Eq.V_M-SportBremse, discØ 330, Syst. Standard, not M technique	Diesel	4WD	2993	190	258	03.14-06.20	■	
430 d xDrive (N57 D30 A)	discØ 330, Syst. Standard, not M technique	Diesel	4WD	2993	190	258	07.14-12.20	■	
430 d (N57 D30 A)	not M technique, discØ 330, Syst. Standard	Diesel	RWD	2993	210	286	11.13-06.20	■	
430 d (N57 D30 A)	discØ 330, Syst. Standard, not M technique	Diesel	RWD	2993	210	286	07.14-12.20	■	
430 d xDrive (N57 D30 A)	discØ 330, Syst. Standard, not M technique	Diesel	4WD	2993	210	286	03.14-06.20	■	
430 d xDrive (N57 D30 A)	discØ 330, Syst. Standard, not M technique	Diesel	4WD	2993	210	286	07.14-12.20	■	
435 d xDrive (N57 D30 B)		Diesel	4WD	2993	230	313	11.13-06.20	■	
X3 (E83) 01.03-12.11					SUV (Luxury Crossover SUV-J Segment)				
xDrive20i (N46 B20 B)	01/10-	Gasolina	4WD	1995	110	150	09.08-08.11	■	
X3 II (U.S.A.) 09.10-					Closed Off-Road Vehicle (Luxury Crossover SUV-J Segment)				
xDrive 30 i		Gasolina	FWD				09.08-	■	
X3 II (F25) 09.10-					SUV (Luxury Crossover SUV-J Segment)				
sDrive20i (N20 B16 A)	discØ 328	Gasolina	RWD	1592	125	170	04.14-08.17	■	
xDrive20i		Gasolina	FWD	1995	110	150	04.13-	■	
sDrive20i (N20 B20 A)	discØ 328	Gasolina	RWD	1997	135	184	04.14-08.17	■	
xDrive20i (N20 B20 A)	discØ 328	Gasolina	4WD	1997	135	184	10.11-08.17	■	
sDrive28i (N20 B20 A)		Gasolina	RWD	1997	180	245	04.14-08.17	■	
xDrive28i (N20 B20 A)	discØ 328	Gasolina	4WD	1997	180	245	04.12-08.17	■	
xDrive 35 i (N55 B30 A)	discØ 328	Gasolina	4WD	2979	225	306	09.10-08.17	■	
xDrive28i (N52 B30 A)	discØ 328	Gasolina	4WD	2996	190	258	01.11-10.12	■	
xDrive28i (N52 B30 AF)	discØ 328	Gasolina	4WD	2996	190	258	01.11-10.12	■	
xDrive28i (N52 B30 BF)	discØ 328	Gasolina	4WD	2996	190	258	01.11-10.12	■	
sDrive 18 d (N47 D20 C)	discØ 328	Diesel	RWD	1995	100	136	10.12-03.14	■	
sDrive 18 d (N47 D20 C)	discØ 328	Diesel	RWD	1995	105	143	10.12-03.14	■	
sDrive 18 d (B47 D20 A)	discØ 328	Diesel	RWD	1995	110	150	04.14-08.17	■	
xDrive 20 d (N47 D20 C)	01/12-, discØ 328	Diesel	4WD	1995	120	163	09.10-08.17	■	
xDrive 28 d		Diesel	4WD	1995	134	182	09.14-	■	
xDrive 20 d (N47 D20 C)	discØ 328	Diesel	4WD	1995	135	184	09.10-03.14	■	
xDrive 20 d (B47 D20 A)	discØ 328	Diesel	4WD	1995	140	190	04.14-08.17	■	
xDrive 30 d (N57 D30 A)	discØ 328	Diesel	4WD	2993	155	211	04.11-08.17	■	
xDrive 30 d (N57 D30 A)	discØ 328	Diesel	4WD	2993	183	249	06.11-08.17	■	
xDrive 30 d (N57 D30 A)	discØ 328	Diesel	4WD	2993	190	258	04.11-08.17	■	
xDrive 30 d (N57 D30 A)	discØ 328	Diesel	4WD	2993	204	277	06.16-08.17	■	
xDrive 30 d (N57 D30 A)	discØ 328	Diesel	4WD	2993	210	286	04.11-05.16	■	
xDrive 35 d (N57 D30 B)	discØ 328	Diesel	4WD	2993	230	313	10.11-08.17	■	
X4 (F26) 05.13-					SUV (Luxury Crossover SUV-J Segment)				
xDrive20i (N20 B20 A)		Gasolina	4WD	1997	135	184	04.14-03.18	■	
xDrive28i (N20 B20 A)		Gasolina	4WD	1997	179	243	04.14-03.18	■	
xDrive28i (N20 B20 A)		Gasolina	4WD	1997	180	245	04.14-03.18	■	
xDrive 35 i (N55 B30 A)		Gasolina	4WD	2979	224	305	01.15-03.18	■	
xDrive 35 i (N55 B30 A)		Gasolina	4WD	2979	225	306	04.14-03.18	■	
M40 i (N55 B30 A)		Gasolina	4WD	2979	265	360	12.15-03.18	■	
xDrive 20 d (B47 D20 A)		Diesel	4WD	1995	120	163	04.14-03.18	■	
xDrive 20 d (B47 D20 A)		Diesel	4WD	1995	140	190	04.14-03.18	■	
xDrive 30 d (N57 D30 A)		Diesel	4WD	2993	155	211	04.14-03.18	■	
xDrive 30 d (N57 D30 A)		Diesel	4WD	2993	183	249	04.15-03.18	■	

LISTA DE APLICACIONES - BUYERS GUIDE

xDrive 30 d (N57 D30 A)		Diesel	4WD	2993	190	258	04.14-03.18	■
xDrive 30 d (N57 D30 A)	discØ 328	Diesel	4WD	2993	204	277	04.14-03.18	■
xDrive 30 d (N57 D30 A)		Diesel	4WD	2993	210	286	04.14-03.18	■
xDrive 35 d (N57 D30 B)		Diesel	4WD	2993	230	313	04.14-03.18	■

BMW (BRILLIANCE)

3 SERIES VI (F30, F35) 07.12-				Saloon (Compact executive car-D Segment)				
328 i / Li		Gasolina	FWD	1997	180	245	05.14-	■
328 Li	not sports package	Gasolina	FWD	1997	180	245	07.12-	■
328 Li		Gasolina	FWD	1997	180	245	05.14-	■
320 Li xDrive (B48 B20 C)		Gasolina	RWD	1998	135	184	01.17-	■
330 Li xDriver (B48 B20 D)		Gasolina	RWD	1998	185	252	01.17-	■