

LISTA DE APLICACIONES - BUYERS GUIDE

182023

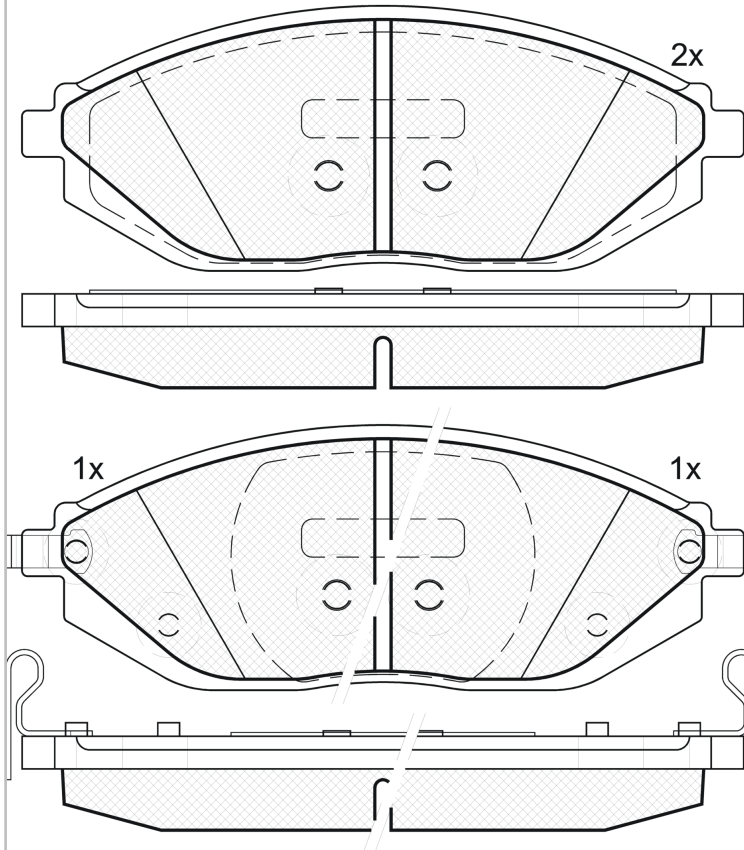


8 424073 104878

Qty: 300

Weight: 1.395

O.E.M.	MAKE
42785996	CHEVROLET
9668 2858	CHEVROLET



182023

E 9 90R-01111/3168



ERA

133.1x48.9x18

WVA	FMSI
25268	D1590-8801
25269	
25270	
MAKE	
CHEVROLET	
CHEVROLET (SGMW)	



Trac.	CC	Kw	CV



CHEVROLET

SPARK III / BEAT / MATIZ (M300) 12.09-

Hatchback (City car-A Segment)

Model	Year	Fuel	Trac.	CC	Kw	CV	Date	Availability
EV		Gasolina	FWD			97	132 09.13-	■
1.0 (LMT)	-01/13	Gasolina	FWD	995	50	68	03.10-	■
1.2		Gasolina	FWD	1199	59	80	12.09-09.12	■
1.2 LPG	-01/13	Gasolina	FWD	1199	59	80	01.11-	■
1.2	-01/13	Gasolina	FWD	1199	61	83	01.11-	■
1.2 (LMU)	-01/13	Gasolina	FWD	1206	60	82	03.10-	■
1.2 (LLO)	-01/13	Gasolina	FWD	1249	64	87	01.12-	■
1.0 LPG (LMT)	-01/13	Gasol./Gas (LPG)	FWD	995	48	65	07.10-	■
1.0 LPG (LMT)	-01/13	Gasol./Gas (LPG)	FWD	995	50	68	03.10-	■
1.2 LPG (LMU)	-01/13	Gasol./Gas (LPG)	FWD	1206	60	82	03.10-	■
EV		Eléctrico	FWD		105	143	09.13-12.16	■
1.0 D	-01/13	Diesel	RWD	936	46	63	01.12-	■

CHEVROLET (SGMW)

SPARK (KSC) 11.02-12.12

Hatchback (City car-A Segment)

1.2		Gasolina	FWD	1206	63	86	12.08-	■
-----	--	----------	-----	------	----	----	--------	---