

LISTA DE APLICACIONES - BUYERS GUIDE

182025

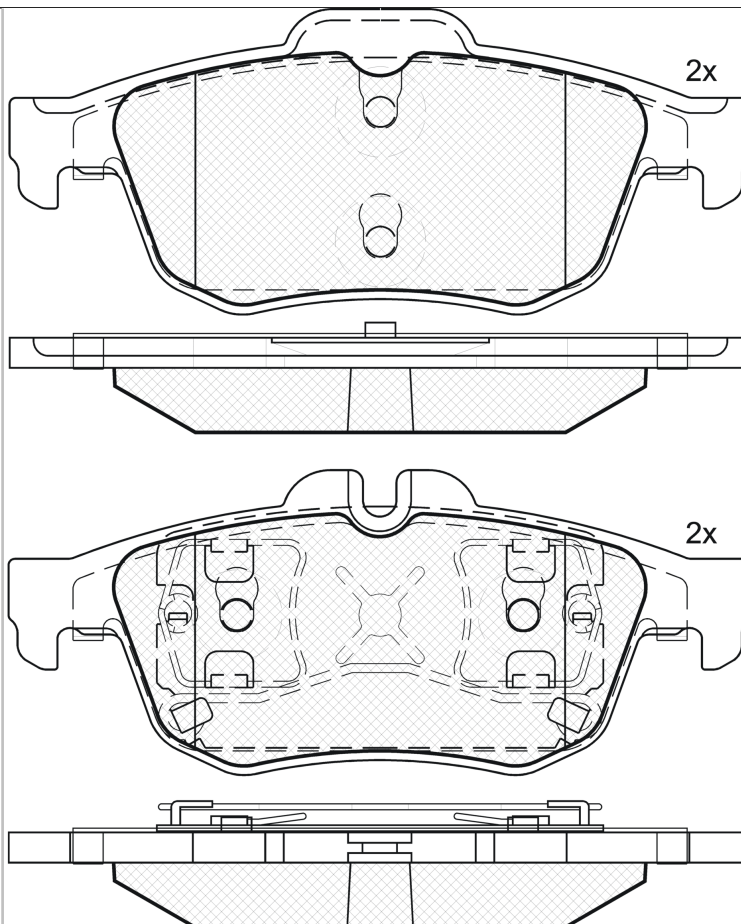


8 424073 104885

Qty: 300

Weight: 1.025

O.E.M.	MAKE
44 06 021 54R	RENAULT
44 06 082 81R	RENAULT



182025

E 9 90R-01111/3138



Ate - Teves

123x50.7x17

123.1x50.6x17

WVA	FMSI
25265	D1757-8985
25266	
MAKE	
RENAULT	
RENAULT SAMSUNG	
SAMSUNG	



Trac.	CC	Kw	CV			Front / Rear
-------	----	----	----	--	--	--------------

RENAULT

LATITUDE (L70_) 07.10-							Saloon (Large family car-D Segment)	
1.6 RS (L705)		Gasolina	FWD	1618	132	180	04.14-	■
2.0 16V (M4R 746)		Gasolina	FWD	1997	102	139	02.11-	■
2.0 16V (L70B) (M4R 746)	-06/13	Gasolina	FWD	1997	103	140	02.11-	■
2.5 V6 (L702, L703, L704, L707) (2ZV 604)		Gasolina	FWD	2495	130	177	05.11-	■
2.0 16V eco2 Flexfuel (L70B) (M4R 746)		Gasol./Etanol	FWD	1997	103	140	02.11-	■
1.5 dCi (L70R, L731) (K9K 782)	02/11-, -06/13	Diesel	FWD	1461	81	110	07.10-	■
1.5 dCi (L70R, L731) (K9K 849)	02/11-, -06/13	Diesel	FWD	1461	81	110	07.10-	■
2.0 dCi 130 (M9R 756)		Diesel	FWD	1995	96	131	12.13-	■
2.0 dCi 150 (L70H) (M9R 824)	-06/13	Diesel	FWD	1995	110	150	02.11-	■
2.0 dCi 150 (L70H) (M9R 846)	-06/13	Diesel	FWD	1995	110	150	02.11-	■
2.0 dCi 175 (L70Y, L734) (M9R 804)	-06/13	Diesel	FWD	1995	127	173	05.11-	■
2.0 dCi 175 (L70Y, L734) (M9R 817)	-06/13	Diesel	FWD	1995	127	173	05.11-	■
2.0 dCi 175 (L70Y, L734) (M9R 844)	-06/13	Diesel	FWD	1995	127	173	05.11-	■
2.0 dCi	-06/13	Diesel	FWD	1995	130	177	02.11-	■
2.5 dCi		Diesel	RWD	2496	133	181	05.11-	■
3.0 dCi 240 (L70G) (V9X 891)	-06/13	Diesel	FWD	2998	177	241	02.11-	■
SAFRANE III (A3_, L7_) 01.09-							Saloon (Executive car-E Segment)	
2.3	Eq.V_ Latinamerica	Gasolina	FWD	2349	176	239	02.09-	■
3.5	Eq.V_ Latinamerica	Gasolina	FWD	3498	176	239	01.11-	■
TALISMAN (L47) 04.12-							Saloon ()	
2.5		Gasolina	FWD	2495	140	190	04.12-	■
3.5		Gasolina	FWD	3498	190	258	04.12-	■

LISTA DE APLICACIONES - BUYERS GUIDE

TALISMAN / Samsung SM6 (LP_) 06.15-					Saloon (Large family car-D Segment)			
1.3 TCe 160 (LPNC) (H5H 470)	Gasolina	FWD	1332	117	160	01.19-03.22	■	
1.6 TCe 150 (M5M 450)	Gasolina	FWD	1618	110	150	11.15-03.22	■	
1.6 TCe 190 (M5M 450)	Gasolina	FWD	1618	140	190	11.15-03.22	■	
1.6 TCe 200 (M5M 450)	Gasolina	FWD	1618	147	200	11.15-03.22	■	
1.8 TCe 225 (LPM1) (M5P 403)	Gasolina	FWD	1798	165	224	09.18-03.22	■	
2.0 (M4R 735)	Gasolina	FWD	1997	103	140	11.15-03.22	■	
2.0 (M4R 739)	Gasolina	FWD	1997	103	140	11.15-03.22	■	
1.5 dCi 110 (LPA3) (K9K 646)	Diesel	FWD	1461	81	110	11.15-03.22	■	
1.5 dCi 110 (LPA3) (K9K 647)	Diesel	FWD	1461	81	110	11.15-03.22	■	
1.6 dCi 130 (R9M 409)	Diesel	FWD	1598	96	130	11.15-03.22	■	
1.6 dCi 160 (R9M 452)	Diesel	FWD	1598	118	160	06.15-03.22	■	
1.6 dCi 160 (R9M 453)	Diesel	FWD	1598	118	160	06.15-03.22	■	
2.0 Blue dCi 160 (LPAM) (M9R 650)	Diesel	FWD	1997	118	160	01.19-03.22	■	
2.0 Blue dCi 200 (LPAL) (M9R 650)	Diesel	FWD	1997	147	200	01.19-03.22	■	
TALISMAN Grandtour / Samsung SM6 (KP_) 03.16-					Estate (Large family car-D Segment)			
1.3 TCe 160 (KPNC) (H5H 470)	Gasolina	FWD	1332	117	160	01.19-03.22	■	
1.6 TCe 150 (M5M 450)	Gasolina	FWD	1618	110	150	03.16-03.22	■	
1.6 TCe 200 (M5M 450)	Gasolina	FWD	1618	147	200	03.16-03.22	■	
1.8 TCe 225 (KPM1) (M5P 403)	Gasolina	FWD	1798	165	224	09.18-03.22	■	
1.5 dCi 110 (K9K 646)	Diesel	FWD	1461	81	110	03.16-03.22	■	
1.5 dCi 110 (K9K 647)	Diesel	FWD	1461	81	110	03.16-03.22	■	
1.5 dCi 110 (K9K 648)	Diesel	FWD	1461	81	110	03.16-03.22	■	
1.5 dCi 110 (K9K 649)	Diesel	FWD	1461	81	110	03.16-03.22	■	
1.6 dCi 130 (R9M 409)	Diesel	FWD	1598	96	130	03.16-03.22	■	
1.6 dCi 160 (R9M 452)	Diesel	FWD	1598	118	160	03.16-03.22	■	
1.6 dCi 160 (R9M 453)	Diesel	FWD	1598	118	160	03.16-03.22	■	
2.0 Blue dCi 160 (KPAM) (M9R 650)	Diesel	FWD	1997	118	160	01.19-03.22	■	
2.0 Blue dCi 200 (KPAL) (M9R 650)	Diesel	FWD	1997	147	200	01.19-03.22	■	
RENAULT SAMSUNG								
QM5 12.06-					Closed Off-Road Vehicle (Compact SUV-J Segment)			
2.0 dCi	Diesel	RWD	1995	127	173	09.07-	■	
SAMSUNG								
QM5 12.06-					SUV (Compact SUV-J Segment)			
2.5	Gasolina	FWD	2488	126	171	12.06-	■	
2.5	Gasolina	FWD	2488	126	171	12.06-	■	
2.0 dCi	Diesel	FWD	1995	110	150	12.06-	■	
2.0 dCi	Diesel	RWD	1995	110	150	12.06-	■	
2.0 dCi (M9R 760)	Diesel	FWD	1995	127	173	12.06-	■	
2.0 dCi	Diesel	RWD	1995	127	173	12.06-	■	