

# LISTA DE APLICACIONES - BUYERS GUIDE

## 182029-234

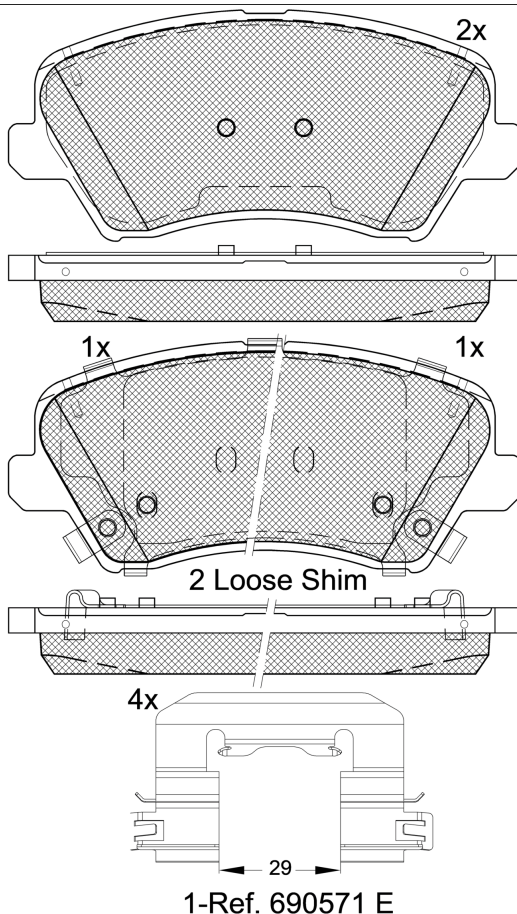


8 424073 180315

Qty: 300

Weight: 1.820

O.E.M.	MAKE
58101-G4A05	HYUNDAI
58101-J3A00	HYUNDAI



1-Ref. 690571 E

## 182029-234

**E 9** 90R-02A0111/5478



Mando

132.6x59.8x18.4

<b>FMSI</b>
D1828-8810
<b>MAKE</b>
HYUNDAI
KIA



Trac.	CC	Kw	CV
-------	----	----	----



Front / Rear

### HYUNDAI

							<b>Hatchback (Compact car-C Segment)</b>					
<b>i30 III (PDE, PD, PDEN) 11.16-</b>												
1.4 MPI (G4LC)	Rim 15	Gasolina	FWD	1368	74	100	11.16-12.20					
1.5 (G4LG)	Rim 15	Gasolina	FWD	1498	81	110	06.20-					
<b>i30 III CW (PDE) 03.17-</b>							<b>Estate (Compact car-C Segment)</b>					
1.4 MPI (G4LC)	Rim 15	Gasolina	FWD	1368	73	100	05.17-					
1.4 MPI	Rim 15	Gasolina	FWD	1368	74	101	03.17-12.20					
1.5 (G4LG)	Rim 15	Gasolina	FWD	1498	81	110	06.20-					
<b>VELOSTER II (JS, JSN) 01.18-</b>							<b>Coupe (Supermini car-B Segment)</b>					
1.4 T-GDI		Gasolina	FWD	1353	103	140	01.18-					

### KIA

							<b>Hatchback (Compact car-C Segment)</b>					
<b>CEE'D III (CD) 03.18-</b>												
1.4 (G4LC)	Rim 15	Gasolina	FWD	1368	73	99	03.18-12.20					
1.4 LPG (G4LC)	Rim 15	Gasol./Gas (LPG)	FWD	1368	71	97	12.18-12.20					
<b>CEE'D III Sport Wagon (CD) 03.18-</b>							<b>Estate (Compact car-C Segment)</b>					
1.4 (G4LC)	Rim 15	Gasolina	FWD	1368	73	99	04.18-12.20					
1.4 LPG (G4LC)	Rim 15	Gasol./Gas (LPG)	FWD	1368	71	97	12.18-12.20					