

# LISTA DE APLICACIONES - BUYERS GUIDE

## 182032

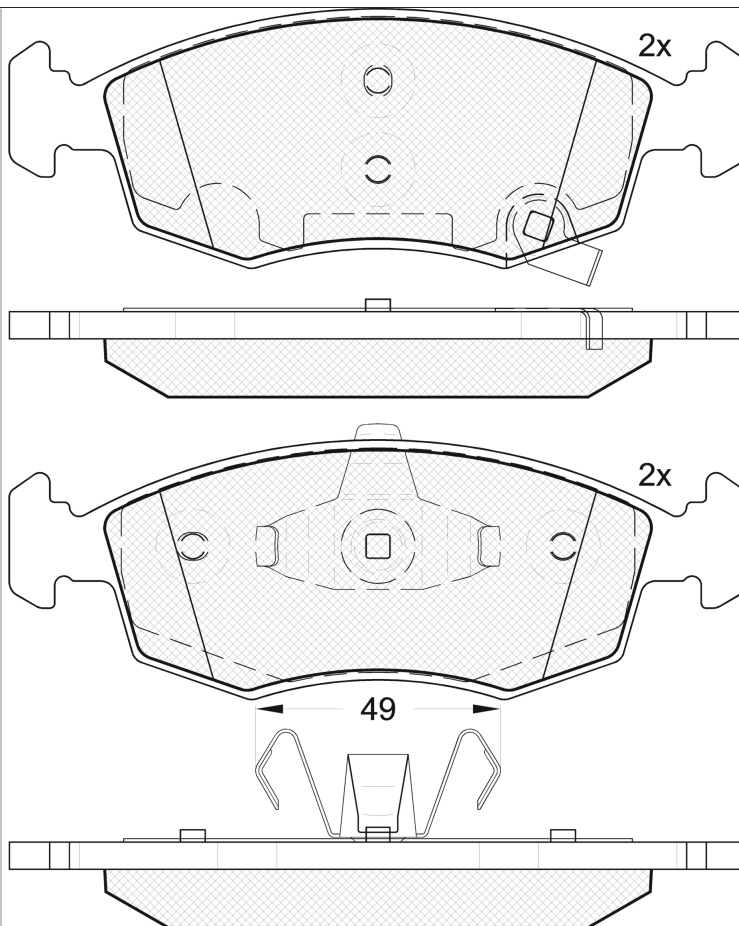


8 424073 105097

Qty: 300

Weight: 1.518

O.E.M.	MAKE
6 001 073 454	FIAT
7 736 592 7	LANCIA
7 736 594 5	LANCIA
7 736 621 2	LANCIA
7 736 627 4	FIAT
7 736 637 8	LANCIA



## 182032



**E 90R-02A0111/3300**

Ate - Teves

149.4x52.6x17.3

WVA	FMSI
25323	D1568-8777
25324	
MAKE	
CHRYSLER	
FIAT	
LANCIA	



Trac.	CC	Kw	CV



Front / Rear

### CHRYSLER

YPSILON 05.11-	Hatchback (Supermini car-B Segment)
0.9 Twinair (312 A2.000)	Gasolina FWD 875 63 86 05.11-12.18 ■
1.2 (169 A4.000)	Gasolina FWD 1242 51 69 05.11-12.21 ■
1.3 Multijet (199 B1.000)	Diesel FWD 1248 70 95 05.11- ■

### FIAT

500 II (312_) 07.07-	Hatchback (City car-A Segment)
0.9 (312AXN1A) (312 A5.000)	Gasolina FWD 875 59 80 12.13- ■
0.9 (312AXG1A, 312.AXG11) (312 A2.000)	Gasolina FWD 875 63 86 07.10- ■
0.9 (312AXP1A) (312 A4.000)	Gasolina FWD 964 44 60 12.13- ■
0.9 (312AXP1A) (312 A6.000)	Gasolina FWD 964 44 60 12.13- ■
0.9 (312AXH1A) (312 A4.000)	Gasolina FWD 964 48 65 09.12- ■

500 C II (312_) 09.09-	Convertible (City car-A Segment)
0.9 (312AXN1A, 312AXN11) (312 A5.000)	Gasolina FWD 875 59 80 12.13- ■
0.9 (312AG1A) (312 A2.000)	Gasolina FWD 875 63 86 09.09- ■
0.9 (312AXP1A) (312 A6.000)	Gasolina FWD 964 44 60 12.13- ■
0.9 (312AXH1A) (312 A4.000)	Gasolina FWD 964 48 65 09.12- ■

PANDA III (312_, 319_) 02.12-	Hatchback (City car-A Segment)
0.9 (312PXN1A, 312PXN11) (312 A2.000)	Gasolina FWD 875 57 78 02.12- ■
0.9 (312PXN1A, 312PXN11) (312 A7.000)	Gasolina FWD 875 57 78 02.12- ■
0.9 (312PXN1A, 312PXN11) (312 A5.000)	Gasolina FWD 875 59 80 12.13- ■
0.9 (312PXG1A) (312 A2.000)	Gasolina FWD 875 63 86 02.12- ■
0.9 4x4 (312PXG1A) (312 A2.000)	Gasolina 4WD 875 63 86 09.12- ■
0.9 4x4 (312PXR2B) (312 A2.000)	Gasolina 4WD 875 66 90 06.14- ■

# LISTA DE APLICACIONES - BUYERS GUIDE

0.9 4x4 (312PXR2B) (312 A7.000)	Gasolina	4WD	875	66	90	06.14-	■	
0.9 (312PXP1A) (312 A4.000)	Gasolina	FWD	964	44	60	12.13-	■	
0.9 (312PXP1A) (312 A6.000)	Gasolina	FWD	964	44	60	12.13-	■	
0.9 (312PXH1A) (312 A4.000)	Gasolina	FWD	964	48	65	02.12-	■	
1.2 (312PXA1A) (169 A4.000)	Gasolina	FWD	1242	51	69	02.12-	■	
1.2 LPG (312PXA1A) (169 A4.000)	Gasol./Gas (LPG)	FWD	1242	51	69	06.12-	■	
0.9 Natural Power (312PXN1A) (463 37 566)	Gasol./Gas (CNG)	FWD	875	51	69	03.19-	■	
0.9 Natural Power (312PXN1A) (312 A2.000)	Gasol./Gas (CNG)	FWD	875	59	80	01.15-	■	
0.9 Natural Power (312PXN1A) (312 A2.000)	Gasol./Gas (CNG)	FWD	875	63	86	07.12-	■	
1.3 D Multijet (312PXL1A) (199 A1.000)	Diesel	FWD	1248	55	75	02.12-	■	
1.3 D Multijet (312PXL1A) (199 A9.000)	Diesel	FWD	1248	55	75	02.12-	■	
1.3 D Multijet 4x4 (312PXU1A) (199 A1.000)	Diesel	4WD	1248	55	75	06.12-	■	
1.3 D Multijet 4x4 (312PXU1A) (199 A9.000)	Diesel	4WD	1248	55	75	06.12-	■	
1.3 D Multijet 4x4 (312PXU1A) (199 A9.000)	Diesel	4WD	1248	59	80	06.14-	■	
1.3 D Multijet 4x4 (312PXU1A) (225 A2.000)	Diesel	4WD	1248	59	80	06.14-	■	
1.3 D Multijet 4x4 (312PXU1A) (312 A8.000)	Diesel	4WD	1248	59	80	06.14-	■	
1.3 D Multijet 4x4 (312PXU1A) (312 B2.000)	Diesel	4WD	1248	59	80	06.14-	■	
1.3 D Multijet (312PXU1A, 312PXW1A) (199 B1.000)	Diesel	FWD	1248	70	95	04.15-	■	
1.3 D Multijet (312PXU1A, 312PXW1A) (312 B1.000)	Diesel	FWD	1248	70	95	04.15-	■	
1.3 D Multijet (312PXU1A, 312PXW1A) (330 A1.000)	Diesel	FWD	1248	70	95	04.15-	■	
1.3 D Multijet 4x4 (312PXU1A) (199 B1.000)	Diesel	4WD	1248	70	95	04.15-	■	
1.3 D Multijet 4x4 (312PXU1A) (312 B1.000)	Diesel	4WD	1248	70	95	04.15-	■	
1.3 D Multijet 4x4 (312PXU1A) (330 A1.000)	Diesel	4WD	1248	70	95	04.15-	■	
<b>PANDA III VAN (312_, 519_) 02.12-</b>					<b>Hatchback Van (LCVs-N1 Segment)</b>			
0.9 (312.PXN1A) (312 A2.000)	Gasolina	FWD	875	59	80	11.13-	■	
0.9 (312DXG1A) (312 A2.000)	Gasolina	FWD	875	63	86	02.12-	■	
0.9 4x4 (312CXG2B) (312 A2.000)	Gasolina	4WD	875	63	86	09.12-	■	
0.9 (312CXH1A, 312DXH1A) (312 A4.000)	Gasolina	FWD	964	48	65	02.12-	■	
1.2 (312CXA1A, 312DXA1A) (169 A4.000)	Gasolina	FWD	1242	51	69	02.12-	■	
1.2 LPG (312CXA1A) (169 A4.000)	Gasol./Gas (LPG)	FWD	1242	51	69	06.12-	■	
0.9 Natural Power (312CXG1A) (312 A2.000)	Gasol./Gas (CNG)	FWD	875	59	80	01.15-	■	
0.9 Natural Power (312DXG1A) (312 A2.000)	Gasol./Gas (CNG)	FWD	875	63	86	07.12-	■	
1.3 D Multijet (312CXL1A, 312DXL1A) (199 A9.000)	Diesel	FWD	1248	55	75	02.12-	■	
1.3 D Multijet 4x4 (312CXL2A) (199 A9.000)	Diesel	4WD	1248	55	75	06.12-	■	
1.3 D Multijet (312PXS2A) (225 A2.000)	Diesel	FWD	1248	59	80	12.15-	■	
1.3 D Multijet (312PXS2A) (312 A8.000)	Diesel	FWD	1248	59	80	12.15-	■	
1.3 D Multijet (312PXS2A) (312 B2.000)	Diesel	FWD	1248	59	80	12.15-	■	
1.3 D Multijet 4x4 (312PXU1A) (225 A2.000)	Diesel	4WD	1248	59	80	06.14-	■	
<b>LANCIA</b>								
<b>YPSILON II (843_) 10.03-12.11</b>					<b>Hatchback (Supermini car-B Segment)</b>			
1.2 (843.AXL1A) (169 A4.000)	Gasolina	FWD	1242	51	69	08.10-12.11	■	

# LISTA DE APLICACIONES - BUYERS GUIDE

<b>YPSILON III (312_) 05.11-</b>					<b>Hatchback (Supermini car-B Segment)</b>			
0.9 TwinAir (312.YXN11, 312.YXN1A) (312 A2.000)	Gasolina	FWD	875	59	80	12.13-12.18	■	
0.9 TwinAir (312.YXN11, 312.YXN1A) (312 A5.000)	Gasolina	FWD	875	59	80	12.13-12.18	■	
0.9 TwinAir (312.PXG11, 312.PXG1A, 312.YXG11, 312.YXG1A) (312 A2.000)	Gasolina	FWD	875	63	86	05.11-12.18	■	
1.2 (312.PXA1A, 312.YXA1A) (169 A4.000)	Gasolina	FWD	1242	51	69	05.11-12.21	■	
1.2 Bi-fuel (312.YXA1A) (169 A4.000)	Gasol./Gas (LPG)	FWD	1242	49	67	05.11-	■	
1.2 Bi-fuel (312.YXA1A) (169 A4.000)	Gasol./Gas (LPG)	FWD	1242	51	69	05.11-	■	
0.9 CNG (312.YXN1A) (312 A5.000)	Gasol./Gas (CNG)	FWD	875	59	80	01.14-	■	
0.9 CNG (312.YXG1A) (312 A2.000)	Gasol./Gas (CNG)	FWD	875	63	86	05.11-	■	
1.3 D Multijet	Diesel	FWD	1248	57	78	06.16-	■	
1.3 D Multijet (312.YXE1A, 312.YXU1A) (199 B1.000)	Diesel	FWD	1248	70	95	05.11-08.18	■	
1.3 D Multijet (312.YXE1A, 312.YXU1A) (312 B1.000)	Diesel	FWD	1248	70	95	05.11-08.18	■	