

LISTA DE APLICACIONES - BUYERS GUIDE

182035

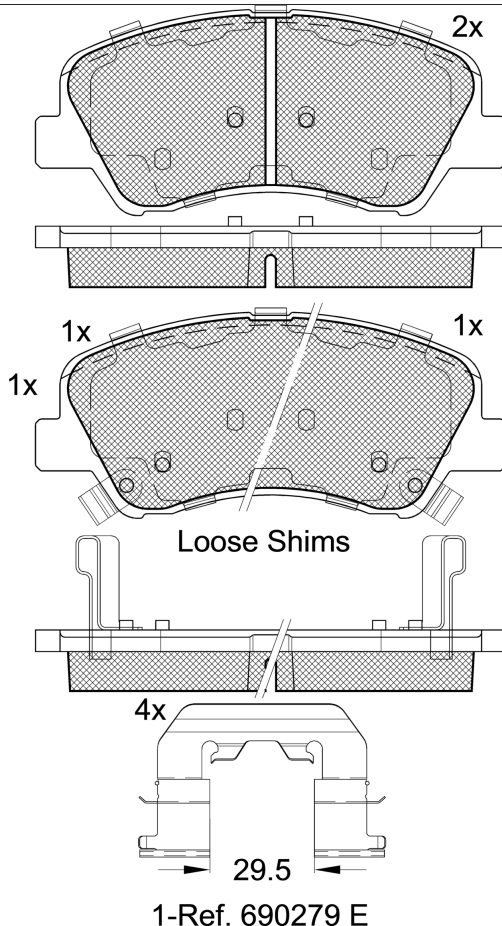


8 424073 105073

Qty: 300

Weight: 1.690

O.E.M.	MAKE
13602-12006K	KIA
1488.02	KAROSA
58101-1RA00	HYUNDAI
58101-1RA01	HYUNDAI
58101-1RA05	HYUNDAI
58101-1RA10	HYUNDAI
58101-1VA00	HYUNDAI
58101-1WA05	KIA
58101-1WA35	KIA
58101-4LA00	HYUNDAI
58101-C7A00	HYUNDAI
58101-H8A00	KIA
58101-H8A50	KIA
S58101-1WA05	KIA
S58101-1WA35	KIA



182035



90R-02A0111/3305



Mando

132.8x58.1x17.8

WVA	FMSI
25348	D1593-8806
25349	
25350	
22227	
22228	

MAKE
DODGE
GEELY
HYUNDAI
KIA



Trac.	CC	Kw	CV
-------	----	----	----



Front / Rear

DODGE							
ATTITUDE III (LA) 09.14-						Saloon (Supermini car-B Segment)	
1.2 (3A92)		Gasolina	FWD	1193	57	78	09.14-
GEELY							
EMGRAND II GL / DI HAO GL 09.16-						Saloon ()	
1.3 (JLB-4G13TB)		Gasolina	FWD	1299	95	129	09.16-
1.4 (JLB4G14-T)		Gasolina	FWD	1398	98	133	01.18-
HYUNDAI							
ACCENT IV / SOLARIS IV / VERNA / i25 (RB) 11.10-						Hatchback (Supermini car-B Segment)	
1.4 (G4LC)		Gasolina	FWD	1368	74	101	09.15-04.19
1.4 (G4FA)		Gasolina	FWD	1396	79	107	11.10-03.18
1.6 CVVT (G4FC)		Gasolina	FWD	1591	90	122	12.10-12.17
1.6 (G4FC)		Gasolina	FWD	1591	91	124	11.10-03.18
1.6 CRDI (D4FB)		Diesel	FWD	1582	94	128	07.11-10.17
1.6 CRDI (D4FB)		Diesel	FWD	1582	100	136	02.15-12.18
ACCENT IV / SOLARIS IV / VERNA / i25 (RB) 08.10-						Saloon (Supermini car-B Segment)	
1.4 (G4LC)		Gasolina	FWD	1368	74	101	11.10-
1.4		Gasolina	FWD	1396	79	107	11.10-12.13
1.4 (G4FA)		Gasolina	FWD	1396	80	109	11.10-12.17
1.6 (G4FC)		Gasolina	FWD	1591	90	122	11.10-
1.6 (G4FC)		Gasolina	FWD	1591	91	123	11.10-12.17
1.6 CCVT-I		Gasolina	FWD	1591	92	125	11.10-
1.6 GDI (G4FD)		Gasolina	FWD	1591	103	140	11.10-12.17

LISTA DE APLICACIONES - BUYERS GUIDE

1.4 CRDi		Diesel	FWD	1396	66	90	11.10-	■	
1.6 CRDI (D4FB)		Diesel	FWD	1582	94	128	11.10-12.17	■	
1.6 CRDI (D4FB)		Diesel	FWD	1582	100	136	04.11-12.17	■	
BAYON (BC3) 05.21-					SUV (Compact Crossover SUV-C Segment)				
1.2 LPG		Gasol./Gas (LPG)	FWD	1197	62	84	05.23-	■	
GRAND AVEGA 05.11-					Hatchback (Supermini car-B Segment)				
1.4		Gasolina	FWD	1396	78	107	05.11-	■	
i20 II (GB) 03.15-					Coupe (Supermini car-B Segment)				
1.0 T-GDI (G3LC)	Rim 14, Rim 15	Gasolina	FWD	998	74	101	01.16-09.21	■	
1.0 T-GDI (G3LC)	Rim 14, Rim 15	Gasolina	FWD	998	88	120	01.16-09.21	■	
1.2 (G4LA)	Rim 14, Rim 15	Gasolina	FWD	1248	62	84	05.15-09.21	■	
1.4 (G4LC)	Rim 14, Rim 15	Gasolina	FWD	1368	74	100	05.15-09.21	■	
1.1 CRDi (D3FA)	Rim 14, Rim 15	Diesel	FWD	1120	55	75	05.15-09.21	■	
1.4 CRDi (D4FC)	Rim 14, Rim 15	Diesel	FWD	1396	66	90	05.15-09.21	■	
i20 II (GB, IB) 11.14-					Hatchback (Supermini car-B Segment)				
1.0 T-GDI (G3LC)	Rim 14, Rim 15	Gasolina	FWD	998	74	101	01.16-08.20	■	
1.0 T-GDI (G3LC)	Rim 14, Rim 15	Gasolina	FWD	998	88	120	01.16-08.20	■	
1.2	Rim 14, Rim 15	Gasolina	FWD	1197	61	83	11.14-06.21	■	
1.2 (G4LA)	Rim 14, Rim 15	Gasolina	FWD	1248	55	75	11.14-03.20	■	
1.2 (G4LA)	Rim 14, Rim 15	Gasolina	FWD	1248	62	84	11.14-08.20	■	
1.2	Rim 14, Rim 15	Gasolina	FWD	1248	62	84	05.15-	■	
1.4 (G4LC)	Rim 14, Rim 15	Gasolina	FWD	1368	74	100	11.14-06.18	■	
1.2 LPGI (G4LA)	Rim 14, Rim 15	Gasol./Gas (LPG)	FWD	1248	61	83	11.14-06.19	■	
1.1 CRDi (D3FA)	Rim 14, Rim 15	Diesel	FWD	1120	55	75	11.14-06.18	■	
1.4 CRDi (D4FC)	Rim 14, Rim 15	Diesel	FWD	1396	66	90	11.14-06.18	■	
i20 II ACTIVE (IB, GB) 09.15-					Hatchback (Subcompact SUV-B Segment)				
1.0 T-GDI (G3LC)	Rim 14, Rim 15	Gasolina	FWD	998	74	101	09.15-06.18	■	
1.0 T-GDI (G3LC)	Rim 14, Rim 15	Gasolina	FWD	998	88	120	09.15-06.18	■	
1.4 CVVT (G4LC)	Rim 14, Rim 15	Gasolina	FWD	1368	74	101	09.15-06.18	■	
1.4 CRDi (D4FC)	Rim 14, Rim 15	Diesel	FWD	1396	66	90	09.15-06.18	■	
i20 III (BC3, B13) 08.20-					Hatchback (Supermini car-B Segment)				
1.0 T-GDI (G3LE)		Gasolina	FWD	998	74	101	08.20-	■	
1.2		Gasolina	FWD	1197	58	79	05.24-	■	
1.2 (G4LF)		Gasolina	FWD	1197	62	84	08.20-	■	
1.4 MPI		Gasolina	FWD	1368	74	101	05.21-	■	
1.2 LPG		Gasol./Gas (LPG)	FWD	1197	58	79	11.24-	■	
1.0 T-GDI hybrid 48V (G3LE)		Gasol./eléc.	FWD	998	74	101	08.20-	■	
1.0 T-GDI hybrid 48V (G3LE)		Gasol./eléc.	FWD	998	88	120	08.20-	■	
SOLARIS / ACCENT V (HCR, HCI) 01.17-					Saloon (Supermini car-B Segment)				
1.6 (G4FG)		Gasolina	FWD	1591	90	122	01.17-	■	
KIA									
RIO IV (YB, SC, FB) 01.17-					Hatchback (Supermini car-B Segment)				
1.2 CVVT		Gasolina	FWD	1197	62	84	05.20-	■	
LPG		Gasol./Gas (LPG)	FWD	1197	60	82	05.20-	■	

LISTA DE APLICACIONES - BUYERS GUIDE

1.0 T-GDI 100 Eco-Dynamics+		Gasol./el éc.	FWD	998	74	101	08.20-04.23	■
RIO III (UB) 09.11-					Hatchback Van (Supermini car-B Segment)			
1.2 CVVT (G4LA)		Gasolina	FWD	1248	63	86	04.15-12.17	■
1.4 CVVT (G4FA)		Gasolina	FWD	1396	80	109	04.15-	■
1.1 CRDi (D3FA)		Diesel	FWD	1120	55	75	09.11-	■
1.4 CRDi (D4FC)		Diesel	FWD	1396	66	90	04.15-	■
RIO III (UB) 09.11-					Hatchback (Supermini car-B Segment)			
1.2 (G4LA)		Gasolina	FWD	1248	51	69	09.11-12.17	■
1.2 CVVT (G4LA)		Gasolina	FWD	1248	62	84	09.11-12.17	■
1.25 CVVT (G4LA)	Eq.V_ 14",15"	Gasolina	FWD	1248	63	86	09.11-12.17	■
1.25 (G4LA)		Gasolina	FWD	1248	64	87	11.14-12.17	■
1.25 CVVT (G4LA)		Gasolina	FWD	1248	65	88	09.11-12.17	■
1.4 CVVT (G4FA)		Gasolina	FWD	1396	78	106	09.11-12.17	■
1.4 CVVT (G4FA)		Gasolina	FWD	1396	79	107	09.11-12.17	■
1.4 CVVT (G4FA)	Eq.V_ 14",15"	Gasolina	FWD	1396	80	109	09.11-12.17	■
1.6 CVVT (G4FC)		Gasolina	FWD	1591	90	123	06.12-12.17	■
1.25 LPG (G4LA)		Gasol./G as (LPG)	FWD	1248	63	86	09.11-12.17	■
1.1 CRDi (D3FA)	Eq.V_ 14",15"	Diesel	FWD	1120	55	75	09.11-12.17	■
1.4 CRDi (D4FC)	Eq.V_ 14",15"	Diesel	FWD	1396	66	90	09.11-12.17	■
RIO III (UB) 09.10-					Saloon (Supermini car-B Segment)			
1.25 CVVT (G4LA)		Gasolina	FWD	1248	61	83	04.15-12.17	■
1.25 CVVT (G4LA)		Gasolina	FWD	1248	63	86	10.11-12.17	■
1.2 CVVT (G4LA)		Gasolina	FWD	1248	64	87	11.14-12.17	■
1.25 CVVT (G4LA)		Gasolina	FWD	1248	65	88	06.11-12.17	■
1.4 CVVT		Gasolina	FWD	1396	78	106	10.11-	■
1.4 CVVT (G4FA)		Gasolina	FWD	1396	79	107	06.11-12.17	■
1.4 CVVT (G4FA)		Gasolina	FWD	1396	80	109	10.11-12.17	■
1.6 CVVT (G4FC)		Gasolina	FWD	1591	90	123	06.12-12.17	■