

LISTA DE APLICACIONES - BUYERS GUIDE

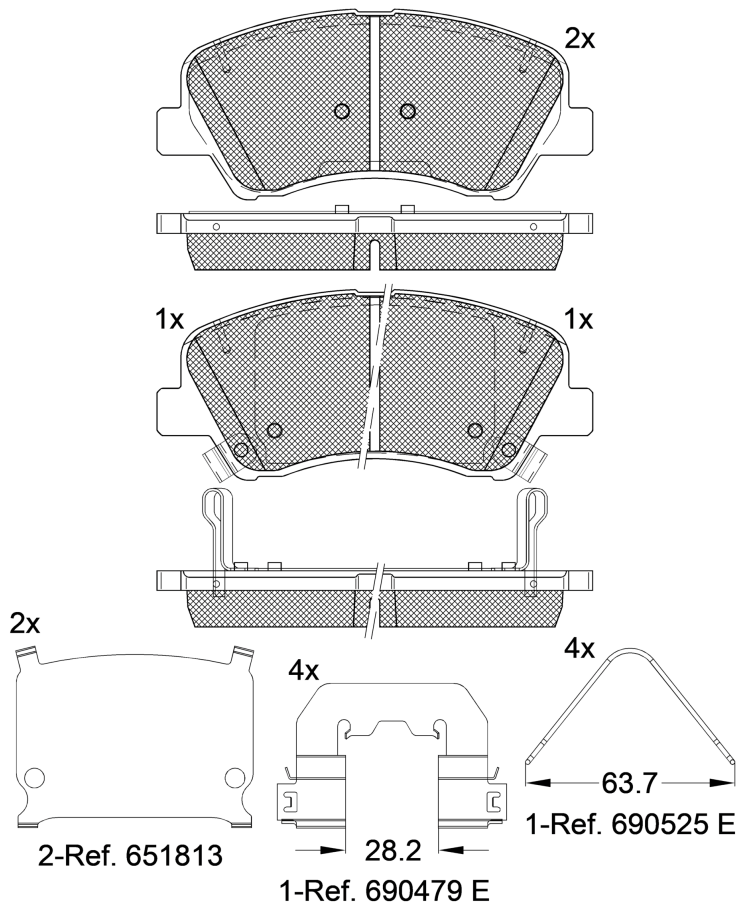
182035-233



Qty: 300

Weight: 1.710

O.E.M.	MAKE
58101-C8A00	HYUNDAI
58101-C8A10	HYUNDAI
58101-C8A50	HYUNDAI
58101-C8A60	HYUNDAI
58101-H5A25	HYUNDAI
58101-H8A05	KIA
58101-H9A10	KIA
58101-H9A60	HYUNDAI
58101-Q0A00	HYUNDAI



182035-233

E 9 90R-02A0111/5224



Mando

132.8x58x18.4

FMSI
D2190-8806
MAKE
HYUNDAI
KIA



Trac.	CC	Kw	CV
-------	----	----	----



Front / Rear

HYUNDAI

ACCENT V / SOLARIS / VERNA (HC) 01.17-					Saloon (Supermini car-B Segment)			
1.4 (G4LC)	Gasolina	FWD	1368	73	99	07.18-	■	
BAYON (BC3) 05.21-					SUV (Compact Crossover SUV-C Segment)			
1.0 T-GDI	Gasolina	FWD	998	74	101	05.21-	■	
1.2 MPI	Gasolina	FWD	1197	62	84	05.21-	■	
1.4 MPI	Gasolina	FWD	1368	74	101	05.21-	■	
1.2 LPG	Gasol./Gas (LPG)	FWD	1197	62	84	05.23-	■	
1.0 T-GDI 48V-Hybrid	Gasol./eléc.	FWD	998	74	101	05.21-	■	
1.0 T-GDI 48V-Hybrid	Gasol./eléc.	FWD	998	88	120	05.21-	■	
i20 II (GB) 03.15-					Coupe (Supermini car-B Segment)			
1.0 T-GDI (G3LC)	Gasolina	FWD	998	74	101	01.16-09.21	■	
1.0 T-GDI (G3LC)	Gasolina	FWD	998	88	120	01.16-09.21	■	
1.2 (G4LA)	Gasolina	FWD	1248	62	84	05.15-09.21	■	
1.4 (G4LC)	Gasolina	FWD	1368	74	100	05.15-09.21	■	
1.1 CRDi (D3FA)	Diesel	FWD	1120	55	75	05.15-09.21	■	
1.4 CRDi (D4FC)	Diesel	FWD	1396	66	90	05.15-09.21	■	
i20 II (GB, IB) 11.14-					Hatchback (Supermini car-B Segment)			
1.0 T-GDI (G3LC)	Gasolina	FWD	998	74	101	01.16-08.20	■	
1.0 T-GDI (G3LC)	Gasolina	FWD	998	88	120	01.16-08.20	■	
1.2 (G4LA)	Gasolina	FWD	1248	55	75	11.14-03.20	■	
1.2 (G4LA)	Gasolina	FWD	1248	62	84	11.14-08.20	■	

LISTA DE APLICACIONES - BUYERS GUIDE

1.4 (G4LC)		Gasolina	FWD	1368	74	100	11.14-06.18	■	
1.2 LPG (G4LA)		Gasol./Gas (LPG)	FWD	1248	55	75	01.19-09.20	■	
1.2 LPGI (G4LA)		Gasol./Gas (LPG)	FWD	1248	61	83	11.14-06.19	■	
1.1 CRDi (D3FA)		Diesel	FWD	1120	55	75	11.14-06.18	■	
1.4 CRDi (D4FC)		Diesel	FWD	1396	66	90	11.14-06.18	■	
i20 II ACTIVE (IB, GB) 09.15-							Hatchback (Subcompact SUV-B Segment)		
1.0 T-GDI (G3LC)		Gasolina	FWD	998	74	101	09.15-06.18	■	
1.0 T-GDI (G3LC)		Gasolina	FWD	998	88	120	09.15-06.18	■	
1.4 (G4LC)		Gasolina	FWD	1368	73	99	07.18-	■	
1.4 CVVT (G4LC)		Gasolina	FWD	1368	74	101	09.15-06.18	■	
1.4 CRDi (D4FC)		Diesel	FWD	1396	66	90	09.15-06.18	■	
i20 II Van (GB, IB) 11.14-							Hatchback Van (Supermini car-B Segment)		
1.0 T-GDI (G3LC)		Gasolina	FWD	998	74	101	01.16-09.21	■	
1.2 MPI (G4LA)		Gasolina	FWD	1248	55	75	05.15-09.21	■	
1.2 MPI (G4LA)		Gasolina	FWD	1248	62	84	05.15-09.21	■	
1.4 MPI (G4LC)		Gasolina	FWD	1368	74	101	05.15-09.21	■	
1.1 CRDi (D3FA)		Diesel	FWD	1120	55	75	05.15-09.21	■	
1.4 CRDi (D4FC)		Diesel	FWD	1396	66	90	05.15-09.21	■	
i20 III (BC3, B13) 08.20-							Hatchback (Supermini car-B Segment)		
1.0 T-GDI (G3LE)		Gasolina	FWD	998	74	101	08.20-	■	
1.2		Gasolina	FWD	1197	58	79	05.24-	■	
1.2 (G4LF)		Gasolina	FWD	1197	62	84	08.20-	■	
1.4 MPI		Gasolina	FWD	1368	74	101	05.21-	■	
1.2 LPG		Gasol./Gas (LPG)	FWD	1197	58	79	11.24-	■	
1.0 T-GDI hybrid 48V (G3LE)		Gasol./eléc.	FWD	998	74	101	08.20-	■	
1.0 T-GDI hybrid 48V (G3LE)		Gasol./eléc.	FWD	998	88	120	08.20-	■	
SOLARIS / ACCENT V (HCR, HCI) 01.17-							Saloon (Supermini car-B Segment)		
1.4 (G4LC)		Gasolina	FWD	1368	74	101	01.17-	■	
1.6		Gasolina	FWD	1591	89	121	01.17-	■	
1.6 (G4FG)		Gasolina	FWD	1591	90	122	01.17-	■	
KIA									
RIO IV (YB, SC, FB) 01.17-							Hatchback (Supermini car-B Segment)		
1.0 T-GDI 100 (G3LC)	Rim 14	Gasolina	FWD	998	74	101	01.17-	■	
1.0 T-GDI 100 (G3LE)	Rim 14	Gasolina	FWD	998	74	101	01.17-	■	
1.0 T-GDI 120 (G3LC)	Rim 14	Gasolina	FWD	998	88	120	01.17-	■	
1.2 CVVT		Gasolina	FWD	1197	62	84	05.20-	■	
1.25 (G4LA)	Rim 14	Gasolina	FWD	1248	62	84	01.17-	■	
1.4 (G4LC)	Rim 14	Gasolina	FWD	1368	73	99	01.17-	■	
1.4 (G4LC)	Rim 14	Gasolina	FWD	1368	74	101	01.17-	■	
1.6 (G4FG)	Rim 14	Gasolina	FWD	1591	90	123	01.17-	■	
LPG		Gasol./Gas (LPG)	FWD	1197	60	82	05.20-	■	
1.25 LPG (G4LA)	Rim 14	Gasol./Gas (LPG)	FWD	1248	60	82	05.19-	■	
1.0 T-GDI 100 Eco-Dynamics+		Gasol./eléc.	FWD	998	74	101	08.20-04.23	■	
1.0 T-GDI 120 Eco-Dynamics+ (G3LF)	Rim 14	Gasol./eléc.	FWD	998	88	120	08.20-04.23	■	
1.4 CRDi 77 (D4FC)	Rim 14	Diesel	FWD	1396	57	78	01.17-	■	

LISTA DE APLICACIONES - BUYERS GUIDE

1.4 CRDi 90 (D4FC)	Rim 14	Diesel	FWD	1396	66	90	01.17-	■	
RIO IV (SC, FB) 07.17-					Saloon (Supermini car-B Segment)				
1.4 (G4LC)		Gasolina	FWD	1368	73	99	07.17-	■	
1.4 (G4LC)	Rim 14	Gasolina	FWD	1368	74	100	07.17-	■	
1.6 (G4FG)	Rim 14	Gasolina	FWD	1591	90	123	07.17-	■	
RIO IV X-LINE IV (FB) 11.17-					Hatchback (Supermini car-B Segment)				
1.4	Rim 14	Gasolina	FWD	1368	74	101	11.17-	■	
1.6	Rim 14	Gasolina	FWD	1591	90	122	11.17-	■	
RIO IV Van (YB, SC, FB) 01.17-					Hatchback Van (Supermini car-B Segment)				
1.0 T-GDI 100 (G3LC)	Rim 14	Gasolina	FWD	998	74	101	01.17-	■	
1.0 T-GDI 120 (G3LC)	Rim 14	Gasolina	FWD	998	88	120	01.17-	■	