

LISTA DE APLICACIONES - BUYERS GUIDE

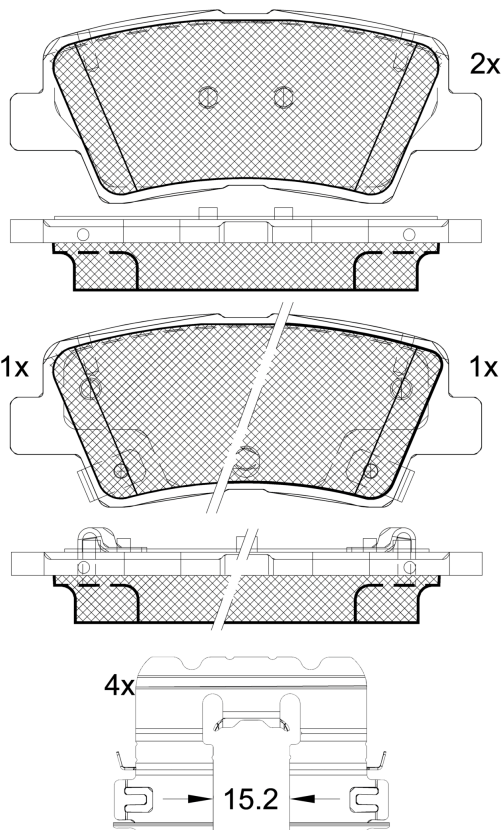
182036-066



Qty: 300

Weight: 735

O.E.M.	MAKE
58302-G4A50	HYUNDAI
58302-J9A80	HYUNDAI
58302-J9A90	HYUNDAI



1-Ref. 690493 E

182036-066

E 9 90R-02A0111/5197



Akebono

99.8x41x15.6

WVA

25337

25338

25339

MAKE

HYUNDAI

KIA



Trac.	CC	Kw	CV
-------	----	----	----



Front / Rear

HYUNDAI

							Hatchback Van (Compact car-C Segment)			
i30 III (PDE) 11.16-										
1.0 T-GDI (G3LC)	elec.brake detention	Gasolina	FWD	998	88	120	11.16-		■	
1.4 T-GDI (G4LD)	elec.brake detention	Gasolina	FWD	1353	103	140	11.16-12.20		■	
i30 III (PDE, PD, PDEN) 11.16-							Hatchback (Compact car-C Segment)			
1.0 T-GDI (G3LC)	elec.brake detention	Gasolina	FWD	998	88	120	11.16-		■	
1.0 T-GDI (G3LC)	elec.brake detention	Gasolina	FWD	998	88	120	06.17-		■	
1.4 T-GDI (G4LD)	elec.brake detention	Gasolina	FWD	1353	103	140	11.16-12.20		■	
1.4 T-GDI (G4LD)	elec.brake detention	Gasolina	FWD	1353	103	140	06.17-		■	
1.4 MPI (G4LC)	elec.brake detention	Gasolina	FWD	1368	74	100	11.16-12.20		■	
1.5 (G4LG)	elec.brake detention	Gasolina	FWD	1498	81	110	06.20-		■	
1.0 T-GDI hybrid 48V (G3LC)	elec.brake detention	Gasol./el éc.	FWD	998	88	120	03.20-		■	
1.0 T-GDI hybrid 48V (G3LC)	elec.brake detention	Gasol./el éc.	FWD	998	88	120	06.20-		■	
1.5 T-GDI Hybrid 48V (G4LH)	elec.brake detention, Rim 15	Gasol./el éc.	FWD	1482	118	160	03.20-		■	
1.5 T-GDI Hybrid 48V (G4LH)	elec.brake detention, Rim 15	Gasol./el éc.	FWD	1482	118	160	03.20-		■	
1.6 CRDi hybrid 48V (D4FE)		Diesel/el éc.	FWD	1598	100	136	03.20-		■	
1.6 CRDi hybrid 48V (D4FE)		Diesel/el éc.	FWD	1598	100	136	03.20-		■	
1.6 CRDI (D4FB)	elec.brake detention	Diesel	FWD	1582	70	95	11.16-		■	
1.6 CRDI (D4FB)	elec.brake detention	Diesel	FWD	1582	81	110	11.16-		■	
1.6 CRDI (D4FB)	elec.brake detention	Diesel	FWD	1582	100	136	11.16-		■	
1.6 CRDI (D4FB)	elec.brake detention	Diesel	FWD	1582	100	136	12.17-01.22		■	
1.6 CRDI (D4FE)	elec.brake detention	Diesel	FWD	1598	70	95	08.18-		■	

LISTA DE APLICACIONES - BUYERS GUIDE

1.6 CRDI (D4FE)	elec.brake detention	Diesel	FWD	1598	81	110	08.18-	■	
1.6 CRDI (D4FE)	elec.brake detention	Diesel	FWD	1598	85	116	08.18-	■	
1.6 CRDI (D4FE)		Diesel	FWD	1598	100	136	08.18-	■	
1.6 CRDI	elec.brake detention	Diesel	FWD	1598	100	136	09.18-	■	
i30 III Combi Van (PDE) 03.17-							Estate Van (Compact car-C Segment)		
1.0 T-GDI (G3LC)	elec.brake detention	Gasolina	FWD	998	88	120	03.17-	■	
1.4 T-GDI (G4LD)	elec.brake detention	Gasolina	FWD	1353	103	140	03.17-12.20	■	
1.6 CRDi VGT (D4FB)	elec.brake detention	Diesel	FWD	1582	81	110	03.17-	■	
1.6 CRDi VGT (D4FB)	elec.brake detention	Diesel	FWD	1582	100	136	03.17-	■	
i30 III CW (PDE) 03.17-							Estate (Compact car-C Segment)		
1.0 T-GDI (G3LC)	elec.brake detention	Gasolina	FWD	998	88	120	03.17-	■	
1.4 T-GDI (G4LD)	elec.brake detention	Gasolina	FWD	1353	103	140	03.17-12.20	■	
1.4 MPI (G4LC)	elec.brake detention	Gasolina	FWD	1368	73	100	05.17-	■	
1.4 MPI	elec.brake detention	Gasolina	FWD	1368	74	101	03.17-12.20	■	
1.5 (G4LG)	elec.brake detention	Gasolina	FWD	1498	81	110	06.20-	■	
1.0 T-GDI hybrid 48V (G3LC)		Gasol./el éc.	FWD	998	88	120	03.20-	■	
1.5 T-GDI Hybrid 48V (G4LH)	elec.brake detention, Rim 15	Gasol./el éc.	FWD	1482	118	160	03.20-	■	
1.6 CRDi hybrid 48V (D4FE)		Diesel/el éc.	FWD	1598	100	136	03.20-	■	
1.6 CRDI (D4FB)	elec.brake detention	Diesel	FWD	1582	81	110	03.17-	■	
1.6 CRDI (D4FB)		Diesel	FWD	1582	94	128	08.18-	■	
1.6 CRDI (D4FB)	elec.brake detention	Diesel	FWD	1582	100	136	03.17-	■	
1.6 CRDI (D4FE)	elec.brake detention	Diesel	FWD	1598	81	110	08.18-	■	
1.6 CRDI (D4FE)	elec.brake detention	Diesel	FWD	1598	85	116	08.18-	■	
1.6 CRDI (D4FE)	elec.brake detention	Diesel	FWD	1598	100	136	08.18-	■	
KONA (OS, OSE, OSI) 06.17-							SUV Van (Subcompact SUV-B Segment)		
1.0 T-GDI (G3LC)	elec.brake detention	Gasolina	FWD	998	88	120	07.17-	■	
KONA (OS, OSE, OSI) 06.17-							SUV (Subcompact SUV-B Segment)		
1.0 T-GDI (G3LC)	elec.brake detention	Gasolina	FWD	998	88	120	07.17-04.23	■	
1.6 T-GDI (G4FJ)	elec.brake detention	Gasolina	FWD	1591	130	177	07.17-12.20	■	
1.6 T-GDi 4WD (G4FJ)	elec.brake detention	Gasolina	4WD	1591	130	177	06.17-03.23	■	
1.6 T-GDI	elec.brake detention, Rim 15	Gasolina	FWD	1598	146	199	11.20-04.23	■	
1.6 T-GDi 4WD	Rim 15	Gasolina	4WD	1598	146	199	11.20-04.23	■	
1.0 T-GDI hybrid 48V	elec.brake detention, Rim 15	Gasol./el éc.	FWD	998	88	120	11.20-04.23	■	
1.6 CRDi hybrid 48V	elec.brake detention, Rim 15	Diesel/el éc.	FWD	1598	100	136	11.20-08.21	■	
1.6 CRDi Hybrid 48V 4WD	elec.brake detention	Diesel/el éc.	4WD	1598	100	136	11.20-08.21	■	
1.6 CRDi e-VGT (D4FB)	elec.brake detention	Diesel	FWD	1582	100	136	07.17-	■	
1.6 CRDI (D4FE)	elec.brake detention	Diesel	FWD	1598	85	116	08.18-11.20	■	
1.6 CRDi e-VGT (D4FE)	elec.brake detention	Diesel	FWD	1598	100	136	08.18-08.21	■	
1.6 CRDi e-VGT AWD (D4FE)	elec.brake detention	Diesel	4WD	1598	100	136	08.18-08.21	■	
KIA									
CEE'D III (CD) 03.18-							Hatchback (Compact car-C Segment)		
1.0 T-GDI (G3LC)		Gasolina	FWD	998	74	101	09.19-	■	
1.0 T-GDI (G3LC)	elec.brake detention	Gasolina	FWD	998	88	120	03.18-	■	
1.4 T-GDI (G4LD)	elec.brake detention	Gasolina	FWD	1353	103	140	03.18-12.20	■	
1.4 (G4LC)	elec.brake detention	Gasolina	FWD	1368	73	99	03.18-12.20	■	
1.5 T-GDI		Gasolina	FWD	1482	103	140	02.24-	■	

LISTA DE APLICACIONES - BUYERS GUIDE

1.5 T-GDI	elec.brake detention	Gasolina	FWD	1482	118	160	01.21-	■	
1.6 (G4FG)	elec.brake detention	Gasolina	FWD	1591	94	128	03.18-	■	
1.6 T-GDI GT (G4FJ)	elec.brake detention	Gasolina	FWD	1591	150	204	10.18-	■	
1.4 LPG (G4LC)	elec.brake detention	Gasol./Gas (LPG)	FWD	1368	71	97	12.18-12.20	■	
1.0 T-GDI 100 Eco-Dynamics+		Gasol./eléc.	FWD	998	74	101	01.21-	■	
1.0 T-GDI MHEV		Gasol./eléc.	FWD	998	88	120	10.21-	■	
1.5 T-GDi MHEV		Gasol./eléc.	FWD	1482	103	140	02.24-	■	
1.5 T-GDI Eco-Dynamics+		Gasol./eléc.	FWD	1482	118	160	01.21-	■	
1.6 CRDi 115 Eco-Dynamics+ (D4FE)		Diesel/eléc.	FWD	1598	85	116	12.19-	■	
1.6 CRDi 136 Eco-Dynamics+ (D4FE)	elec.brake detention	Diesel/eléc.	FWD	1598	100	136	12.19-	■	
1.6 CRDi 115 (D4FE)	elec.brake detention	Diesel	FWD	1598	85	116	03.18-	■	
1.6 CRDi 136 (D4FE)	elec.brake detention	Diesel	FWD	1598	100	136	03.18-	■	
CEE'D III Combi Van (CD) 03.18-							Estate Van (Compact car-C Segment)		
T-GDI (G3LC)	elec.brake detention	Gasolina	FWD	998	88	120	05.18-	■	
1.4 T-GDI (G4LD)	elec.brake detention	Gasolina	FWD	1353	103	140	04.18-12.20	■	
GDI Hybrid (G4LE)		Gasol./eléc.	FWD	1580	77	105	12.19-	■	
GDI Hybrid (G4LE)		Gasol./eléc.	FWD	1580	104	141	12.19-	■	
CRDi 115 (D4FE)	elec.brake detention	Diesel	FWD	1598	85	116	05.18-	■	
CRDi 136 (D4FE)	elec.brake detention	Diesel	FWD	1598	100	136	05.18-	■	
CEE'D III Sport Wagon (CD) 03.18-							Estate (Compact car-C Segment)		
1.0 T-GDI (G3LC)		Gasolina	FWD	998	74	101	09.19-	■	
1.0 T-GDI (G3LC)	elec.brake detention	Gasolina	FWD	998	88	120	05.18-	■	
1.4 T-GDI (G4LD)	elec.brake detention	Gasolina	FWD	1353	103	140	04.18-12.20	■	
1.4 (G4LC)	elec.brake detention	Gasolina	FWD	1368	73	99	04.18-12.20	■	
1.5 T-GDI		Gasolina	FWD	1482	103	140	02.24-	■	
1.5 T-GDI	elec.brake detention	Gasolina	FWD	1482	118	160	01.21-	■	
1.6 (G4FG)		Gasolina	FWD	1591	94	128	05.18-	■	
1.4 LPG (G4LC)	elec.brake detention	Gasol./Gas (LPG)	FWD	1368	71	97	12.18-12.20	■	
1.0 T-GDI 100 Eco-Dynamics+		Gasol./eléc.	FWD	998	74	101	04.22-	■	
1.0 T-GDi Eco-Dynamics+		Gasol./eléc.	FWD	998	88	120	07.21-	■	
1.5 T-GDi MHEV		Gasol./eléc.	FWD	1482	103	140	02.24-	■	
1.5 T-GDI Eco-Dynamics+		Gasol./eléc.	FWD	1482	118	160	01.21-	■	
1.6 GDI Hybrid (G4LE)		Gasol./eléc.	FWD	1580	77	105	12.19-	■	
1.6 GDI Hybrid (G4LE)		Gasol./eléc.	FWD	1580	104	141	12.19-	■	
1.6 CRDi 115 Eco-Dynamics+ (D4FE)		Diesel/eléc.	FWD	1598	85	116	12.19-	■	
1.6 CRDi 136 Eco-Dynamics+ (D4FE)	elec.brake detention	Diesel/eléc.	FWD	1598	100	136	12.19-	■	
1.6 CRDi 115 (D4FE)	elec.brake detention	Diesel	FWD	1598	85	116	05.18-	■	
1.6 CRDi 136 (D4FE)	elec.brake detention	Diesel	FWD	1598	100	136	05.18-	■	
CEE'D III Van (CD) 03.18-							Hatchback Van (Compact car-C Segment)		
T-GDI (G3LC)	elec.brake detention	Gasolina	FWD	998	88	120	03.18-	■	
1.4 T-GDI (G4LD)	elec.brake detention	Gasolina	FWD	1353	103	140	03.18-12.20	■	
T-GDI GT (G4FJ)	elec.brake detention	Gasolina	FWD	1591	150	204	10.18-	■	

LISTA DE APLICACIONES - BUYERS GUIDE

CRDi 115 (D4FE)	elec.brake detention	Diesel	FWD	1598	85	116	03.18-	■	
CRDi 136 (D4FE)	elec.brake detention	Diesel	FWD	1598	100	136	03.18-	■	
PRO CEE'D III (CD) 10.18-					Estate Van (Compact car-C Segment)				
1.4 T-GDI (G4LD)	elec.brake detention	Gasolina	FWD	1353	103	140	10.18-12.20	■	
1.6 T-GDI GT (G4FJ)	elec.brake detention	Gasolina	FWD	1591	150	204	10.18-	■	
1.6 CRDi 136 (D4FE)	elec.brake detention	Diesel	FWD	1598	100	136	10.18-	■	
PRO CEE'D III (CD) 10.18-					Estate (Compact car-C Segment)				
1.0 T-GDI		Gasolina	FWD	998	73	99	02.24-	■	
1.0 T-GDI (G3LC)	elec.brake detention	Gasolina	FWD	998	88	120	10.18-	■	
1.4 T-GDI (G4LD)	elec.brake detention	Gasolina	FWD	1353	103	140	10.18-12.20	■	
1.5 T-GDI		Gasolina	FWD	1482	103	140	02.24-	■	
1.5 T-GDI	elec.brake detention	Gasolina	FWD	1482	118	160	01.21-	■	
1.6 T-GDI (G4FJ)	elec.brake detention	Gasolina	FWD	1591	147	200	10.18-	■	
1.6 T-GDI GT (G4FJ)	elec.brake detention	Gasolina	FWD	1591	150	204	10.18-	■	
1.5 T-GDi MHEV		Gasol./el éc.	FWD	1482	103	140	02.24-	■	
1.5 T-GDI Eco-Dynamics+		Gasol./el éc.	FWD	1482	118	160	01.21-	■	
1.6 CRDi 136 Eco-Dynamics+ (D4FE)	elec.brake detention	Diesel/el éc.	FWD	1598	100	136	12.19-	■	
1.6 CRDi 136 (D4FE)	elec.brake detention	Diesel	FWD	1598	100	136	10.18-	■	
XCEED (CD) 06.19-					SUV Van (Compact SUV-J Segment)				
1.4 T-GDI (G4LD)	elec.brake detention	Gasolina	FWD	1353	103	140	06.19-12.20	■	
1.6 T-GDI (G4FJ)	elec.brake detention	Gasolina	FWD	1591	150	204	06.19-	■	
1.6 GDI Hybrid (G4LE)		Gasol./el éc.	FWD	1580	77	105	12.19-	■	
1.6 GDI Hybrid (G4LE)		Gasol./el éc.	FWD	1580	104	141	12.19-	■	
1.6 CRDi (D4FE)	elec.brake detention	Diesel	FWD	1598	100	136	06.19-	■	
XCEED (CD) 06.19-					SUV (Compact SUV-J Segment)				
1.0 T-GDI		Gasolina	FWD	998	74	101	02.24-	■	
1.0 T-GDI (G3LC)	elec.brake detention	Gasolina	FWD	998	88	120	06.19-	■	
1.4 T-GDI (G4LD)	elec.brake detention	Gasolina	FWD	1353	103	140	06.19-12.20	■	
1.5 T-GDI		Gasolina	FWD	1482	103	140	02.24-	■	
1.5 T-GDI	elec.brake detention	Gasolina	FWD	1482	118	160	01.21-	■	
1.6 T-GDI (G4FJ)	elec.brake detention	Gasolina	FWD	1591	147	200	09.19-	■	
1.6 T-GDI (G4FJ)	elec.brake detention	Gasolina	FWD	1591	150	204	06.19-	■	
1.0 T-GDi LPG		Gasol./G as (LPG)	FWD	998	86	117	05.21-	■	
1.0 T-GDI MHEV		Gasol./el éc.	FWD	998	88	120	08.21-	■	
1.5 T-GDi MHEV		Gasol./el éc.	FWD	1482	103	140	02.24-	■	
1.5 T-GDi MHEV		Gasol./el éc.	FWD	1482	118	160	01.21-	■	
1.6 GDI Hybrid (G4LE)		Gasol./el éc.	FWD	1580	77	105	12.19-	■	
1.6 GDI Hybrid (G4LE)		Gasol./el éc.	FWD	1580	104	141	12.19-	■	
1.6 CRDi 115 Eco-Dynamics+ (D4FE)		Diesel/el éc.	FWD	1598	85	116	12.19-	■	
1.6 CRDi 136 Eco-Dynamics+ (D4FE)	elec.brake detention	Diesel/el éc.	FWD	1598	100	136	12.19-	■	
1.6 CRDi 115 (D4FE)	elec.brake detention	Diesel	FWD	1598	85	116	06.19-	■	
1.6 CRDi 136 (D4FE)	elec.brake detention	Diesel	FWD	1598	100	136	06.19-	■	