

LISTA DE APLICACIONES - BUYERS GUIDE

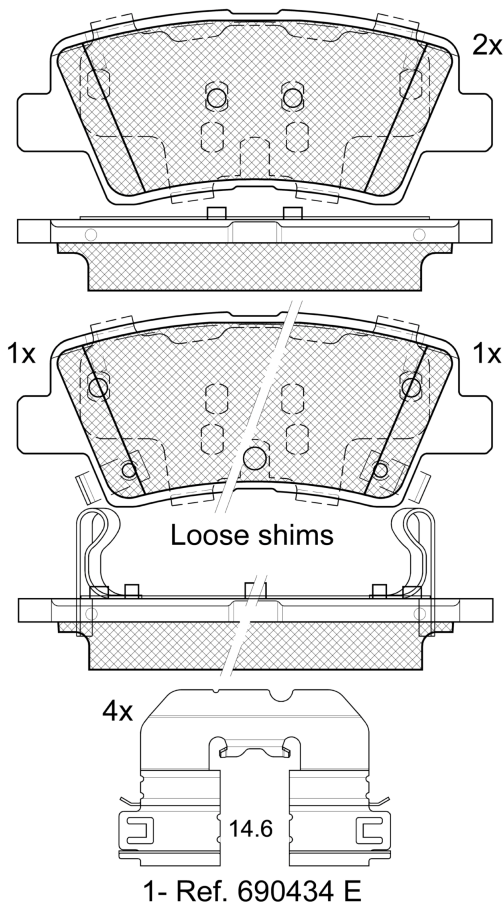
182036-203



Qty: 300

Weight: 750

O.E.M.	MAKE
58302-2TA40	KIA
58302-2TA60	KIA
58302-2TA70	KIA
58302-D3A00	HYUNDAI
58302-D3A70	HYUNDAI
58302-D3A71	HYUNDAI
58302-D7A70	HYUNDAI
58302-D9A75	KIA
58302-E4A60	KIA
58302-E6A50	HYUNDAI
58302-F0A00	HYUNDAI
58302-F2A30	HYUNDAI
58302-G0A50	HYUNDAI
58302-G2A40	HYUNDAI
58302-G2A50	KIA
58302-G2A60	HYUNDAI
58302-G7A30	HYUNDAI
58302-G7A40	HYUNDAI
58302-G8A50	HYUNDAI
58302-H5A00	HYUNDAI
58302-H8A00	KIA
58302-H8A05	KIA
58302-H8A08	KIA
58302-H9A10	KIA
S58302-2TA70	KIA



182036-203

90R-02A0111/4563



Akebono

99.8x41x15.5

WVA	FMSI
22655	D1445-8428
22656	D1812-8428
22657	D1848-8428
MAKE	
HYUNDAI	
HYUNDAI (BEIJING)	
KIA	
KIA (DYK)	



Trac.	CC	Kw	CV		
					Front / Rear

HYUNDAI

ACCENT V / SOLARIS / VERNA (HC) 01.17-

					Saloon (Supermini car-B Segment)			
1.4 (G4LC)		Gasolina	FWD	1368	73	99	07.18-	■

BAYON (BC3) 05.21-

					SUV (Compact Crossover SUV-C Segment)			
1.0 T-GDI	-12/21	Gasolina	FWD	998	74	101	05.21-	■
1.2 MPI	-12/21	Gasolina	FWD	1197	62	84	05.21-	■
1.4 MPI		Gasolina	FWD	1368	74	101	05.21-	■
1.0 T-GDI 48V-Hybrid	-12/21	Gasol./el éc.	FWD	998	74	101	05.21-	■
1.0 T-GDI 48V-Hybrid	-12/21	Gasol./el éc.	FWD	998	88	120	05.21-	■

CRETA II / ix25 II / CANTUS II (SU2_) 03.20-

					SUV (Compact Crossover CUV-C Segment)			
1.6 MPi 4WD (SU2R)	not elec.brak.detent	Gasolina	4WD	1591	89	121	09.21-	■
1.6 MPi (SU2R)		Gasolina	FWD	1591	90	122	09.21-	■
2.0 MPi (SU2R)	not elec.brak.detent, elec.brake detention	Gasolina	FWD	1999	110	150	09.21-	■
2.0 MPi 4WD (SU2R)		Gasolina	4WD	1999	110	150	09.21-	■

ELANTRA V / FLUIDIC ELANTRA (MD, UD) 09.10-

					Saloon (Compact car-C Segment)			
1.6 CRDI (D4FB)		Diesel	FWD	1582	100	136	10.15-	■

ELANTRA VI / AVANTE (AD, ADA) 09.15-

					Saloon (Compact car-C Segment)			
1.4		Gasolina	FWD	1353	95	129	06.16-	■
1.6		Gasolina	FWD	1591	88	120	02.16-	■
1.6		Gasolina	FWD	1591	94	128	02.16-12.20	■
1.6		Gasolina	FWD	1591	97	132	09.15-12.20	■
1.6 SR Turbo (G4FJ)		Gasolina	FWD	1591	150	204	02.16-12.20	■

LISTA DE APLICACIONES - BUYERS GUIDE

2.0 (G4NA)		Gasolina	FWD	1999	110	150	02.16-12.20	■	
2.0 (G4NH)		Gasolina	FWD	1999	110	150	02.16-12.20	■	
2.0 (G4NA)		Gasolina	FWD	1999	112	152	10.15-12.20	■	
2.0 MPI (G4NA)		Gasolina	FWD	1999	115	156	10.17-09.22	■	
1.6 D (D4FB)		Diesel	FWD	1582	100	136	02.16-12.20	■	
GRANDEUR V / AZERA V (HG) 01.11-					Saloon (Executive car-E Segment)				
2.4 MPI		Gasolina	FWD	2359	126	171	01.15-	■	
2.4 (G4KE)	01/15-	Gasolina	FWD	2359	132	180	07.11-12.17	■	
2.4	01/15-	Gasolina	FWD	2359	132	180	01.11-	■	
2.4 16V (G4KE)	01/15-	Gasolina	FWD	2359	148	201	01.11-10.16	■	
2.7 (G6BA)	01/15-	Gasolina	FWD	2656	141	192	06.11-	■	
3.0 MPI (G6DE)	01/15-	Gasolina	FWD	2999	184	250	07.11-12.17	■	
3.0 MPI (G6DE)		Gasolina	FWD	2999	184	250	01.12-10.16	■	
3.0 MPI (G6DG)		Gasolina	FWD	2999	184	250	01.12-10.16	■	
3.0 GDi (G6DG)	01/15-	Gasolina	FWD	2999	195	265	12.11-	■	
3.0 (G6DG)	01/15-	Gasolina	FWD	2999	199	271	02.11-10.16	■	
3.3	01/15-	Gasolina	FWD	3342	191	260	06.11-	■	
3.0 LPG (G6DG)		Gasol./Gas (LPG)	FWD	2999	173	235	01.11-12.11	■	
2.2 D (D4HB)		Diesel	FWD	2199	147	200	01.11-12.17	■	
GRANDEUR VI / AZERA VI (IG) 11.16-					Saloon (Executive car-E Segment)				
3.0 GDi (G6DL)		Gasolina	FWD	2999	192	261	11.16-	■	
i20 III (BC3, BI3) 08.20-					Hatchback (Supermini car-B Segment)				
1.0 T-GDI (G3LE)		Gasolina	FWD	998	74	101	08.20-	■	
1.4 MPI		Gasolina	FWD	1368	74	101	05.21-	■	
1.0 T-GDI hybrid 48V (G3LE)		Gasol./eléc.	FWD	998	74	101	08.20-	■	
1.0 T-GDI hybrid 48V (G3LE)		Gasol./eléc.	FWD	998	88	120	08.20-	■	
IONIQ (AE) 03.16-					Hatchback (Compact car-C Segment)				
1.6 GDI Hybrid		Gasol./eléc.	FWD	1580	77	105	03.16-	■	
1.6 GDI Hybrid (G4LE)		Gasol./eléc.	FWD	1580	77	105	03.16-	■	
1.6 GDI Hybrid (G4LE)		Gasol./eléc.	FWD	1580	104	141	03.16-07.22	■	
1.6 GDI Plug-in Hybrid		Gasol./eléc.	FWD	1580	104	141	03.16-07.22	■	
Elektro		Eléctrico	FWD		25	34	03.16-	■	
Electric (EM09)		Eléctrico	FWD		88	120	03.16-08.19	■	
Electric (EM10)		Eléctrico	FWD		100	136	07.19-07.22	■	
ix35 / TUCSON II (LM, EL, ELH) 08.09-					SUV (Compact SUV-J Segment)				
2.0 CVVT AWD (G4KD)		Gasolina	4WD	1998	110	150	08.09-07.13	■	
2.0 (G4NA)		Gasolina	FWD	1999	114	155	11.13-12.15	■	
2.0 AWD (G4NA)		Gasolina	4WD	1999	114	155	11.13-12.15	■	
NEXO (FE) 03.18-					SUV (Compact SUV-J Segment)				
FCEV (FM12)		Hidrógeno	FWD		120	163	03.18-	■	
SOLARIS / ACCENT V (HCR, HCI) 01.17-					Saloon (Supermini car-B Segment)				
1.4 (G4LC)		Gasolina	FWD	1368	74	101	01.17-	■	
1.6		Gasolina	FWD	1591	89	121	01.17-	■	
1.6 (G4FG)		Gasolina	FWD	1591	90	122	01.17-	■	

LISTA DE APLICACIONES - BUYERS GUIDE

SONATA VI / i45 VI (YF) 06.09-12.15						Saloon (Executive car-E Segment)			
2.0 (G4KD)	01/14-	Gasolina	FWD	1998	110	150	06.09-06.14	■	
2.0 i (G4KD)	01/14-	Gasolina	FWD	1998	121	165	01.11-06.14	■	
2.0 (G4NA)	01/14-	Gasolina	FWD	1999	115	157	09.10-12.15	■	
2.4 (G4KC)	01/14-	Gasolina	FWD	2359	130	177	01.10-12.15	■	
2.4	01/14-	Gasolina	FWD	2359	133	181	10.12-	■	
2.4 GDI	01/14-	Gasolina	FWD	2359	148	201	01.09-	■	
2.0 Hybrid (G4NA)	01/14-	Gasol./el éc.	FWD	1999	110	150	01.11-06.14	■	
SONATA VII (LF) 03.14-06.23						Saloon (Executive car-E Segment)			
1.6 (G4FJ)		Gasolina	FWD	1591	132	180	01.15-	■	
1.6 (G4FJ)		Gasolina	FWD	1591	133	181	09.14-12.19	■	
2.0 MPi (G4NA)		Gasolina	FWD	1999	115	157	06.14-12.19	■	
2.0 CVVL		Gasolina	FWD	1999	124	169	09.14-12.19	■	
2.4		Gasolina	FWD	2359	126	171	03.17-12.19	■	
2.4 (G4KE)		Gasolina	FWD	2359	131	178	12.14-12.19	■	
2.4 MPi		Gasolina	FWD	2359	131	178	01.15-	■	
2.4 (G4KJ)	Eq.V_ Power Parking Brake, Rim 15	Gasolina	FWD	2359	138	188	09.14-12.19	■	
2.4 GDI (G4KJ)		Gasolina	FWD	2359	142	193	09.14-12.19	■	
2.0 LPG (G4NA)		Gasol./Gas (LPG)	FWD	1999	111	151	06.14-06.23	■	
2.0 LPG (G4NA)		Gasol./Gas (LPG)	FWD	1999	113	154	09.14-12.19	■	
2.0 Hybrid	01/16-, Eq.V_ EPB, Canada, Rim 15	Gasol./el éc.	FWD	1999	110	150	09.14-12.19	■	
2.0 Hybrid		Gasol./el éc.	FWD	1999	115	156	06.16-	■	
2.0 Hybrid		Gasol./el éc.	FWD	1999	153	208	09.14-	■	
2.0 Gdi Hybrid	-01/16	Gasol./el éc.	FWD	1999	165	224	09.14-	■	
1.7 CRDi		Diesel	FWD	1685	104	141	01.15-12.19	■	
TUCSON III (TLE) 05.15-						SUV Van (Compact SUV-J Segment)			
1.6 T-GDI (G4FJ)	Rep.Checa, elec.brake detention	Gasolina	FWD	1591	130	177	06.15-12.20	■	
1.6 CRDI (D4FE)	elec.brake detention	Diesel	FWD	1598	100	136	08.18-12.20	■	
TUCSON III (TL, TLE) 05.15-						SUV (Compact SUV-J Segment)			
1.6 GDI (G4FD)		Gasolina	FWD	1591	96	130	06.15-09.20	■	
1.6 GDI (G4FD)		Gasolina	FWD	1591	97	132	06.15-09.20	■	
1.6 T-GDI (G4FJ)		Gasolina	FWD	1591	129	175	01.16-09.20	■	
1.6 T-GDI (G4FJ)		Gasolina	FWD	1591	130	177	06.15-05.23	■	
1.6 T-GDI A las 4 ruedas		Gasolina	FWD	1591	130	177	06.15-	■	
1.6 T-GDI A las 4 ruedas (G4FJ)		Gasolina	4WD	1591	130	177	06.15-09.20	■	
1.6 T-GDI (G4FJ)		Gasolina	FWD	1591	131	178	06.15-09.20	■	
2.0 CVVT (G4NA)		Gasolina	FWD	1999	110	150	06.15-09.20	■	
2.0 CVVT A las 4 ruedas (G4NA)		Gasolina	4WD	1999	110	150	06.15-09.20	■	
2.0 (G4NA)		Gasolina	FWD	1999	114	155	06.15-09.20	■	
2.0 Alas 4 ruedas (G4NA)		Gasolina	4WD	1999	114	155	06.15-09.20	■	
2.0		Gasolina	FWD	1999	115	156	06.15-09.20	■	
2.0 Alas 4 ruedas (G4NA)		Gasolina	4WD	1999	115	156	06.15-09.20	■	
2.0 GDI (G4NC)		Gasolina	FWD	1999	121	165	06.15-09.20	■	
2.0 GDi A las 4 ruedas (G4NC)		Gasolina	4WD	1999	121	165	06.15-09.20	■	
2.4 GDI A las 4 ruedas (G4KJ)	elec.brake detention	Gasolina	4WD	2359	135	184	07.19-09.20	■	

LISTA DE APLICACIONES - BUYERS GUIDE

1.6 CRDi hybrid 48V (D4FE)		Diesel/el éc.	FWD	1598	85	116	03.19-12.20	■	
1.6 CRDi hybrid 48V (D4FE)		Diesel/el éc.	FWD	1598	100	136	03.19-12.20	■	
1.6 CRDi hybrid 48V A las 4 ruedas (D4FE)		Diesel/el éc.	4WD	1598	100	136	03.19-12.20	■	
2.0 CRDi Hybrid 48V A las 4 ruedas (D4HA)		Diesel/el éc.	4WD	1995	136	185	10.18-12.20	■	
1.6 CRDI (D4FE)		Diesel	FWD	1598	85	116	08.18-09.20	■	
1.6 CRDi A las 4 ruedas (D4FE)		Diesel	4WD	1598	85	116	08.18-09.20	■	
1.6 CRDI (D4FE)		Diesel	FWD	1598	100	136	08.18-12.20	■	
1.6 CRDi A las 4 ruedas (D4FE)		Diesel	4WD	1598	100	136	08.18-12.20	■	
1.7 CRDi (D4FD)		Diesel	FWD	1685	85	116	06.15-09.20	■	
1.7 CRDi (D4FD)		Diesel	FWD	1685	104	141	06.15-09.20	■	
2.0 CRDi (D4HA)		Diesel	FWD	1995	100	136	06.15-09.20	■	
2.0 CRDi A las 4 ruedas (D4HA)		Diesel	4WD	1995	100	136	06.15-09.20	■	
2.0 CRDi A las 4 ruedas		Diesel	4WD	1995	129	175	06.15-09.20	■	
2.0 CRDi (D4HA)		Diesel	FWD	1995	131	178	06.15-09.20	■	
2.0 CRDi A las 4 ruedas (D4HA)		Diesel	4WD	1995	131	178	06.15-09.20	■	
2.0 CRDi (D4HA)		Diesel	FWD	1995	136	185	06.15-09.20	■	
2.0 CRDi A las 4 ruedas (D4HA)		Diesel	4WD	1995	136	185	06.15-09.20	■	
2.0 CRDi A las 4 ruedas		Diesel	4WD	1995	136	185	06.15-	■	
VENUE (QX, QXI) 07.19-					SUV (Compact SUV-J Segment)				
T-GDi (QXI)		Gasolina	FWD	998	88	120	07.19-	■	
MPi (QXI)		Gasolina	FWD	1197	61	83	07.19-	■	
MPi (QX)		Gasolina	FWD	1591	90	122	07.19-	■	
1.6 (QX)		Gasolina	FWD	1598	90	122	09.19-	■	
CRDi (Qxi)		Diesel	FWD	1396	66	90	07.19-	■	
CRDi (Qxi)		Diesel	FWD	1493	74	101	07.20-	■	
HYUNDAI (BEIJING)									
ix35 (NU) 11.17-					SUV (Compact SUV-J Segment)				
2.0		Gasolina	FWD	1999	118	160	11.17-	■	
2.0 4WD		Gasolina	4WD	1999	118	160	11.17-	■	
TUCSON III (TL) 09.15-					SUV (Compact SUV-J Segment)				
1.6 TGDl		Gasolina	FWD	1591	130	177	09.15-	■	
1.6 TGDl A las 4 ruedas		Gasolina	4WD	1591	130	177	09.15-	■	
2.0 GDI		Gasolina	FWD	1999	121	165	09.15-	■	
KIA									
NIRO (DE) 09.16-					SUV (Mini SUV-J Segment)				
1.6 GDI Hybrid (G4LE)	Eq.V_ PEHV, elec.brake detention, not elec.brak.detent	Gasol./el éc.	FWD	1580	77	105	09.16-	■	
1.6 GDI Hybrid		Gasol./el éc.	FWD	1580	77	105	09.16-	■	
1.6 GDI Hybrid		Gasol./el éc.	FWD	1580	104	141	09.16-08.22	■	
1.6 GDI Plug-in Hybrid (G4LE)	elec.brake detention, not elec.brak.detent	Gasol./el éc.	FWD	1580	104	141	09.16-08.22	■	
1.6 GDI Hybrid		Gasol./el éc.	FWD	1580	107	145	09.16-	■	
E-NIRO		Eléctrico	FWD		100	136	08.18-08.22	■	
NIRO Van (DE) 09.16-					SUV Van (Mini SUV-J Segment)				
GDI Hybrid (G4LE)		Gasol./el éc.	FWD	1580	77	105	09.16-	■	
GDI Hybrid		Gasol./el éc.	FWD	1580	104	141	09.16-	■	

LISTA DE APLICACIONES - BUYERS GUIDE

OPTIMA III / K5 (FSGDS6B) 01.10-					Saloon (Executive car-E Segment)			
2.0 CVVT (G4KD)		Gasolina	FWD	1998	110	150	01.11-12.15	■
2.0 CVVL (G4KD)		Gasolina	FWD	1998	121	165	03.12-12.15	■
2.0 (G4KD)		Gasolina	FWD	1998	125	170	03.12-12.15	■
2.0 (G4KH)	Rim 18, Europe, 5291XL, 5291XK, 541BA1, not elec.brak.detent, Rim 16	Gasolina	FWD	1998	204	277	09.10-12.15	■
2.0 CVVT (G4NA)		Gasolina	FWD	1999	121	165	03.13-12.15	■
2.4		Gasolina	FWD	2359	129	175	06.10-12.15	■
2.4 (G4KJ)	Rim 18, Europe, 5291XL, 541BA1, 5291XK, not elec.brak.detent, Rim 16	Gasolina	FWD	2359	132	179	03.12-12.15	■
2.4 CVVT (G4KE)	Rim 18, Europe, 5291XL, 541BA1, 5291XK, not elec.brak.detent, Rim 16	Gasolina	FWD	2359	132	179	01.12-12.15	■
2.4 (G4KJ)	Rim 16,17, 541BA1 Rim 18, Europe, 5291XL, 541BA1, 5291XK, not elec.brak.detent	Gasolina	FWD	2359	149	203	09.10-12.15	■
2.0 CVVT Hybrid (G4NE)		Gasol./el éc.	FWD	1999	110	150	03.12-	■
2.0 CVVT Hybrid		Gasol./el éc.	FWD	1999	140	190	12.12-12.15	■
1.7 CRDi (D4FD)		Diesel	FWD	1685	100	136	03.12-12.15	■
RIO IV (YB, SC, FB) 01.17-					Hatchback (Supermini car-B Segment)			
1.0 T-GDI 100 (G3LC)		Gasolina	FWD	998	74	101	01.17-	■
1.0 T-GDI 100 (G3LE)		Gasolina	FWD	998	74	101	01.17-	■
1.0 T-GDI 120 (G3LC)		Gasolina	FWD	998	88	120	01.17-	■
1.2 CVVT		Gasolina	FWD	1197	62	84	05.20-	■
1.25 (G4LA)		Gasolina	FWD	1248	62	84	01.17-	■
1.4 (G4LC)		Gasolina	FWD	1368	73	99	01.17-	■
1.4 (G4LC)		Gasolina	FWD	1368	74	101	01.17-	■
1.6 (G4FG)		Gasolina	FWD	1591	90	123	01.17-	■
LPG		Gasol./Gas (LPG)	FWD	1197	60	82	05.20-	■
1.25 LPG (G4LA)		Gasol./Gas (LPG)	FWD	1248	60	82	05.19-	■
1.0 T-GDI 100 Eco-Dynamics+		Gasol./el éc.	FWD	998	74	101	08.20-04.23	■
1.0 T-GDI 120 Eco-Dynamics+ (G3LF)		Gasol./el éc.	FWD	998	88	120	08.20-04.23	■
1.4 CRDi 77 (D4FC)		Diesel	FWD	1396	57	78	01.17-	■
1.4 CRDi 90 (D4FC)		Diesel	FWD	1396	66	90	01.17-	■
RIO IV (SC, FB) 07.17-					Saloon (Supermini car-B Segment)			
1.4 (G4LC)		Gasolina	FWD	1368	73	99	07.17-	■
1.4 (G4LC)		Gasolina	FWD	1368	74	100	07.17-	■
1.6 (G4FG)		Gasolina	FWD	1591	90	123	07.17-	■
RIO IV X-LINE IV (FB) 11.17-					Hatchback (Supermini car-B Segment)			
1.4		Gasolina	FWD	1368	74	101	11.17-	■
1.6		Gasolina	FWD	1591	90	122	11.17-	■
RIO IV Van (YB, SC, FB) 01.17-					Hatchback Van (Supermini car-B Segment)			
1.0 T-GDI 100 (G3LC)		Gasolina	FWD	998	74	101	01.17-	■
1.0 T-GDI 120 (G3LC)		Gasolina	FWD	998	88	120	01.17-	■
SELTOS (SP2, SP2I) 08.19-					SUV (Compact SUV-J Segment)			
1.6 MPi 4WD (SP2) (G4FG)		Gasolina	4WD	1591	89	121	09.19-	■
1.6 MPi (SP2) (G4FG)		Gasolina	FWD	1591	90	122	09.19-	■
1.6 T-GDi 4WD (SP2) (G4FJ)		Gasolina	4WD	1591	130	177	09.19-06.22	■

LISTA DE APLICACIONES - BUYERS GUIDE

SOUL II (PS) 02.14-					Hatchback (Mini MPV-M1 Segment)			
1.6 CVVT (G4FG)		Gasolina	FWD	1591	91	124	02.14-12.18	■
1.6 CVVT		Gasolina	FWD	1591	95	129	07.16-12.18	■
1.6 TGDI		Gasolina	FWD	1591	150	204	11.16-12.18	■
2.0 CVVT		Gasolina	FWD	1998	116	158	07.16-	■
1.6 LPG (G4FG)		Gasol./Gas (LPG)	FWD	1591	87	118	12.14-12.18	■
EV Electric		Eléctrico	FWD		25	33	09.14-11.18	■
EV Electric		Eléctrico	FWD		26	36	03.17-11.18	■
EV Electric		Eléctrico	FWD		81	110	09.14-11.18	■
SOUL III (SK3) 01.19-					Hatchback (Mini MPV-M1 Segment)			
1.6 MPi (G4FG)		Gasolina	FWD	1591	91	124	01.19-	■
1.6 T-GDI (G4FJ)		Gasolina	FWD	1591	147	200	01.19-	■
2.0 MPi (G4NA)		Gasolina	FWD	1999	110	150	01.19-	■
2.0 MPi (G4NH)		Gasolina	FWD	1999	110	150	01.19-	■
SPORTAGE IV (QL, QLE) 09.15-					SUV Van (Compact SUV-J Segment)			
1.6 T-GDI (G4FJ)	elec.brake detention	Gasolina	FWD	1591	130	177	05.18-	■
1.6 CRDi Eco-Dynamics+ AWD (D4FE)	elec.brake detention	Diesel/eléc.	FWD	1598	100	136	03.19-	■
1.6 CRDi Eco-Dynamics+ AWD (D4FE)	elec.brake detention	Diesel/eléc.	4WD	1598	100	136	03.19-	■
SPORTAGE IV (QL, QLE) 01.15-					SUV (Compact SUV-J Segment)			
1.6 GDI (G4FD)	01/17-	Gasolina	FWD	1591	97	132	09.15-09.22	■
1.6 T-GDI (G4FJ)	01/17-	Gasolina	FWD	1591	130	177	09.15-09.22	■
1.6 T-GDI AWD (G4FJ)	01/17-	Gasolina	4WD	1591	130	177	09.15-09.22	■
2.0 (G4NA)		Gasolina	FWD	1999	110	150	12.15-09.22	■
2.0 AWD (G4NA)		Gasolina	4WD	1999	110	150	12.15-09.22	■
2.0 (G4NA)	01/17-	Gasolina	FWD	1999	114	155	12.15-09.22	■
2.0 AWD (G4NA)	01/17-	Gasolina	4WD	1999	114	155	12.15-09.22	■
2.0 (G4NA)	01/17-	Gasolina	FWD	1999	115	157	12.15-09.22	■
2.0 (G4NA)	01/17-	Gasolina	FWD	1999	117	159	12.15-09.22	■
2.0 Flex	01/17-	Gasolina	FWD	1999	123	167	06.16-	■
2.4 GDI (G4KJ)		Gasolina	FWD	2359	135	184	05.16-09.22	■
2.4 GDI AWD	01/17-	Gasolina	4WD	2359	135	184	09.15-09.22	■
1.6 LPG (QLE) (G4FD)	elec.brake detention	Gasol./Gas (LPG)	FWD	1591	93	126	07.20-09.22	■
2.0 Alcohol	01/17-	Gasol./Etanol	FWD	1999	114	155	12.15-09.22	■
1.6 CRDi Eco-Dynamics+ AWD (D4FE)		Diesel/eléc.	FWD	1598	85	116	03.19-09.22	■
1.6 CRDi Eco-Dynamics+ AWD (D4FE)		Diesel/eléc.	FWD	1598	100	136	03.19-09.22	■
1.6 CRDi Eco-Dynamics+ AWD (D4FE)		Diesel/eléc.	4WD	1598	100	136	03.19-09.22	■
2.0 CRDi Eco-Dynamics+ AWD (D4HA)		Diesel/eléc.	4WD	1995	136	185	06.18-09.22	■
1.6 CRDI (D4FE)		Diesel	FWD	1598	85	116	07.18-09.22	■
1.6 CRDI (D4FE)		Diesel	FWD	1598	100	136	07.18-09.22	■
1.6 CRDi AWD (D4FE)		Diesel	4WD	1598	100	136	07.18-09.22	■
1.7 CRDi (D4FD)	01/17-	Diesel	FWD	1685	85	116	09.15-09.22	■
1.7 CRDi (D4FD)	01/17-	Diesel	FWD	1685	104	141	11.16-09.22	■
2.0 CRDi (D4HA)	01/17-	Diesel	FWD	1995	100	136	09.15-09.22	■
2.0 CRDi AWD (D4HA)	01/17-	Diesel	4WD	1995	100	136	09.15-09.22	■
2.0 CRDi AWD	01/17-	Diesel	4WD	1995	129	175	09.15-09.22	■

LISTA DE APLICACIONES - BUYERS GUIDE

2.0 CRDi AWD (D4HA)	01/17-, Type QL, not elec.brak.detent Type QLE, elec.brake detention	Diesel	4WD	1995	131	178	09.15-09.22	■	
2.0 CRDi AWD		Diesel	4WD	1995	134	182	01.16-09.22	■	
2.0 CRDi (D4HA)		Diesel	FWD	1995	136	185	09.15-09.22	■	
2.0 CRDi AWD (D4HA)	01/17-	Diesel	4WD	1995	136	185	09.15-09.22	■	
STONIC (YB) 07.17-					Hatchback (Subcompact SUV-B Segment)				
1.0 T-GDI (G3LC)		Gasolina	FWD	998	74	101	08.18-	■	
1.0 T-GDI (G3LC)		Gasolina	FWD	998	88	120	07.17-	■	
1.2 CVVT		Gasolina	FWD	1197	58	79	04.24-12.25	■	
1.2 CVVT		Gasolina	FWD	1197	62	84	11.21-12.25	■	
1.2 CVVT (G4LA)		Gasolina	FWD	1248	62	84	07.17-12.25	■	
1.4 CVVT (G4LC)		Gasolina	FWD	1368	73	99	07.17-12.25	■	
1.0 T-GDi LPG		Gasol./Gas (LPG)	FWD	998	70	95	01.23-	■	
1.2 LPG		Gasol./Gas (LPG)	FWD	1197	60	82	01.23-12.25	■	
1.4 LPG (G4LC)		Gasol./Gas (LPG)	FWD	1368	71	97	11.18-12.25	■	
1.0 T-GDi Eco-Dynamics+		Gasol./eléc.	FWD	998	74	101	01.21-	■	
1.0 T-GDi Eco-Dynamics+ (G3LC)		Gasol./eléc.	FWD	998	88	120	07.20-	■	
1.6 CRDi (D4FB)		Diesel	FWD	1582	81	110	07.17-12.25	■	
1.6 CRDi (D4FE)		Diesel	FWD	1598	85	116	08.18-12.25	■	
1.6 CRDi (D4FE)		Diesel	FWD	1598	100	136	08.18-12.25	■	
STONIC Van (YB) 07.17-					Hatchback Van (Subcompact SUV-B Segment)				
1.0 T-GDI (G3LC)		Gasolina	FWD	998	74	101	08.18-	■	
1.0 T-GDI (G3LC)		Gasolina	FWD	998	88	120	07.17-	■	
1.6 CRDi (D4FE)		Diesel	FWD	1598	85	116	08.18-	■	
KIA (DYK)									
SPORTAGE III (NP) 04.18-					SUV (Compact SUV-J Segment)				
2.0 (G4NA)		Gasolina	FWD	1999	118	161	04.18-	■	
SPORTAGE III ACE (NP) 07.21-					SUV (Compact SUV-J Segment)				
2.0 (G4NJ)		Gasolina	FWD	1999	118	160	07.21-	■	