

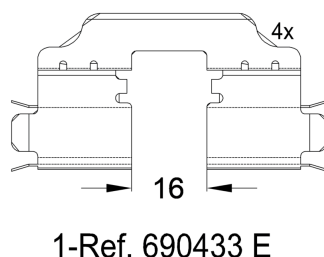
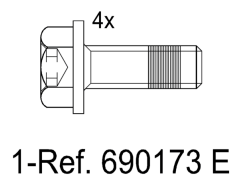
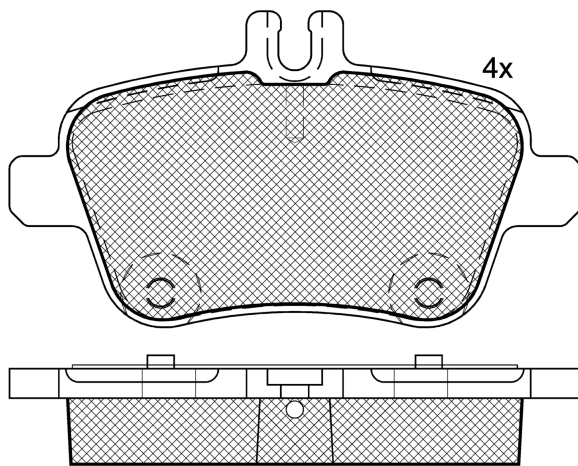
LISTA DE APLICACIONES - BUYERS GUIDE

182039-067



Qty: 300 Weight: 1.230

O.E.M.	MAKE
006 420 81 20	MERCEDES-BENZ
007 420 96 20	MERCEDES-BENZ
44060-5DA0A	INFINITI
44060-5DA0B	INFINITI
44060-5DA0C	INFINITI
44060-5DC0C	INFINITI
44060-HG00A	INFINITI
44060-HG00C	INFINITI



182039-067

E 9 90R-02A0111/4531



Trw

106.2x59.2x18.5

WVA	FMSI
24848	D1646-8874
MAKE	
INFINITI	
MERCEDES-BENZ	



Trac.	CC	Kw	CV	Hourglass icon	Front / Rear
-------	----	----	----	----------------	--------------

INFINITI

Q30 (H15E) 11.15-						Hatchback (Luxury car-F Segment)		
1.6	Gasolina	FWD	1595	90	122	11.15-	■	
1.6	Gasolina	FWD	1595	110	150	12.15-	■	
1.6	Gasolina	FWD	1595	115	156	11.15-	■	
2.0 T	Gasolina	FWD	1991	155	211	11.15-	■	
2.0 T AWD	Gasolina	4WD	1991	155	211	11.15-	■	
1.5 D	Diesel	FWD	1461	80	109	11.15-	■	
2.2 D	Diesel	FWD	2143	125	170	11.15-	■	
2.2 D AWD	Diesel	4WD	2143	125	170	11.15-	■	

QX30 (H15E) 04.16-						SUV (Luxury Crossover SUV-J Segment)		
2.0 AWD	Gasolina	4WD	1991	155	211	09.16-	■	
2.2 D AWD	Diesel	4WD	2143	125	170	04.16-	■	

MERCEDES-BENZ

A-Class III (W176) 06.12-						Hatchback (Compact car-C Segment)		
A 250 4-matic (176.046) (M 270.920)	elec.brake detention, USA	Gasolina	4WD	1991	155	211	06.13-05.18	■

GLA-Class (X156) 12.13-						SUV (Compact SUV-J Segment)		
GLA 250 (156.944) (M 270.920)	elec.brake detention, USA	Gasolina	FWD	1991	155	211	12.13-12.19	■
GLA 250 4-matic (156.946) (M 270.920)	elec.brake detention, USA	Gasolina	4WD	1991	155	211	12.13-12.19	■
GLA 250 Flex (156.944) (M 270.920)	USA	Gasol./Etanol	FWD	1991	155	211	01.15-12.19	■