

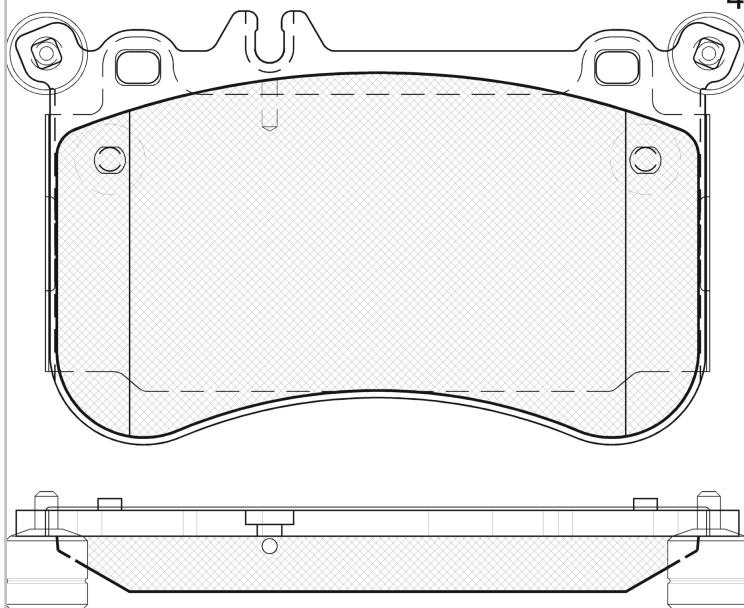
LISTA DE APLICACIONES - BUYERS GUIDE

182042



Qty: 300 Weight: 3.340

O.E.M.	MAKE
006 420 05 20	MERCEDES-BENZ
006 420 16 20	MERCEDES-BENZ
006 420 56 20	MERCEDES-BENZ
006 420 66 20	MERCEDES-BENZ
006 420 89 20	MERCEDES-BENZ
007 420 05 20	MERCEDES-BENZ
007 420 69 20	MERCEDES-BENZ
007 420 73 20	MERCEDES-BENZ
007 420 84 20	MERCEDES-BENZ
007 420 97 20	MERCEDES-BENZ
007 420 99 20	MERCEDES-BENZ



182042

90R-02A0111/3180



Brembo

158.5x92.3x18

WVA	FMSI
24923	D1634-8850
25219	
MAKE	
MERCEDES-BENZ	



Trac.	CC	Kw	CV		 Front / Rear
-------	----	----	----	--	------------------

MERCEDES-BENZ

Model / Class	Trac.	CC	Kw	CV	Date	Status
CLS-Class (C219) 10.04-12.12				Coupe (Executive car-E Segment)		
CLS 550	Gasolina	FWD	5461	285	388	04.06-02.11 ■
CLS-Class II (C218) 01.11-12.17				Coupe (Executive car-E Segment)		
CLS 500 (218.373) (M 278.922)	Gasolina	RWD	4663	300	408	02.11-12.17 ■
CLS 500 4-matic (218.391) (M 278.922)	Gasolina	4WD	4663	300	408	09.11-12.17 ■
CLS 63 AMG (218.374) (M 157.980)	Gasolina	RWD	5461	386	525	01.11-12.17 ■
CLS 63 AMG (218.374) (M 157.981)	Gasolina	RWD	5461	386	525	01.11-12.17 ■
CLS-Class II Shooting Brake (X218) 10.12-				Estate (Executive car-E Segment)		
CLS 500 (218.973) (M 278.922)	Gasolina	RWD	4663	300	408	10.12-12.17 ■
CLS 500 4-matic (218.991) (M 278.922)	Gasolina	4WD	4663	300	408	10.12-12.17 ■
CLS 63 AMG (218.974) (M 157.981)	Gasolina	RWD	5461	386	525	10.12-12.17 ■
CLS 63 AMG (218.974) (M 157.981)	Gasolina	RWD	5461	410	558	05.13-12.17 ■
CLS 63 AMG 4-matic (218.992) (M 157.981)	Gasolina	4WD	5461	410	558	05.13-12.17 ■
CLS 63 AMG 4-matic (218.992) (M 157.981)	Gasolina	4WD	5461	430	585	02.13-12.17 ■
E-Class IV (W212) 01.09-				Saloon (Executive car-E Segment)		
E 500 (212.073) (M 278.922)	Gasolina	RWD	4663	300	408	09.11-12.15 ■
E 500 4-matic (212.091) (M 278.922)	Gasolina	4WD	4663	300	408	09.11-12.15 ■
E-Class IV T-Model (S212) 08.09-				Estate (Executive car-E Segment)		
E 500 (212.273) (M 278.922)	Gasolina	RWD	4663	300	408	09.11-12.16 ■
E 500 4-matic (212.291) (M 278.922)	Gasolina	4WD	4663	300	408	09.11-12.16 ■
S-Class V (C216) 05.06-12.13				Coupe (Luxury car-F Segment)		
CL 500 (216.373) (M 278.920)	Gasolina	RWD	4663	320	435	02.11-12.13 ■

LISTA DE APLICACIONES - BUYERS GUIDE

CL 500 4-matic (216.394) (M 278.920)		Gasolina	4WD	4663	320	435	02.11-12.13	■	
S-Class V (W221, V221) 09.05-12.17					Saloon (Luxury car-F Segment)				
S 500 CGI (221.073, 221.173) (M 278.932)		Gasolina	RWD	4663	320	435	04.11-12.13	■	
S 500 CGI 4-matic (221.094, 221.194) (M 278.932)		Gasolina	4WD	4663	320	435	03.11-12.13	■	
S 550 (221.073, 221.173)		Gasolina	RWD	4663	320	435	09.11-12.13	■	
SLC-Class (R172) 01.16-					Convertible (Sports car-S Segment)				
180 (172.431) (M 274.910)	sports chassis	Gasolina	RWD	1595	115	156	01.16-	■	
200 (172.434) (M 274.920)	sports chassis	Gasolina	RWD	1991	135	184	01.16-	■	
300 (172.438) (M 274.920)	sports chassis	Gasolina	RWD	1991	180	245	01.16-	■	
AMG SLC 43 (172.466) (M 276.822)	sports chassis	Gasolina	RWD	2996	270	367	01.16-	■	
AMG SLC 43 (172.466) (M 276.822)		Gasolina	RWD	2996	287	390	06.18-	■	
250 d (172.404) (OM 651.980)	sports chassis	Diesel	RWD	2143	150	204	01.16-10.17	■	
SLK-Class III (R172) 01.11-					Convertible (Sports car-S Segment)				
55 AMG (172.475) (M 152.980)		Gasolina	RWD	5461	310	422	01.12-	■	