

LISTA DE APLICACIONES - BUYERS GUIDE

182048

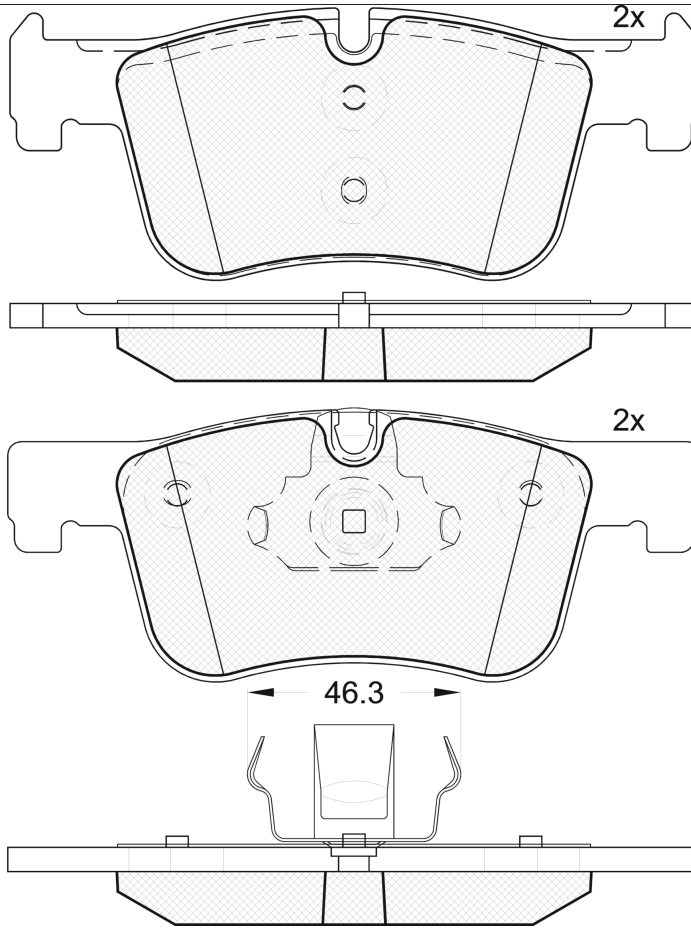


8 424073 105271

Qty: 300

Weight: 1.860

O.E.M.	MAKE
34 10 6 884 243	BMW
34 11 2 468 431	BMW
34 11 6 850 568	BMW
34 11 6 874 331	BMW



182048

E 9 90R-02A0111/3352



Bosch

155.8x61.7x18.2
156.8x61.7x18.2

WVA	FMSI
24912	D1922-9147
24913	
25506	
25507	

MAKE

BMW
BMW (BRILLIANCE)



Trac.	CC	Kw	CV
-------	----	----	----



Front / Rear

BMW

1 Serie II (F20) 07.11-06.19						Hatchback (Compact car-C Segment)		
118 i (B38 B15 A)	not M technique	Gasolina	RWD	1499	100	136	07.15-06.19	■
118 i (N13 B16 A)		Gasolina	RWD	1598	100	136	03.15-06.15	■
118 i (N13 B16 A)		Gasolina	RWD	1598	100	136	03.15-06.19	■
118 i (N13 B16 A)	discØ 300	Gasolina	RWD	1598	125	170	07.11-02.15	■
118 i (N13 B16 A)		Gasolina	RWD	1598	125	170	07.12-06.19	■
120 i (N13 B16 A)	not M technique, Japan, discØ 300	Gasolina	RWD	1598	130	177	03.15-06.16	■
120 i (N13 B16 A)		Gasolina	RWD	1598	130	177	03.15-06.19	■
120 i Active Flex	not M technique, Japan	Gasolina	FWD	1997	135	184	03.15-	■
120 i (B48 B20 A)	not M technique, Japan	Gasolina	RWD	1998	135	184	07.16-06.19	■
120 i (B48 B20 A)	not M technique, Japan	Gasolina	RWD	1998	135	184	07.16-06.19	■
125 i (B48 B20 B)	not M technique, Japan	Gasolina	RWD	1998	165	224	07.16-06.19	■
125 i Active Flex (N20 B20 A)	not M technique, Japan	Gasol./Et anol	RWD	1997	160	218	11.14-11.17	■
118 d xDrive (N47 D20 C)	discØ 300	Diesel	4WD	1995	105	143	07.13-02.15	■
118 d xDrive (N47 D20 C)		Diesel	4WD	1995	105	143	05.13-02.15	■
118 d xDrive (B47 D20 A)		Diesel	4WD	1995	110	150	03.15-06.19	■
118 d xDrive (B47 D20 A)		Diesel	4WD	1995	110	150	03.15-05.19	■
120 d (B47 D20 A)	not sports package, discØ 300	Diesel	RWD	1995	120	163	07.11-06.19	■
120 d (N47 D20 C)	not sports package, discØ 300	Diesel	RWD	1995	120	163	07.11-06.19	■
120 d (N47 D20 C)		Diesel	RWD	1995	120	163	07.12-06.19	■
120 d (N47 D20 C)	not sports package, discØ 300	Diesel	RWD	1995	135	184	07.11-02.15	■
120 d (N47 D20 C)		Diesel	RWD	1995	135	184	07.12-02.15	■
120 d xDrive (N47 D20 C)	not sports package, discØ 300	Diesel	4WD	1995	135	184	11.12-02.15	■

LISTA DE APLICACIONES - BUYERS GUIDE

120 d xDrive (N47 D20 C)		Diesel	4WD	1995	135	184	02.12-02.15	■
120 d (B47 D20 A)		Diesel	RWD	1995	140	190	03.15-06.19	■
120 d (B47 D20 A)		Diesel	RWD	1995	140	190	03.15-06.19	■
120 d xDrive (B47 D20 A)		Diesel	4WD	1995	140	190	03.15-06.19	■
120 d xDrive (B47 D20 A)		Diesel	4WD	1995	140	190	03.15-06.19	■
120 d (N47 D20 C)	discØ 300	Diesel	RWD	1995	147	200	07.11-02.15	■
120 d (N47 D20 C)		Diesel	RWD	1995	147	200	01.12-02.15	■
120 d xDrive (N47 D20 C)	discØ 300	Diesel	4WD	1995	147	200	11.12-02.15	■
120 d xDrive (N47 D20 C)		Diesel	4WD	1995	147	200	01.12-02.15	■
120 d		Diesel	RWD	1995	151	205	03.15-06.19	■
120 d		Diesel	RWD	1995	151	205	03.15-06.19	■
120 d xDrive		Diesel	4WD	1995	151	205	03.15-06.19	■
120 d xDrive		Diesel	4WD	1995	151	205	03.15-06.19	■
1 Serie II Van (F20) 03.15-06.19					Hatchback Van (Compact car-C Segment)			
118 i (B38 B15 A)	not M technique	Gasolina	RWD	1499	100	136	07.15-06.19	■
120 i (B48 B20 A)	not M technique, Japan	Gasolina	RWD	1998	135	184	07.16-06.19	■
120 d (B47 D20 A)		Diesel	RWD	1995	140	190	03.15-06.19	■
2 Serie II (G42, G87) 08.21-					Coupe (Compact car-C Segment)			
218i		Gasolina	RWD	1998	115	156	07.22-	■
3 Serie VI (U.S.A.) 09.11-					Saloon (Compact executive car-D Segment)			
318i (B38 B15 A)	not M technique, discØ 300	Gasolina	RWD	1499	100	136	07.15-10.18	■
316 i (N13 B16 A)		Gasolina	RWD	1598	100	136	07.12-08.16	■
320i (N13 B16 A)		Gasolina	RWD	1598	125	170	11.12-06.16	■
320i	not sports package	Gasolina	FWD	1997	134	182	09.12-	■
320i	not sports package	Gasolina	RWD	1997	134	182	03.12-10.18	■
320i (N20 B20 A)	not sports package	Gasolina	RWD	1997	135	184	03.12-10.18	■
320i (N20 B20 B)	not sports package	Gasolina	RWD	1997	135	184	03.12-10.18	■
320i (N20 B20 D)	not sports package	Gasolina	RWD	1997	135	184	03.12-10.18	■
320 i Active Flex	not sports package	Gasolina	FWD	1997	135	184	02.12-	■
320 i xDrive (N20 B20 A)	with cruise control	Gasolina	4WD	1997	135	184	07.12-10.18	■
320 i xDrive (N20 B20 B)	with cruise control	Gasolina	4WD	1997	135	184	07.12-10.18	■
320i (B48 B20 A)	not M technique, discØ 300, South Korea, Japan	Gasolina	RWD	1998	135	184	07.15-10.18	■
320 i xDrive (B48 B20 A)	not sports package	Gasolina	4WD	1998	135	184	07.15-10.18	■
316 d (B47 D20 A)	not sports package	Diesel	RWD	1995	85	116	03.12-10.18	■
316 d (N47 D20 C)	not sports package	Diesel	RWD	1995	85	116	03.12-10.18	■
318 d (B47 D20 A)		Diesel	RWD	1995	100	136	03.12-10.18	■
318 d (N47 D20 C)		Diesel	RWD	1995	100	136	03.12-10.18	■
318 d (N47 D20 C)	not sports package	Diesel	RWD	1995	105	143	03.12-06.15	■
318 d xDrive (N47 D20 C)		Diesel	4WD	1995	105	143	07.13-06.15	■
318 d (B47 D20 A)	not M technique, discØ 300	Diesel	RWD	1995	110	150	07.15-10.18	■
318 d xDrive (B47 D20 A)	not M technique, discØ 300	Diesel	4WD	1995	110	150	07.15-02.18	■
320 d (B47 D20 A)	not sports package	Diesel	RWD	1995	120	163	11.11-10.18	■
320 d (N47 D20 C)	not sports package	Diesel	RWD	1995	120	163	11.11-10.18	■
320 d (N47 D20 C)		Diesel	RWD	1995	135	184	11.11-03.16	■
320 d (B47 D20 A)		Diesel	RWD	1995	140	190	07.15-10.18	■
320 d (N47 D20 C)		Diesel	RWD	1995	147	200	11.11-03.16	■
3 Serie VI GRAN TURISMO (F34) 07.12-					Hatchback (Compact executive car-D Segment)			
320i (N20 B20 A)	not sports package, not M technique	Gasolina	RWD	1997	120	163	03.13-06.16	■

LISTA DE APLICACIONES - BUYERS GUIDE

320i (N20 B20 B)	not sports package, not M technique	Gasolina	RWD	1997	120	163	03.13-06.16	■	
320 i xDrive (N20 B20 A)	not sports package, not M technique	Gasolina	4WD	1997	120	163	07.13-06.16	■	
320 i xDrive (N20 B20 B)	not sports package, not M technique	Gasolina	4WD	1997	120	163	07.13-06.16	■	
320i (N20 B20 A)	not sports package, not M technique	Gasolina	RWD	1997	135	184	03.13-06.16	■	
320i (N20 B20 B)	not sports package, not M technique	Gasolina	RWD	1997	135	184	03.13-06.16	■	
320 i xDrive (N20 B20 A)	not M technique, not Performance brak	Gasolina	4WD	1997	135	184	11.12-06.16	■	
320 i xDrive (N20 B20 B)	not M technique, not Performance brak	Gasolina	4WD	1997	135	184	11.12-06.16	■	
320i (B48 B20 A)		Gasolina	RWD	1998	120	163	07.16-	■	
320 i xDrive (B48 B20 A)		Gasolina	4WD	1998	120	163	07.16-	■	
320i (B48 B20 A)	not sports package, not M technique	Gasolina	RWD	1998	135	184	07.16-	■	
320 i xDrive (B48 B20 A)	not sports package, not M technique	Gasolina	4WD	1998	135	184	07.16-	■	
318 d (B47 D20 A)	not sports package, not M technique	Diesel	RWD	1995	100	136	03.13-03.18	■	
318 d (N47 D20 C)	not sports package, not M technique	Diesel	RWD	1995	100	136	03.13-03.18	■	
318 d (N47 D20 C)	not sports package, not M technique	Diesel	RWD	1995	105	143	03.13-06.15	■	
318 d (B47 D20 A)	not sports package, not M technique	Diesel	RWD	1995	110	150	07.15-	■	
320 d (N47 D20 C)	not M technique, not Performance brak	Diesel	RWD	1995	135	184	03.13-06.15	■	
3 Serie VI Touring (F31) 07.12-06.19					Estate (Compact executive car-D Segment)				
318i (B38 B15 A)	not M technique, discØ 300	Gasolina	RWD	1499	100	136	07.15-06.19	■	
316 i (N13 B16 A)	not M technique, not Performance brak	Gasolina	RWD	1598	100	136	03.13-06.15	■	
320i (N20 B20 B)		Gasolina	RWD	1997	120	163	11.12-06.15	■	
320 i xDrive (N20 B20 B)		Gasolina	4WD	1997	120	163	03.13-06.15	■	
320i (N20 B20 B)	not sports package	Gasolina	RWD	1997	135	184	11.12-06.15	■	
320 i xDrive (N20 B20 B)	not sports package	Gasolina	4WD	1997	135	184	03.13-06.15	■	
320i (B48 B20 A)	not M technique, discØ 312	Gasolina	RWD	1998	135	184	07.15-06.19	■	
320 i xDrive (B48 B20 A)	not M technique, discØ 312	Gasolina	4WD	1998	135	184	07.15-06.19	■	
316 d (B47 D20 A)	not sports package, not M technique	Diesel	RWD	1995	85	116	11.12-06.19	■	
316 d (N47 D20 C)	not sports package, not M technique	Diesel	RWD	1995	85	116	11.12-06.19	■	
318 d (B47 D20 A)		Diesel	RWD	1995	100	136	11.12-06.19	■	
318 d (N47 D20 C)		Diesel	RWD	1995	100	136	11.12-06.19	■	
318 d (N47 D20 C)	not sports package, not M technique	Diesel	RWD	1995	105	143	11.12-06.15	■	
318 d xDrive (N47 D20 C)	not M technique	Diesel	4WD	1995	105	143	07.13-06.15	■	
318 d (B47 D20 A)	not M technique, discØ 300	Diesel	RWD	1995	110	150	07.15-06.19	■	
318 d xDrive (B47 D20 A)	not M technique, discØ 300	Diesel	4WD	1995	110	150	07.15-02.18	■	
320 d (B47 D20 A)		Diesel	RWD	1995	120	163	07.12-06.19	■	
320 d (N47 D20 C)		Diesel	RWD	1995	120	163	07.12-06.19	■	
320 d (N47 D20 C)		Diesel	RWD	1995	135	184	07.12-02.16	■	
320 d (B47 D20 A)		Diesel	RWD	1995	140	190	07.15-06.19	■	
320 d (N47 D20 C)		Diesel	RWD	1995	147	200	07.12-02.16	■	
3 Serie VII (G20, G80, G28) 11.18-					Saloon (Compact executive car-D Segment)				
318i (B48 B20 A)	not sports package	Gasolina	RWD	1998	115	156	03.20-	■	
316 d Mild-Hybrid (B47 D20 B)	discØ 294, Syst. Standard	Diesel/el éc.	RWD	1995	85	116	11.20-	■	

LISTA DE APLICACIONES - BUYERS GUIDE

316 d Mild-Hybrid (JA1)	discØ 294, Syst. Standard	Diesel/el éc.	RWD	1995	85	116	11.20-	■	
316 d Mild-Hybrid (B47 D20 B)	discØ 294	Diesel/el éc.	RWD	1995	90	122	08.20-	■	
316 d Mild-Hybrid (JA1)	discØ 294	Diesel/el éc.	RWD	1995	90	122	08.20-	■	
318 d Mild-Hybrid (B47 D20 B)	discØ 294	Diesel/el éc.	RWD	1995	100	136	04.20-	■	
318 d Mild-Hybrid (JA1)	discØ 294	Diesel/el éc.	RWD	1995	100	136	04.20-	■	
318 d Mild-Hybrid (B47 D20 B)	discØ 294	Diesel/el éc.	RWD	1995	110	150	04.20-	■	
318 d Mild-Hybrid (JA1)	discØ 294	Diesel/el éc.	RWD	1995	110	150	04.20-	■	
316 d (B47 D20 B)	discØ 294, Syst. Standard	Diesel	RWD	1995	85	116	11.20-	■	
316 d (B47 D20 B)	discØ 294, Syst. Standard	Diesel	RWD	1995	90	122	03.20-	■	
318 d (B47 D20 B)		Diesel	RWD	1995	100	136	03.19-03.20	■	
318 d (B47 D20 B)		Diesel	RWD	1995	110	150	03.19-03.20	■	
3 Serie VII Touring (G21, G81) 07.19-					Estate (Compact executive car-D Segment)				
318i (B48 B20 A)		Gasolina	RWD	1998	115	156	03.20-	■	
316 d Mild-Hybrid (B47 D20 B)	discØ 294, Syst. Standard	Diesel/el éc.	RWD	1995	85	116	11.20-	■	
316 d Mild-Hybrid (JA1)	discØ 294, Syst. Standard	Diesel/el éc.	RWD	1995	85	116	11.20-	■	
316 d Mild-Hybrid (B47 D20 B)	discØ 294	Diesel/el éc.	RWD	1995	90	122	07.20-	■	
316 d Mild-Hybrid (JA1)	discØ 294	Diesel/el éc.	RWD	1995	90	122	07.20-	■	
318 d Mild-Hybrid (B47 D20 B)	discØ 294	Diesel/el éc.	RWD	1995	100	136	08.20-	■	
318 d Mild-Hybrid (JA1)	discØ 294	Diesel/el éc.	RWD	1995	100	136	08.20-	■	
318 d Mild-Hybrid (B47 D20 B)	discØ 294	Diesel/el éc.	RWD	1995	110	150	08.20-	■	
318 d Mild-Hybrid (JA1)	discØ 294	Diesel/el éc.	RWD	1995	110	150	08.20-	■	
316 d (B47 D20 B)	discØ 294, Syst. Standard	Diesel	RWD	1995	85	116	11.20-	■	
316 d (B47 D20 B)	discØ 294, Syst. Standard	Diesel	RWD	1995	90	122	11.20-	■	
318 d (B47 D20 B)		Diesel	RWD	1995	100	136	11.19-07.20	■	
318 d (B47 D20 B)		Diesel	RWD	1995	110	150	11.19-07.20	■	
3 Serie VII Touring Van (G21) 07.19-					Estate Van (Compact executive car-D Segment)				
318 d		Diesel	RWD	1995	110	150	11.19-06.22	■	
4 Serie (F33, F83) 10.13-					Convertible (Compact executive car-D Segment)				
420 i (N20 B20 B)	not M technique	Gasolina	RWD	1997	120	163	07.14-02.16	■	
420 i (N20 B20 B)	not M technique	Gasolina	RWD	1997	135	184	07.14-02.16	■	
420 i (B48 B20 A)		Gasolina	RWD	1998	120	163	03.16-07.20	■	
420 i (B48 B20 A)	not M technique	Gasolina	RWD	1998	135	184	03.16-07.20	■	
4 Serie (F32, F82) 07.13-					Coupe (Compact executive car-D Segment)				
418 i (B38 B15 A)		Gasolina	RWD	1499	100	136	03.16-06.20	■	
418 i (B38 B15 A)	not sports package, not M technique	Gasolina	RWD	1499	100	136	07.15-12.20	■	
420 i (N20 B20 A)	not M technique	Gasolina	RWD	1997	120	163	11.13-02.17	■	
420 i (N20 B20 B)	not M technique	Gasolina	RWD	1997	120	163	11.13-02.17	■	
420 i (N20 B20 B)		Gasolina	RWD	1997	120	163	03.14-02.17	■	
420 i xDrive (N20 B20 A)	not M technique	Gasolina	4WD	1997	120	163	11.13-02.16	■	
420 i xDrive (N20 B20 B)	not M technique	Gasolina	4WD	1997	120	163	11.13-02.16	■	
420 i xDrive (N20 B20 B)		Gasolina	4WD	1997	120	163	07.14-02.16	■	
420 i (N20 B20 A)	not M technique	Gasolina	RWD	1997	135	184	11.13-02.17	■	

LISTA DE APLICACIONES - BUYERS GUIDE

420 i (N20 B20 B)	not M technique	Gasolina	RWD	1997	135	184	11.13-02.17	■	
420 i (N20 B20 B)		Gasolina	RWD	1997	135	184	03.14-02.17	■	
420 i xDrive (N20 B20 A)	not M technique	Gasolina	4WD	1997	135	184	11.13-02.16	■	
420 i xDrive (N20 B20 B)	not M technique	Gasolina	4WD	1997	135	184	11.13-02.16	■	
420 i xDrive (N20 B20 B)	not M technique	Gasolina	4WD	1997	135	184	07.14-02.16	■	
420 i (B48 B20 A)		Gasolina	RWD	1998	120	163	03.16-06.20	■	
420 i (B48 B20 A)		Gasolina	RWD	1998	120	163	03.16-05.21	■	
420 i xDrive (B48 B20 A)		Gasolina	4WD	1998	120	163	03.16-06.20	■	
420 i xDrive (B48 B20 A)		Gasolina	4WD	1998	120	163	03.16-05.21	■	
420 i (B48 B20 A)	not M technique	Gasolina	RWD	1998	135	184	03.16-06.20	■	
420 i (B48 B20 A)	not M technique	Gasolina	RWD	1998	135	184	03.16-05.21	■	
420 i xDrive (B48 B20 A)	not M technique	Gasolina	4WD	1998	135	184	03.16-06.20	■	
420 i xDrive (B48 B20 A)	not M technique	Gasolina	4WD	1998	135	184	03.16-05.21	■	
418 D (B47 D20 A)		Diesel	RWD	1995	100	136	03.15-10.17	■	
418 D (B47 D20 A)	not M technique	Diesel	RWD	1995	100	136	03.14-12.20	■	
418 D (N47 D20 C)	not M technique	Diesel	RWD	1995	100	136	03.14-12.20	■	
418 D (N47 D20 C)	not M technique	Diesel	RWD	1995	105	143	03.14-06.15	■	
418 D (B47 D20 A)		Diesel	RWD	1995	110	150	03.15-10.17	■	
418 D (B47 D20 A)	not M technique, discØ 300	Diesel	RWD	1995	110	150	07.15-12.20	■	
7 Serie V (F01, F02, F03, F04) 02.08-12.15					Saloon (Luxury car-F Segment)				
760 i, Li (N74 B60 A)	01/12-	Gasolina	RWD	5972	400	544	09.09-12.15	■	
BMW (BRILLIANCE)									
3 SERIES VI (F30, F35) 07.12-					Saloon (Compact executive car-D Segment)				
316 Li		Gasolina	FWD	1598	100	136	08.14-	■	
320 Li	not sports package	Gasolina	FWD	1997	135	184	07.12-	■	