

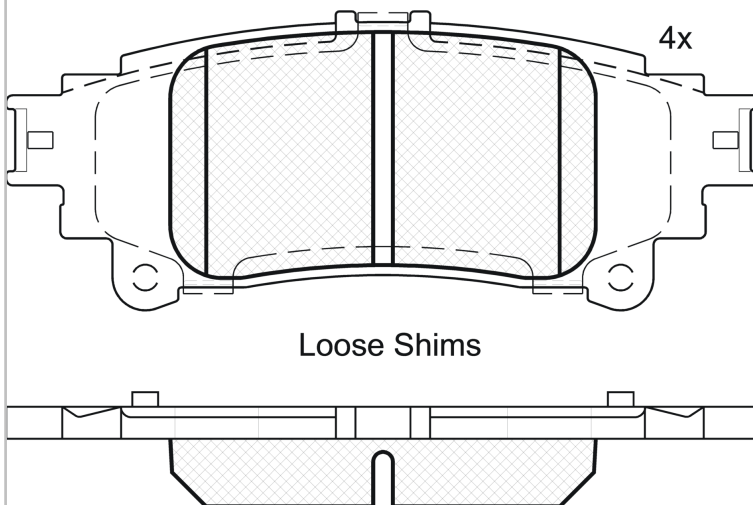
LISTA DE APLICACIONES - BUYERS GUIDE

182050



Qty: 944 Weight: 820

O.E.M.	MAKE
04466-30280	LEXUS
04466-30280-79	LEXUS
04466-30281	LEXUS
04466-30281-79	LEXUS
04466-30282	LEXUS
04466-30300	TOYOTA
04466-30310	LEXUS
04466-30310-79	LEXUS
04466-30311	LEXUS
04466-30312	LEXUS
04466-30330	TOYOTA
04466-30340	TOYOTA
04466-47050	TOYOTA
04466-53020	LEXUS
04466-WY040	TOYOTA



182050

E 9 90R-02A0110/3327



Akebono

115.2x45.7x15.8

WVA	FMSI
22253	D1391-8809
25525	D1391-8841
	D1391-8988

MAKE
LEXUS
TOYOTA
TOYOTA (FAW)



Trac.	CC	Kw	CV
-------	----	----	----



Front / Rear

LEXUS

GS IV (_L1_) 08.11-						Saloon (Executive car-E Segment)				
200t (ARL10_, ARL10R) (8AR-FTS)		Gasolina	RWD	1998	180	245	09.15-			■
300 (ARL10_, ARL10R) (8AR-FTS)		Gasolina	RWD	1998	180	245	09.17-			■
250 (GRL11_, GRL11R) (4GR-FSE)	01/13-	Gasolina	RWD	2499	154	209	01.12-			■
250 (GRL11_, GRL11R) (4GR-FSE)	01/13-, Syst. MARK=40-18	Gasolina	RWD	2499	158	215	12.11-08.16			■
350 (GRL10_) (2GR-FSE)		Gasolina	RWD	3456	233	317	03.12-			■
350 AWD (GRL15) (2GR-FSE)		Gasolina	4WD	3456	233	317	03.12-			■
350 (GRL10_, GWL10_, GRL10R, GRL12) (2GR-FSE)	01/13-	Gasolina	RWD	3456	234	318	01.12-			■
350 AWD (GRL15_, GRL16_, GRL15R) (2GR-FSE)	01/13-	Gasolina	4WD	3456	234	318	12.11-			■
300h (AWL10_, AWL10R) (2AR-FSE)		Gasol./el éc.	RWD	2494	164	223	10.13-			■
3.5 450h (GWL10) (2GR-FXE)		Gasol./el éc.	RWD	3456	213	290	03.12-09.18			■
450h (GWL10_) (2GR-FXE)	01/13-	Gasol./el éc.	RWD	3456	215	292	01.12-			■
450h (GWL10_, GWL10, GWL10R) (2GR-FXE)		Gasol./el éc.	RWD	3456	254	345	03.12-09.18			■
450h (GWL10_, GWL10R) (2GR-FXE)	01/13-	Gasol./el éc.	RWD	3456	254	345	03.12-09.18			■
IS III (_E3_) 04.13-						Saloon (Executive car-E Segment)				
200t (ASE30) (8AR-FTS)		Gasolina	RWD	1998	180	245	08.15-			■
300 (ASE30_, ASE30R) (8AR-FTS)		Gasolina	RWD	1998	180	245	10.17-			■
250 (GSE30_, GSE30R) (4GR-FSE)	01/14-	Gasolina	RWD	2499	153	208	04.13-08.15			■
350 (GSE31_, GSE31R) (2GR-FSE)	01/14-, Eq.V_ 4WD	Gasolina	RWD	3456	233	317	04.13-			■
300h (AVE30_, AVE30R) (2AR-FSE)		Gasol./el éc.	RWD	2494	162	220	04.13-09.20			■

LISTA DE APLICACIONES - BUYERS GUIDE

300h (AVE30_, AVE30R) (2AR-FSE)		Gasol./el éc.	RWD	2494	164	223	04.13-09.20	■	
IS C (GSE2_) 04.09-					Convertible (Executive car-E Segment)				
250 (GSE20) (4GR-FSE)		Gasolina	RWD	2499	153	208	04.09-06.15	■	
RC (_C1_) 08.14-					Coupe (Luxury car-F Segment)				
200t (ASC10) (8AR-FTS)		Gasolina	RWD	1998	180	245	08.15-	■	
300 (ASC10_, ASC10R) (8AR-FTS)		Gasolina	RWD	1998	180	245	11.17-	■	
350		Gasolina	FWD	3456	228	310	08.14-	■	
350 (GSC10_) (2GR-FSE)		Gasolina	RWD	3456	228	310	08.14-	■	
350 (GSC10) (2GR-FSE)		Gasolina	RWD	3456	234	318	09.14-11.17	■	
300h (AVC10_, AVC10R) (2AR-FSE)		Gasol./el éc.	RWD	2494	164	223	09.14-	■	
TOYOTA									
MARK X / REIZ (GRX13_) 10.09-					Saloon (Executive car-E Segment)				
2.5 (GRX130) (4GR-FSE)	Eq.V_ G'S	Gasolina	RWD	2499	149	203	10.09-	■	
2.5 4WD (GRX135) (4GR-FSE)		Gasolina	4WD	2499	149	203	10.09-	■	
3.5 (GRX133_, GRX133) (2GR-FSE)		Gasolina	RWD	3456	234	318	10.09-	■	
PRIUS III (_W3_) 06.08-					Hatchback (Executive car-E Segment)				
1.8 Hybrid (ZVW3_) (2ZR-FXE)	01/12-	Gasol./el éc.	FWD	1798	73	99	06.08-	■	
PRIUS III V PLUS / PRIUS ALPHA (_W4_) 05.11-					MPV (Large MPV-M1 Segment)				
1.8 Hybrid (ZVW40W, ZVW41W) (2ZR-FXE)		Gasol./el éc.	FWD	1798	100	136	05.11-	■	
PRIUS III C / AQUA (NHP10_) 09.11-					Hatchback (Executive car-E Segment)				
1.5 Hybrid (NHP10) (1NZ-FXE)		Gasol./el éc.	FWD	1497	54	73	12.11-	■	
VERSO (_R2_) 04.09-08.18					Box Body/MPV (Mini MPV-M1 Segment)				
VVTi (ZGR21)		Gasolina	FWD	1798	108	147	04.09-08.18	■	
VERSO (_R2_) 04.09-					MPV (Mini MPV-M1 Segment)				
1.8		Gasolina	FWD	1798	95	129	04.09-	■	
1.8 (ZGR21_, ZGR21R) (2ZR-FAE)		Gasolina	FWD	1798	108	147	04.09-08.18	■	
TOYOTA (FAW)									
CROWN ROYAL (_S18_) 02.05-					Saloon (Luxury car-F Segment)				
2.5		Gasolina	FWD	2497	145	194	02.05-	■	
3.0		Gasolina	FWD	2995	170	228	02.05-	■	
4.3		Gasolina	FWD	4293	208	283	12.09-	■	
CROWN ROYAL II (_S20_) 12.09-12.15					Saloon (Luxury car-F Segment)				
2.5		Gasolina	FWD	2497	142	193	12.09-	■	
3.0		Gasolina	FWD	2995	167	227	12.09-	■	
CROWN ROYAL III (_S21_) 03.15-					Saloon (Luxury car-F Segment)				
2.0 T		Gasolina	FWD	1998	173	235	08.15-	■	
2.5		Gasolina	FWD	2497	142	193	03.15-	■	