

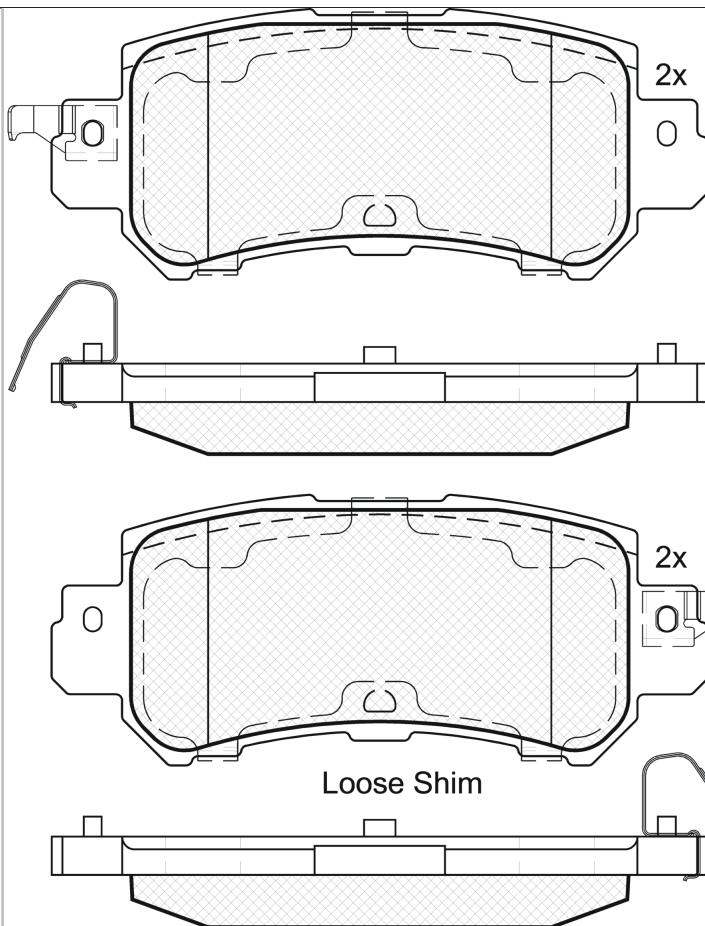
LISTA DE APLICACIONES - BUYERS GUIDE

182056



Qty: 300

Weight: 875



182056

E 9 90R-02A0111/3536



Akebono

104.6x43.1x15

WVA

25540

25541

FMSI

D1624-8837

MAKE

MAZDA



Trac.	CC	Kw	CV
-------	----	----	----



Front / Rear

MAZDA

						Hatchback (Supermini car-B Segment)			
2 IV / DEMIO (DL, DJ) 08.14-									
1.5 (DJ2HA) (P5Y4)		Gasolina	FWD	1496	79	107	11.14-	■	
1.5 (DJ2HA) (P5Y6)		Gasolina	FWD	1496	79	107	11.14-	■	
1.5 E-SKYACTIV G		Gasol./el éc.	FWD	1496	85	116	10.21-	■	
CX-3 (DK) 01.15-						SUV (Compact SUV-J Segment)			
2.0 SKYACTIV-G (DK5W, DK6W) (PEX3)		Gasolina	FWD	1998	88	120	05.15-	■	
2.0 SKYACTIV-G (DK5W, DK6W) (PEXB)		Gasolina	FWD	1998	88	120	05.15-	■	
2.0 SKYACTIV-G (DK2W7, DKEFW) (PEX0)		Gasolina	FWD	1998	109	148	07.15-	■	
2.0 SKYACTIV-G AWD (DK4W7, DKEAW) (PEX0)		Gasolina	4WD	1998	109	148	07.15-	■	
2.0 SKYACTIV-G AWD (DK4W7, DKEAW) (PEX3)		Gasolina	4WD	1998	110	150	05.15-	■	
2.0 SKYACTIV-G AWD (DK4W7, DKEAW) (PEXB)		Gasolina	4WD	1998	110	150	05.15-	■	
2.0 SKYACTIV-G AWD (DK4W7, DKEAW) (PEXT)		Gasolina	4WD	1998	110	150	05.15-	■	
2.0 SKYACTIV-G (PEX3)		Gasolina	FWD	1998	115	156	05.15-	■	
1.5 SKYACTIV-D (DK2WS, DK5FW) (S5Y2)		Diesel	FWD	1499	77	105	02.15-01.18	■	
1.5 SKYACTIV-D (DK2WS, DK5FW) (S5Y5)		Diesel	FWD	1499	77	105	02.15-01.18	■	
1.5 SKYACTIV-D (DK2WS, DK5FW) (S5Y7)		Diesel	FWD	1499	77	105	02.15-01.18	■	
1.5 SKYACTIV-D (DK2WS, DK5FW) (S5Y9)		Diesel	FWD	1499	77	105	02.15-01.18	■	
1.5 SKYACTIV-D AWD (DK4WS, DK5AW) (S5Y2)		Diesel	4WD	1499	77	105	02.15-01.18	■	
1.5 SKYACTIV-D AWD (DK4WS, DK5AW) (S5Y5)		Diesel	4WD	1499	77	105	02.15-01.18	■	
1.5 SKYACTIV-D AWD (DK4WS, DK5AW) (S5Y7)		Diesel	4WD	1499	77	105	02.15-01.18	■	

LISTA DE APLICACIONES - BUYERS GUIDE

1.5 SKYACTIV-D AWD (DK4WS, DK5AW) (S5Y9)		Diesel	4WD	1499	77	105	02.15-01.18	■	
CX-5 (KE_) 11.11-02.17					SUV Van (Compact SUV-J Segment)				
SKYACTIV-G AWD (KEK9)		Gasolina	4WD	1998	118	160	04.15-02.17	■	
SKYACTIV-G (KEC9)		Gasolina	FWD	1998	121	165	04.15-02.17	■	
SKYACTIV-G AWD (KEN9)		Gasolina	4WD	2488	141	192	04.15-02.17	■	
SKYACTIV-D (KEF9)		Diesel	FWD	2191	110	150	04.15-02.17	■	
SKYACTIV-D AWD (KEN9)		Diesel	4WD	2191	110	150	04.15-02.17	■	
SKYACTIV-D AWD (KEN9, KE2AW)		Diesel	4WD	2191	129	175	04.15-02.17	■	
CX-5 (KE, GH) 11.11-					SUV (Compact SUV-J Segment)				
2.0 (PEY5)		Gasolina	FWD	1998	110	150	02.12-02.17	■	
2.0 AWD (PEY5)		Gasolina	4WD	1998	110	150	02.12-02.17	■	
2.0 (PEY4)		Gasolina	FWD	1998	113	154	04.15-02.17	■	
2.0 (PEY5)		Gasolina	FWD	1998	113	154	04.15-02.17	■	
2.0 AWD (KE107, KEEAW) (PEY4)		Gasolina	4WD	1998	113	154	02.12-02.17	■	
2.0 AWD (KE107, KEEAW) (PEY5)		Gasolina	4WD	1998	113	154	02.12-02.17	■	
2.0 (KE107, KEEFW) (PEY4)		Gasolina	FWD	1998	114	155	07.12-02.17	■	
2.0 (KE107, KEEFW) (PEY5)		Gasolina	FWD	1998	114	155	07.12-02.17	■	
2.0 AWD (PEY4)		Gasolina	4WD	1998	114	155	07.12-02.17	■	
2.0 AWD (PEY5)		Gasolina	4WD	1998	114	155	07.12-02.17	■	
2.0 (KE107) (PEY5)		Gasolina	FWD	1998	115	156	01.12-02.17	■	
2.0 (KE107) (PEY7)		Gasolina	FWD	1998	115	156	01.12-02.17	■	
2.0 AWD (KE107) (PEY5)		Gasolina	4WD	1998	115	156	01.12-02.17	■	
2.0 AWD (KE107) (PEY7)		Gasolina	4WD	1998	115	156	01.12-02.17	■	
2.0 AWD (KEEAW) (PEY6)		Gasolina	4WD	1998	118	160	11.11-02.17	■	
2.0 AWD (KEEAW) (PEY7)		Gasolina	4WD	1998	118	160	11.11-02.17	■	
2.0 (KEEFW) (PEY6)		Gasolina	FWD	1998	121	165	11.11-02.17	■	
2.0 (KEEFW) (PEY7)		Gasolina	FWD	1998	121	165	11.11-02.17	■	
2.5		Gasolina	FWD	2488	135	184	07.14-	■	
2.5		Gasolina	FWD	2488	137	186	02.13-	■	
2.5 (KE5FW) (PY-VPS)		Gasolina	FWD	2488	138	188	02.13-02.17	■	
2.5 AWD (KE103) (PYY1)		Gasolina	4WD	2488	138	188	02.13-02.17	■	
2.5 AWD (PYY1)		Gasolina	4WD	2488	141	192	02.15-02.17	■	
2.2 D (KE2FW) (SH-VPTS)		Diesel	FWD	2188	129	175	04.12-02.17	■	
2.2 D 4WD (KE2AW) (SH-VPTS)		Diesel	4WD	2188	129	175	04.12-02.17	■	
2.2 D (KE2FW) (SHY1)	-01/15	Diesel	FWD	2191	110	150	04.12-02.17	■	
2.2 D (KE2FW) (SHY4)	-01/15	Diesel	FWD	2191	110	150	04.12-02.17	■	
2.2 D AWD (KE2AW) (SHY1)		Diesel	4WD	2191	110	150	04.12-02.17	■	
2.2 D (SHY1)		Diesel	FWD	2191	129	175	04.12-02.17	■	
2.2 D AWD (KE102) (SHY4)		Diesel	4WD	2191	129	175	04.12-02.17	■	