

LISTA DE APLICACIONES - BUYERS GUIDE

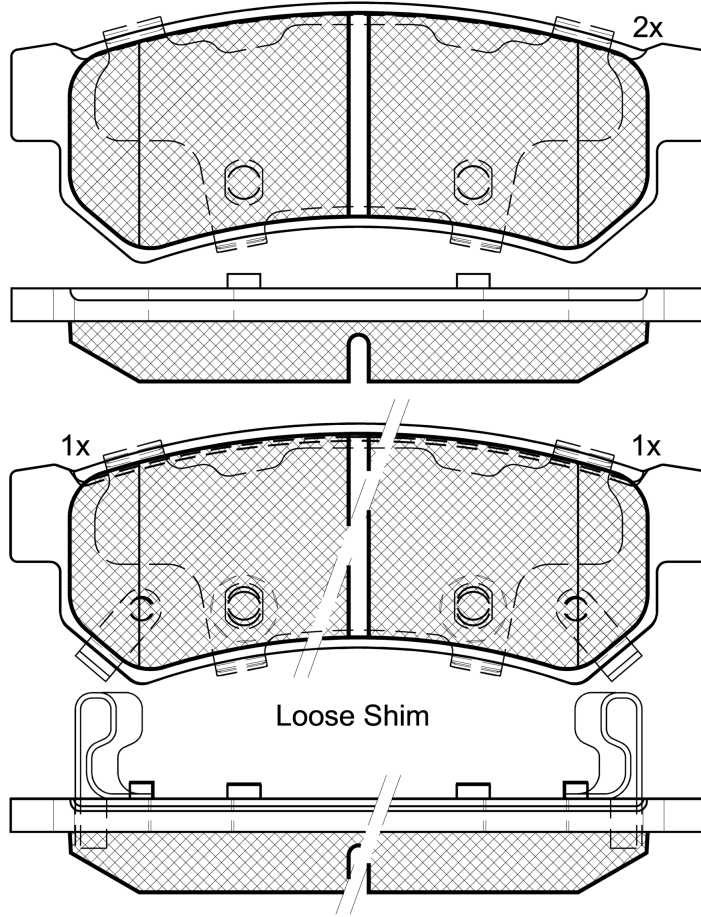
182058-203



Qty: 944

Weight: 720

O.E.M.	MAKE
9528 0739	CHEVROLET



182058-203

E 9 90R-02A0110/4160



Sumitomo

103.75x38.8x14.5
104x38.8x14.5

WVA	FMSI
25232	D1739-7939
25953	
25954	

MAKE
CHEVROLET



Trac.	CC	Kw	CV



Front / Rear

CHEVROLET

SPARK III / BEAT / MATIZ (M300) 12.09-

Hatchback (City car-A Segment)

1.2 (LMU)	Gasolina	FWD	1206	60	82	03.10-	■
-----------	----------	-----	------	----	----	--------	---