

LISTA DE APLICACIONES - BUYERS GUIDE

182063

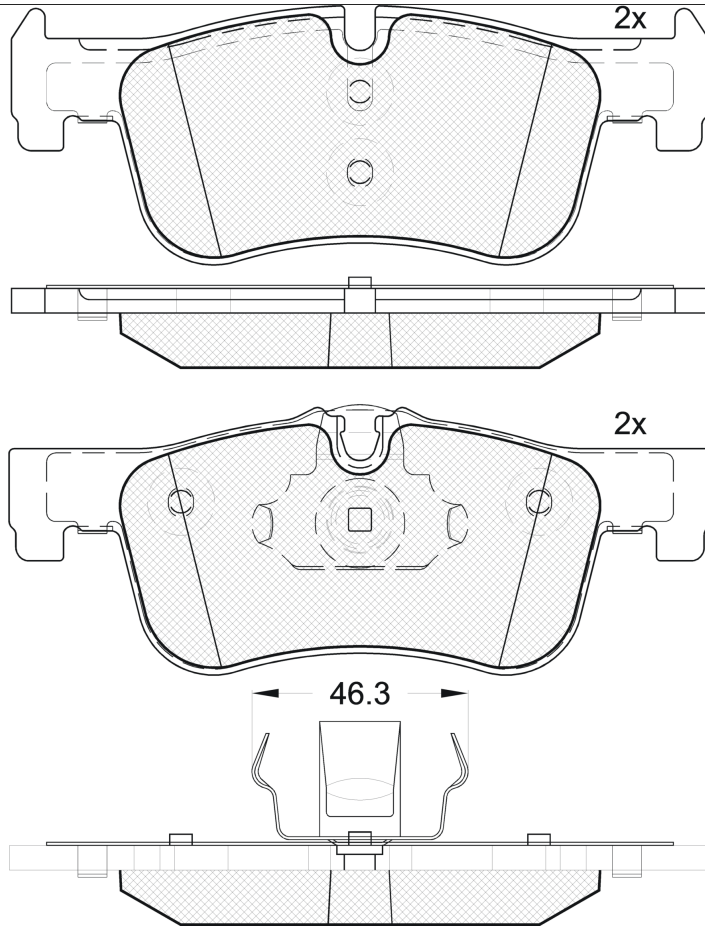


8 424073 105431

Qty: 300

Weight: 1.780

O.E.M.	MAKE
34 11 6 850 567	BMW
34 11 6 858 910	BMW
34 11 8 854 999	BMW



182063

E 9 90R-02A0111/3396



Bosch

155.8x57.9x18.4

156.8x59.8x18.4

WVA	FMSI
25013	D1817-9052
25014	
25015	

MAKE
AUDI
BMW



Trac.	CC	Kw	CV
-------	----	----	----



Front / Rear

AUDI

Q5 (8RB) 11.08-

SUV (Luxury Crossover SUV-J Segment)

2.0 TDI quattro (CNHA)	Eq.V_ Latinamerica	Diesel	4WD	1968	140	190	11.13-05.17	■
------------------------	--------------------	--------	-----	------	-----	-----	-------------	---

BMW

1 Serie II (F20) 07.11-06.19

Hatchback (Compact car-C Segment)

116 i (B38 B15 A)		Gasolina	RWD	1499	80	109	03.15-06.19	■
116 i (B38 B15 A)		Gasolina	RWD	1499	80	109	03.15-06.19	■
118 i (B38 B15 A)	Eq.V_ Latin America	Gasolina	RWD	1499	100	136	07.15-06.19	■
118 i (B38 B15 A)	Eq.V_ Latin America	Gasolina	RWD	1499	100	136	03.15-06.19	■
114 i (N13 B16 A)	not Performance brak, discØ 284	Gasolina	RWD	1598	75	102	07.12-02.15	■
114 i (N13 B16 A)		Gasolina	RWD	1598	75	102	07.12-01.15	■
116 i (N13 B16 A)	discØ 284, not Performance brak	Gasolina	RWD	1598	100	136	07.11-02.15	■
116 i (N13 B16 A)		Gasolina	RWD	1598	100	136	12.11-02.15	■
118 i (N13 B16 A)		Gasolina	RWD	1598	100	136	03.15-06.15	■
118 i (N13 B16 A)	Eq.V_ Latin America	Gasolina	RWD	1598	100	136	03.15-06.19	■
118 i (N13 B16 A)	Eq.V_ Latin America	Gasolina	RWD	1598	125	170	07.11-02.15	■
118 i (N13 B16 A)	Eq.V_ Latin America	Gasolina	RWD	1598	125	170	07.12-06.19	■
120 i (N13 B16 A)		Gasolina	RWD	1598	130	177	03.15-06.16	■
120 i (N13 B16 A)		Gasolina	RWD	1598	130	177	03.15-06.19	■
125 i (N20 B20 A)		Gasolina	RWD	1997	160	218	03.12-11.17	■
125 i (N20 B20 A)		Gasolina	RWD	1997	160	218	12.11-12.19	■
125 i (B48 B20 B)		Gasolina	RWD	1998	165	224	07.16-06.19	■
125 i (B48 B20 B)		Gasolina	RWD	1998	165	224	10.15-06.19	■

LISTA DE APLICACIONES - BUYERS GUIDE

125 i Active Flex (N20 B20 A)		Gasol./Etanol	RWD	1997	160	218	11.14-11.17	■	
125 i Active Flex		Gasol./Etanol	RWD	1997	160	218	08.14-	■	
114 D (B37 D15 A)	discØ 284	Diesel	RWD	1496	70	95	07.15-06.19	■	
114 D (B37 D15 A)		Diesel	RWD	1496	70	95	06.15-05.19	■	
116 d (B37 D15 A)		Diesel	RWD	1496	85	116	03.15-06.19	■	
116 d (B37 D15 A)		Diesel	RWD	1496	85	116	03.15-05.19	■	
114 D (N47 D16 A)	discØ 284	Diesel	RWD	1598	70	95	11.12-06.15	■	
114 D (N47 D16 A)	not M technique, not Performance brak	Diesel	RWD	1598	70	95	07.12-05.19	■	
116 d (N47 D16 A)	discØ 284	Diesel	RWD	1598	85	116	03.12-02.15	■	
116 d (N47 D16 A)		Diesel	RWD	1598	85	116	12.11-02.15	■	
116 d (N47 D20 C)	-03/12	Diesel	RWD	1995	85	116	07.11-02.15	■	
116 d (N47 D20 C)		Diesel	RWD	1995	85	116	07.12-02.15	■	
118 d (B47 D20 A)	-03/12, not sports package, discØ 284	Diesel	RWD	1995	100	136	07.11-06.19	■	
118 d (N47 D20 C)	-03/12, not sports package, discØ 284	Diesel	RWD	1995	100	136	07.11-06.19	■	
118 d (N47 D20 C)		Diesel	RWD	1995	100	136	12.11-06.19	■	
118 d (N47 D20 C)	-03/12, not sports package, discØ 284	Diesel	RWD	1995	105	143	07.11-02.15	■	
118 d (N47 D20 C)		Diesel	RWD	1995	105	143	12.11-02.15	■	
118 d xDrive (N47 D20 C)		Diesel	4WD	1995	105	143	07.13-02.15	■	
118 d xDrive (N47 D20 C)	not M technique, not Performance brak	Diesel	4WD	1995	105	143	05.13-02.15	■	
118 d (B47 D20 A)		Diesel	RWD	1995	110	150	03.15-06.19	■	
118 d (B47 D20 A)		Diesel	RWD	1995	110	150	03.15-06.19	■	
118 d xDrive (B47 D20 A)		Diesel	4WD	1995	110	150	03.15-06.19	■	
118 d xDrive (B47 D20 A)		Diesel	4WD	1995	110	150	03.15-05.19	■	
120 d (B47 D20 A)		Diesel	RWD	1995	120	163	07.11-06.19	■	
120 d (N47 D20 C)		Diesel	RWD	1995	120	163	07.11-06.19	■	
120 d (N47 D20 C)		Diesel	RWD	1995	120	163	07.12-06.19	■	
120 d (N47 D20 C)		Diesel	RWD	1995	135	184	07.11-02.15	■	
120 d (N47 D20 C)		Diesel	RWD	1995	135	184	07.12-02.15	■	
120 d xDrive (N47 D20 C)		Diesel	4WD	1995	135	184	11.12-02.15	■	
120 d xDrive (N47 D20 C)		Diesel	4WD	1995	135	184	02.12-02.15	■	
120 d (B47 D20 A)		Diesel	RWD	1995	140	190	03.15-06.19	■	
120 d (B47 D20 A)		Diesel	RWD	1995	140	190	03.15-06.19	■	
120 d xDrive (B47 D20 A)		Diesel	4WD	1995	140	190	03.15-06.19	■	
120 d xDrive (B47 D20 A)		Diesel	4WD	1995	140	190	03.15-06.19	■	
125 d (B47 D20 B)		Diesel	RWD	1995	155	211	03.12-06.19	■	
125 d (N47 D20 D)		Diesel	RWD	1995	155	211	03.12-06.19	■	
125 d (N47 D20 D)		Diesel	RWD	1995	155	211	12.11-05.19	■	
125 d (N47 D20 D)		Diesel	RWD	1995	160	218	03.12-02.15	■	
125 d (N47 D20 D)		Diesel	RWD	1995	160	218	12.11-02.15	■	
125 d (B47 D20 B)		Diesel	RWD	1995	165	224	03.15-06.19	■	
125 d (B47 D20 B)		Diesel	RWD	1995	165	224	03.15-05.19	■	
1 Serie II Van (F20) 03.15-06.19					Hatchback Van (Compact car-C Segment)				
118 i (B38 B15 A)	Eq.V_ Latin America	Gasolina	RWD	1499	100	136	07.15-06.19	■	
118 d (B47 D20 A)		Diesel	RWD	1995	110	150	03.15-06.19	■	
120 d (B47 D20 A)		Diesel	RWD	1995	140	190	03.15-06.19	■	
2 Active Tourer Van (F45) 11.13-					Box Body/MPV (Compact car-C Segment)				
218d (B47 C20 A)		Diesel	FWD	1995	110	150	07.14-10.21	■	

LISTA DE APLICACIONES - BUYERS GUIDE

218d (B47 C20 B)		Diesel	FWD	1995	110	150	07.14-10.21	■	
2 Gran Tourer Van (F46) 07.14-					Box Body/MPV (Compact car-C Segment)				
218d (B47 C20 A)		Diesel	FWD	1995	110	150	07.14-	■	
218d (B47 C20 B)		Diesel	FWD	1995	110	150	07.14-	■	
2 Serie (F23) 03.14-					Convertible (Compact car-C Segment)				
218i (B38 B15 A)	not Performance brak	Gasolina	RWD	1499	100	136	03.15-06.21	■	
218i		Gasolina	RWD	1998	100	136	11.20-06.21	■	
218d (B47 D20 A)		Diesel	RWD	1995	100	136	07.15-09.20	■	
218d (B47 D20 A)		Diesel	RWD	1995	110	150	07.15-09.20	■	
2 Serie (F22, F87) 10.12-					Coupe (Compact car-C Segment)				
218i (B38 B15 A)	not Performance brak	Gasolina	RWD	1499	100	136	03.15-06.21	■	
218d (B47 D20 A)		Diesel	RWD	1995	100	136	03.14-09.20	■	
218d (N47 D20 C)		Diesel	RWD	1995	100	136	03.14-09.20	■	
218d (N47 D20 C)	not M technique, South Korea, not Performance brak	Diesel	RWD	1995	105	143	03.14-06.15	■	
218d (B47 D20 A)		Diesel	RWD	1995	110	150	07.15-09.20	■	