

# LISTA DE APLICACIONES - BUYERS GUIDE

## 182064

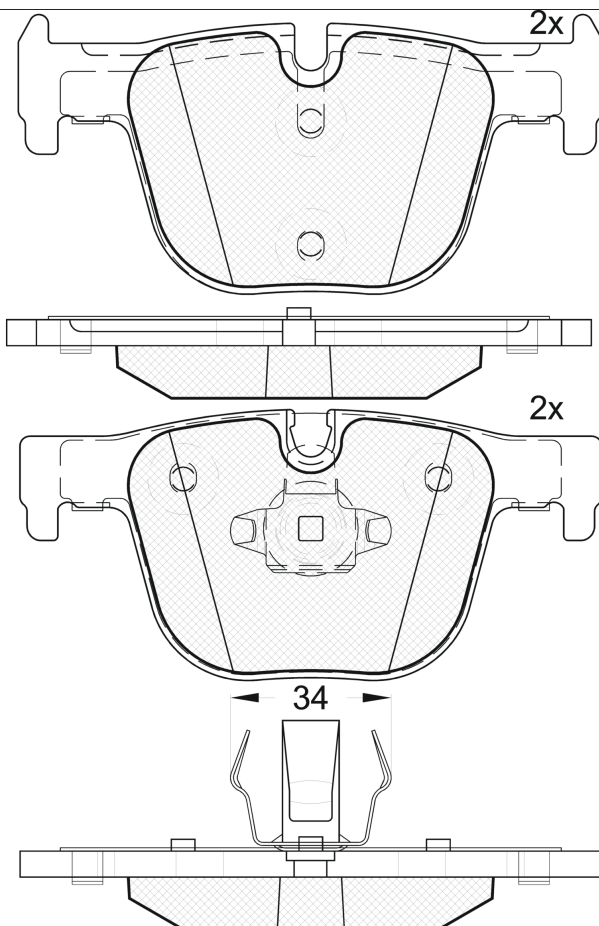


8 424073 105448

Qty: 300

Weight: 1.250

O.E.M.	MAKE
34 20 6 799 813	BMW
34 21 2 468 438	BMW
34 21 6 850 570	BMW
34218855007	BMW



## 182064

E 9 90R-02A0111/3231



Bosch

123.1x57.3x17.3
123.8x59.2x17.3

WVA	FMSI
25025	D1610-8823
25026	
25027	
25514	
25515	
<b>MAKE</b>	
BMW	
BMW (BRILLIANCE)	



Trac.	CC	Kw	CV
Front / Rear			



Front / Rear

### BMW

3 Serie VI (F30, F80) 11.11-10.18					Saloon (Compact executive car-D Segment)			
335 i (N55 B30 A)	not sports package	Gasolina	RWD	2979	225	306	11.11-07.15	■
335 i xDrive (N55 B30 A)	not M technique	Gasolina	4WD	2979	225	306	07.12-07.15	■
335 i (N55 B30 A)		Gasolina	RWD	2979	240	326	11.11-06.13	■
335 i xDrive (N55 B30 A)		Gasolina	4WD	2979	240	326	07.12-06.13	■
335 i (N55 B30 A)		Gasolina	RWD	2979	250	340	07.13-07.15	■
335 i xDrive (N55 B30 A)		Gasolina	4WD	2979	250	340	07.12-07.15	■
340 i (B58 B30 A)	not M technique, discØ 330	Gasolina	RWD	2998	240	326	07.15-10.18	■
340 i xDrive (B58 B30 A)	not M technique, discØ 330	Gasolina	4WD	2998	240	326	07.15-10.18	■
340 i (B58 B30 A)	not M technique, discØ 330	Gasolina	RWD	2998	265	360	07.15-10.18	■
340 i xDrive (B58 B30 A)	not M technique, discØ 330	Gasolina	4WD	2998	265	360	07.15-10.18	■
ActiveHybrid (N55 B30 A)		Gasol./el éc.	RWD	2979	225	306	07.12-06.15	■
ActiveHybrid (N55 B30 A)	not M technique	Gasol./el éc.	RWD	2979	250	340	07.12-06.15	■
330 d (N57 D30 A)		Diesel	RWD	2993	190	258	07.12-10.18	■
330 d xDrive (N57 D30 A)	not M technique	Diesel	4WD	2993	190	258	03.13-10.18	■
330 d (N57 D30 A)		Diesel	RWD	2993	210	286	07.12-10.18	■
330 d xDrive (N57 D30 A)		Diesel	4WD	2993	210	286	03.13-10.18	■
335 d xDrive (N57 D30 B)	not M technique, not Performance brak	Diesel	4WD	2993	230	313	07.13-10.18	■
3 Serie VI GRAN TURISMO (F34) 07.12-					Hatchback (Compact executive car-D Segment)			
335 i (N55 B30 A)	not M technique, not Performance brak	Gasolina	RWD	2979	225	306	03.13-06.16	■
335 i xDrive (N55 B30 A)	not M technique	Gasolina	4WD	2979	225	306	07.13-06.16	■

# LISTA DE APLICACIONES - BUYERS GUIDE

335 i (N55 B30 A)	not M technique	Gasolina	RWD	2979	240	326	03.13-03.14	■	
335 i xDrive (N55 B30 A)	not M technique	Gasolina	4WD	2979	240	326	03.13-03.14	■	
335 i (N55 B30 A)	not M technique	Gasolina	RWD	2979	250	340	04.14-06.16	■	
335 i xDrive (N55 B30 A)	not M technique	Gasolina	4WD	2979	250	340	04.14-06.16	■	
340 i (B58 B30 A)	Eq.V_ L807A	Gasolina	RWD	2998	240	326	07.16-	■	
340 i xDrive (B58 B30 A)	Eq.V_ L807A	Gasolina	4WD	2998	240	326	07.16-	■	
340 i (B58 B30 A)		Gasolina	RWD	2998	265	360	07.16-	■	
340 i xDrive (B58 B30 A)		Gasolina	4WD	2998	265	360	07.16-	■	
330 d (N57 D30 A)	not M technique	Diesel	RWD	2993	190	258	03.14-	■	
330 d xDrive (N57 D30 A)	not M technique, not Performance brak	Diesel	4WD	2993	190	258	03.14-	■	
330 d (N57 D30 A)	not M technique, not Performance brak	Diesel	RWD	2993	210	286	03.14-	■	
330 d xDrive (N57 D30 A)	not M technique, not Performance brak	Diesel	4WD	2993	210	286	03.14-	■	
335 d xDrive (N57 D30 B)	not M technique	Diesel	4WD	2993	230	313	03.14-	■	
<b>3 Serie VI Touring (F31) 07.12-06.19</b>					<b>Estate (Compact executive car-D Segment)</b>				
335 i (N55 B30 A)	not M technique	Gasolina	RWD	2979	225	306	03.13-06.15	■	
335 i xDrive (N55 B30 A)	not M technique	Gasolina	4WD	2979	225	306	03.13-06.15	■	
335 i (N55 B30 A)		Gasolina	RWD	2979	240	326	03.13-06.13	■	
335 i xDrive (N55 B30 A)		Gasolina	4WD	2979	240	326	03.13-06.13	■	
335 i (N55 B30 A)		Gasolina	RWD	2979	250	340	07.13-06.15	■	
335 i xDrive (N55 B30 A)		Gasolina	4WD	2979	250	340	07.13-06.15	■	
340 i (B58 B30 A)	not M technique, discØ 330	Gasolina	RWD	2998	240	326	07.15-06.19	■	
340 i xDrive (B58 B30 A)	not M technique, discØ 330	Gasolina	4WD	2998	240	326	07.15-06.19	■	
340 i (B58 B30 A)	not M technique, discØ 330	Gasolina	RWD	2998	265	360	07.15-06.19	■	
340 i xDrive (B58 B30 A)	not M technique, discØ 330	Gasolina	4WD	2998	265	360	07.15-06.19	■	
320 d (B47 D20 A)		Diesel	RWD	1995	120	163	07.12-06.19	■	
320 d (N47 D20 C)		Diesel	RWD	1995	120	163	07.12-06.19	■	
320 d xDrive (B47 D20 A)		Diesel	4WD	1995	120	163	03.13-06.19	■	
320 d xDrive (N47 D20 C)		Diesel	4WD	1995	120	163	03.13-06.19	■	
320 d (N47 D20 C)		Diesel	RWD	1995	135	184	07.12-02.16	■	
320 d xDrive (N47 D20 C)		Diesel	4WD	1995	135	184	03.13-06.15	■	
320 d (B47 D20 A)		Diesel	RWD	1995	140	190	07.15-06.19	■	
320 d xDrive (B47 D20 A)		Diesel	4WD	1995	140	190	07.15-06.19	■	
320 d (N47 D20 C)		Diesel	RWD	1995	147	200	07.12-02.16	■	
320 d xDrive (N47 D20 C)		Diesel	4WD	1995	147	200	03.13-06.15	■	
325 d (N47 D20 D)		Diesel	RWD	1995	155	211	03.13-02.16	■	
325 d (N47 D20 D)	not M technique, reinforced brakes	Diesel	RWD	1995	160	218	03.13-02.16	■	
330 d (N57 D30 A)		Diesel	RWD	2993	190	258	07.12-06.19	■	
330 d xDrive (N57 D30 A)		Diesel	4WD	2993	190	258	03.13-06.19	■	
330 d (N57 D30 A)		Diesel	RWD	2993	210	286	07.12-06.19	■	
330 d M Performance Power Kit xDrive (N57 D30 A)		Diesel	4WD	2993	210	286	03.13-06.19	■	
335 d xDrive (N57 D30 B)		Diesel	4WD	2993	230	313	11.13-06.19	■	
<b>3 Serie VI Touring Van (F31) 07.12-06.19</b>					<b>Estate Van (Compact executive car-D Segment)</b>				
340 i (B58 B30 A)	Eq.V_ L807A	Gasolina	RWD	2998	240	326	07.15-06.19	■	
330 d (N57 D30 A)		Diesel	RWD	2993	190	258	07.12-06.19	■	
330 d xDrive (N57 D30 A)		Diesel	4WD	2993	190	258	03.13-06.19	■	
<b>4 Serie (F33, F83) 10.13-</b>					<b>Convertible (Compact executive car-D Segment)</b>				
435 i (N55 B30 A)	not M technique	Gasolina	RWD	2979	225	306	11.13-02.16	■	

# LISTA DE APLICACIONES - BUYERS GUIDE

435 i xDrive (N55 B30 A)	not M technique	Gasolina	4WD	2979	225	306	07.14-02.16	■	
435 i (N55 B30 A)	not M technique	Gasolina	RWD	2979	250	340	11.13-02.16	■	
435 i xDrive (N55 B30 A)	not M technique	Gasolina	4WD	2979	250	340	07.14-02.16	■	
440 i (B58 B30 A)		Gasolina	RWD	2998	240	326	03.16-07.20	■	
440 i xDrive (B58 B30 A)		Gasolina	4WD	2998	240	326	03.16-07.20	■	
440 i (B58 B30 A)		Gasolina	RWD	2998	265	360	03.16-07.20	■	
440 i xDrive (B58 B30 A)		Gasolina	4WD	2998	265	360	03.16-07.20	■	
430 d (N57 D30 A)		Diesel	RWD	2993	190	258	07.14-07.20	■	
430 d (N57 D30 A)	not M technique	Diesel	RWD	2993	210	286	07.14-07.20	■	
435 d xDrive (N57 D30 B)		Diesel	4WD	2993	230	313	07.14-07.20	■	
<b>4 Serie (F32, F82) 07.13-</b>							<b>Coupe (Compact executive car-D Segment)</b>		
435 i (N55 B30 A)	not M technique	Gasolina	RWD	2979	225	306	07.13-02.16	■	
435 i (N55 B30 A)	not M technique	Gasolina	RWD	2979	225	306	03.14-02.16	■	
435 i xDrive (N55 B30 A)	not M technique	Gasolina	4WD	2979	225	306	07.13-02.16	■	
435 i xDrive (N55 B30 A)	not M technique	Gasolina	4WD	2979	225	306	07.14-02.16	■	
435 i (N55 B30 A)	not M technique	Gasolina	RWD	2979	250	340	07.13-02.16	■	
435 i (N55 B30 A)	not M technique	Gasolina	RWD	2979	250	340	03.14-02.16	■	
435 i xDrive (N55 B30 A)	not M technique	Gasolina	4WD	2979	250	340	07.13-02.16	■	
435 i xDrive (N55 B30 A)	not M technique	Gasolina	4WD	2979	250	340	07.14-02.16	■	
440 i (B58 B30 A)		Gasolina	RWD	2998	240	326	03.16-06.20	■	
440 i (B58 B30 A)	not M technique, not Performance brak	Gasolina	RWD	2998	240	326	03.16-05.21	■	
440 i xDrive (B58 B30 A)		Gasolina	4WD	2998	240	326	03.16-06.20	■	
440 i xDrive (B58 B30 A)	not M technique, not Performance brak	Gasolina	4WD	2998	240	326	03.16-05.21	■	
440 i (B58 B30 A)		Gasolina	RWD	2998	265	360	03.16-06.20	■	
440 i (B58 B30 A)	not M technique, not Performance brak	Gasolina	RWD	2998	265	360	03.16-05.21	■	
440 i xDrive (B58 B30 A)		Gasolina	4WD	2998	265	360	03.16-06.20	■	
440 i xDrive (B58 B30 A)	not M technique, not Performance brak	Gasolina	4WD	2998	265	360	03.16-05.21	■	
430 d (N57 D30 A)	not M technique	Diesel	RWD	2993	190	258	11.13-06.20	■	
430 d (N57 D30 A)	not M technique	Diesel	RWD	2993	190	258	07.14-12.20	■	
430 d xDrive (N57 D30 A)		Diesel	4WD	2993	190	258	03.14-06.20	■	
430 d xDrive (N57 D30 A)	not M technique	Diesel	4WD	2993	190	258	07.14-12.20	■	
430 d (N57 D30 A)	not M technique	Diesel	RWD	2993	210	286	11.13-06.20	■	
430 d (N57 D30 A)	not M technique	Diesel	RWD	2993	210	286	07.14-12.20	■	
430 d xDrive (N57 D30 A)	not M technique	Diesel	4WD	2993	210	286	03.14-06.20	■	
430 d xDrive (N57 D30 A)	not M technique	Diesel	4WD	2993	210	286	07.14-12.20	■	
435 d xDrive (N57 D30 B)	not M technique	Diesel	4WD	2993	230	313	11.13-06.20	■	
435 d xDrive (N57 D30 B)	not M technique	Diesel	4WD	2993	230	313	07.14-12.20	■	
<b>BMW (BRILLIANCE)</b>									
<b>3 SERIES VI (F30, F35) 07.12-</b>							<b>Saloon (Compact executive car-D Segment)</b>		
325Li	not sports package	Gasolina	FWD	2979	225	306	07.12-	■	