

# LISTA DE APLICACIONES - BUYERS GUIDE

## 182070

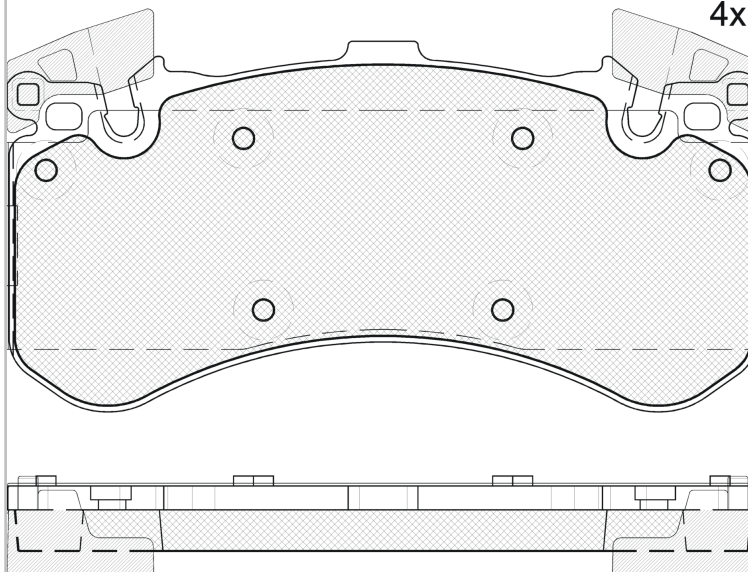


8 424073 105509

Qty: 300

Weight: 4.435

O.E.M.	MAKE
4G0 698 151 AB	AUDI
4G0 698 151 F	AUDI
4G0698151AF	AUDI
4H0 698 151	AUDI
4H0 698 151 F	AUDI
4H0 698 151 J	AUDI
4H0 698 151 Q	AUDI
4H0 698 151 R	AUDI
4H6 698 151	AUDI



## 182070

E 9 90R-02A0111/3106



Brembo

189.4x101x17

WVA	FMSI
24801	D1575-8788
24847	
MAKE	
AUDI	
VW	



Trac.	CC	Kw	CV
-------	----	----	----



Front / Rear

### AUDI

#### A6 IV C7 (4G2, 4GC) 11.10-

#### Saloon (Executive car-E Segment)

Engine/Spec	Trac.	CC	Kw	CV	Year	Status
1.8 TFSI (CYGA)	PR 1LU	Gasolina	FWD	1798	140 190 09.14-09.18	■
2.0 TFSI (CDNB)	PR 1LU	Gasolina	FWD	1984	132 180 05.11-09.18	■
2.0 TFSI (CAEB)	PR 1LU	Gasolina	FWD	1984	155 211 03.11-05.13	■
2.0 TFSI quattro (CAEB)	PR 1LU	Gasolina	4WD	1984	155 211 05.12-04.15	■
2.0 TFSI (CAED)	PR 1LU	Gasolina	FWD	1984	162 220 05.13-09.18	■
2.0 TFSI quattro (CAED)	PR 1LU	Gasolina	4WD	1984	162 220 05.13-09.18	■
2.0 TFSI quattro (CYPB)	PR 1LU	Gasolina	4WD	1984	183 249 05.15-09.18	■
2.0 TFSI (CYNB)	PR 1LU	Gasolina	FWD	1984	185 252 09.14-09.18	■
2.0 TFSI (CYPA)	PR 1LU	Gasolina	FWD	1984	185 252 09.14-09.18	■
2.0 TFSI quattro (CYNB)	PR 1LU	Gasolina	4WD	1984	185 252 05.14-09.18	■
2.0 TFSI quattro (CYPA)	PR 1LU	Gasolina	4WD	1984	185 252 05.14-09.18	■
2.8 FSI (CHVA)	PR 1LU	Gasolina	FWD	2773	150 204 11.10-04.15	■
2.8 FSI quattro (CHVA)	PR 1LU	Gasolina	4WD	2773	150 204 11.10-04.15	■
2.8 FSI quattro (CVPA)	PR 1LU	Gasolina	4WD	2773	162 220 09.14-09.18	■
3.0	PR 1LU, 04/11-	Gasolina	FWD	2995	213 290 11.11-	■
3.0	PR 1LU, 04/11-	Gasolina	FWD	2995	213 290 11.11-	■
3.0 TFSI quattro (CCAA)	PR 1LU, 04/11-	Gasolina	4WD	2995	220 300 11.10-05.12	■
3.0 TFSI quattro (CGWB)	PR 1LU, 04/11-	Gasolina	4WD	2995	220 300 11.10-05.12	■
3.0 TFSI quattro (CGWD)	PR 1LU, 04/11-	Gasolina	4WD	2995	228 310 03.11-09.18	■
3.0 TFSI quattro (CGXB)	PR 1LU, 04/11-	Gasolina	4WD	2995	228 310 03.11-09.18	■
3.0 TFSI quattro (CTUA)	PR 1LU, 04/11-	Gasolina	4WD	2995	228 310 03.11-09.18	■
3.0 TFSI quattro (CREC)	PR 1LU	Gasolina	4WD	2995	245 333 09.14-09.18	■
S6 quattro (CEUC)		Gasolina	4WD	3993	309 420 02.12-09.18	■

# LISTA DE APLICACIONES - BUYERS GUIDE

S6 quattro (CTGE)		Gasolina	4WD	3993	331	450	10.14-09.18	■	
2.0 TFSI Hybrid (CHJA)	PR 1LU	Gasol./el éc.	FWD	1984	180	245	11.11-04.15	■	
2.0 TDI (CSUD)	PR 1LU	Diesel	FWD	1968	110	150	09.14-09.18	■	
2.0 TDI (DDCB)	PR 1LU	Diesel	FWD	1968	110	150	09.14-09.18	■	
2.0 TDI (CGLD)	PR 1LU	Diesel	FWD	1968	120	163	03.11-09.18	■	
2.0 TDI (CGLC)	PR 1LU	Diesel	FWD	1968	130	177	03.11-09.18	■	
2.0 TDI (CMGB)	PR 1LU	Diesel	FWD	1968	130	177	03.11-09.18	■	
2.0 TDI (CNHA)	PR 1LU	Diesel	FWD	1968	140	190	11.13-09.18	■	
2.0 TDI (CZJA)	PR 1LU	Diesel	FWD	1968	140	190	11.13-09.18	■	
2.0 TDI (DDDA)	PR 1LU	Diesel	FWD	1968	140	190	11.13-09.18	■	
2.0 TDI quattro (CNHA)	PR 1LU	Diesel	4WD	1968	140	190	04.15-09.18	■	
2.0 TDI quattro (DDDA)	PR 1LU	Diesel	4WD	1968	140	190	04.15-09.18	■	
3.0 TDI (CLAB)	PR 1LU	Diesel	FWD	2967	150	204	11.10-09.18	■	
3.0 TDI quattro (CLAA)	PR 1LU, 04/11-	Diesel	4WD	2967	150	204	03.11-09.18	■	
3.0 TDI (CTCB)	PR 1LU	Diesel	FWD	2967	155	211	09.14-09.18	■	
3.0 TDI (CZVD)	PR 1LU	Diesel	FWD	2967	155	211	09.14-09.18	■	
3.0 TDI quattro (CRTF)	PR 1LU	Diesel	4WD	2967	155	211	09.14-09.18	■	
3.0 TDI quattro (CZVC)	PR 1LU	Diesel	4WD	2967	155	211	09.14-09.18	■	
3.0 TDI (CTCC)	PR 1LU	Diesel	FWD	2967	160	218	09.14-09.18	■	
3.0 TDI (CZVB)	PR 1LU	Diesel	FWD	2967	160	218	09.14-09.18	■	
3.0 TDI quattro (CRTE)	PR 1LU	Diesel	4WD	2967	160	218	09.14-09.18	■	
3.0 TDI quattro (CZVA)	PR 1LU	Diesel	4WD	2967	160	218	09.14-09.18	■	
3.0 TDI quattro	PR 1LU	Diesel	4WD	2967	176	239	05.13-	■	
3.0 TDI quattro (CDUC)	PR 1LU, 04/11-	Diesel	4WD	2967	180	245	03.11-09.18	■	
3.0 TDI quattro (CDUD)	PR 1LU, 04/11-	Diesel	4WD	2967	180	245	03.11-09.18	■	
3.0 TDI quattro (CKVB)	PR 1LU, 04/11-	Diesel	4WD	2967	180	245	03.11-09.18	■	
3.0 TDI quattro (CKVC)	PR 1LU, 04/11-	Diesel	4WD	2967	180	245	03.11-09.18	■	
3.0 TDI quattro (CRTD)	PR 1LU	Diesel	4WD	2967	200	272	09.14-09.18	■	
3.0 TDI quattro (CGQB)	PR 1LU	Diesel	4WD	2967	230	313	11.11-09.18	■	
3.0 TDI quattro (CVUA)	PR 1LU	Diesel	4WD	2967	235	320	09.14-09.18	■	
3.0 TDI quattro (CVUB)	PR 1LU	Diesel	4WD	2967	240	326	09.14-09.18	■	
<b>A6 IV C7 Avant (4G5, 4GD) 05.11-</b>					<b>Estate (Executive car-E Segment)</b>				
1.8 TFSI (CYGA)	PR 1LU	Gasolina	FWD	1798	140	190	09.14-09.18	■	
2.0 TFSI (CDNB)	PR 1LU	Gasolina	FWD	1984	132	180	06.11-09.18	■	
2.0 TFSI quattro (CYPB)	PR 1LU	Gasolina	4WD	1984	183	249	05.15-09.18	■	
2.0 TFSI (CYNB)	PR 1LU	Gasolina	FWD	1984	185	252	09.14-09.18	■	
2.0 TFSI (CYPA)	PR 1LU	Gasolina	FWD	1984	185	252	09.14-09.18	■	
2.0 TFSI quattro (CYPA)	PR 1LU	Gasolina	4WD	1984	185	252	05.15-09.18	■	
2.8 FSI (CHVA)	PR 1LU, 09/11-	Gasolina	FWD	2773	150	204	05.11-04.15	■	
2.8 FSI quattro (CHVA)	PR 1LU	Gasolina	4WD	2773	150	204	05.11-04.15	■	
2.8 FSI quattro (CVPA)	PR 1LU	Gasolina	4WD	2773	162	220	09.14-09.18	■	
3.0 TFSI quattro (CGWB)	PR 1LU, 09/11-	Gasolina	4WD	2995	220	300	05.11-05.12	■	
3.0 TFSI quattro (CGWD)	PR 1LU	Gasolina	4WD	2995	228	310	11.11-09.18	■	
3.0 TFSI quattro (CREC)	PR 1LU	Gasolina	4WD	2995	245	333	09.14-09.18	■	
S6 quattro (CEUC)		Gasolina	4WD	3993	309	420	02.12-09.18	■	
S6 quattro (CTGE)	PR 1LU	Gasolina	4WD	3993	331	450	10.14-09.18	■	
RS6 quattro (CRDB)	PR 1LU, 03/13-	Gasolina	4WD	3993	412	560	01.13-09.18	■	
RS6 quattro (CWUB)	PR 1LU, 03/13-	Gasolina	4WD	3993	412	560	01.13-09.18	■	
2.0 TDI (CSUD)	PR 1LU	Diesel	FWD	1968	110	150	09.14-09.18	■	
2.0 TDI (DDCB)	PR 1LU	Diesel	FWD	1968	110	150	09.14-09.18	■	
2.0 TDI (CGLD)	PR 1LU, 09/11-	Diesel	FWD	1968	120	163	05.11-09.18	■	

# LISTA DE APLICACIONES - BUYERS GUIDE

2.0 TDI (CGLC)	PR 1LU, 09/11-	Diesel	FWD	1968	130	177	05.11-09.18	■
2.0 TDI (CMGB)	PR 1LU, 09/11-	Diesel	FWD	1968	130	177	05.11-09.18	■
2.0 TDI (CNHA)	PR 1LU	Diesel	FWD	1968	140	190	11.13-09.18	■
2.0 TDI (CZJA)	PR 1LU	Diesel	FWD	1968	140	190	11.13-09.18	■
2.0 TDI (DDDA)	PR 1LU	Diesel	FWD	1968	140	190	11.13-09.18	■
2.0 TDI quattro (CNHA)	PR 1LU	Diesel	4WD	1968	140	190	04.15-09.18	■
2.0 TDI quattro (DDDA)	PR 1LU	Diesel	4WD	1968	140	190	04.15-09.18	■
3.0 TDI (CLAB)	PR 1LU	Diesel	FWD	2967	150	204	05.11-09.18	■
3.0 TDI quattro (CLAA)	PR 1LU, 12/11-	Diesel	4WD	2967	150	204	05.11-09.18	■
3.0 TDI (CTCB)	PR 1LU	Diesel	FWD	2967	155	211	09.14-09.18	■
3.0 TDI (CZVD)	PR 1LU	Diesel	FWD	2967	155	211	09.14-09.18	■
3.0 TDI quattro (CRTF)	PR 1LU	Diesel	4WD	2967	155	211	09.14-09.18	■
3.0 TDI quattro (CZVC)	PR 1LU	Diesel	4WD	2967	155	211	09.14-09.18	■
3.0 TDI (CTCC)	PR 1LU	Diesel	FWD	2967	160	218	09.14-09.18	■
3.0 TDI (CZVB)	PR 1LU	Diesel	FWD	2967	160	218	09.14-09.18	■
3.0 TDI quattro (CRTE)	PR 1LU	Diesel	4WD	2967	160	218	09.14-09.18	■
3.0 TDI quattro (CZVA)	PR 1LU	Diesel	4WD	2967	160	218	09.14-09.18	■
3.0 TDI quattro (CDUC)	PR 1LU, 12/11-	Diesel	4WD	2967	180	245	05.11-09.18	■
3.0 TDI quattro (CDUD)	PR 1LU, 12/11-	Diesel	4WD	2967	180	245	05.11-09.18	■
3.0 TDI quattro (CKVB)	PR 1LU, 12/11-	Diesel	4WD	2967	180	245	05.11-09.18	■
3.0 TDI quattro (CKVC)	PR 1LU, 12/11-	Diesel	4WD	2967	180	245	05.11-09.18	■
3.0 TDI quattro (CRTD)	PR 1LU	Diesel	4WD	2967	200	272	09.14-09.18	■
3.0 TDI quattro (CGQB)	PR 1LU, 12/11-	Diesel	4WD	2967	230	313	11.11-09.18	■
3.0 TDI quattro (CVUA)	PR 1LU	Diesel	4WD	2967	235	320	09.14-09.18	■
3.0 TDI quattro (CVUB)	PR 1LU	Diesel	4WD	2967	240	326	09.14-09.18	■
<b>A7 Sportback (4GA, 4GF) 07.10-11.19</b>							<b>Hatchback (Executive car-E Segment)</b>	
1.8 TFSI (CYGA)	PR 1LU	Gasolina	FWD	1798	140	190	04.15-05.18	■
2.0 TFSI quattro (CYPB)	PR 1LU	Gasolina	4WD	1984	183	249	05.15-05.18	■
2.0 TFSI (CYPA)	PR 1LU	Gasolina	FWD	1984	185	252	09.14-05.18	■
2.0 TFSI quattro (CYNB)	PR 1LU	Gasolina	4WD	1984	185	252	05.15-05.18	■
2.0 TFSI quattro (CYPA)	PR 1LU	Gasolina	4WD	1984	185	252	05.15-05.18	■
2.8 FSI (CHVA)	PR 1LU, 05/11-	Gasolina	FWD	2773	150	204	02.11-03.15	■
2.8 FSI quattro (CHVA)	PR 1LU	Gasolina	4WD	2773	150	204	10.10-03.15	■
2.8 FSI quattro (CNYA)	PR 1LU	Gasolina	4WD	2773	150	204	10.10-03.15	■
2.8 FSI quattro (CVPA)		Gasolina	4WD	2773	162	220	09.14-05.18	■
3.0 TFSI quattro (CGWB)	PR 1LU	Gasolina	4WD	2995	220	300	10.10-05.12	■
3.0 TFSI quattro (CHMA)	PR 1LU	Gasolina	4WD	2995	220	300	10.10-05.12	■
3.0 TFSI quattro (CGWD)	PR 1LU	Gasolina	4WD	2995	228	310	01.11-03.15	■
3.0 TFSI quattro (CGXB)	PR 1LU	Gasolina	4WD	2995	228	310	01.11-03.15	■
3.0 TFSI quattro (CTTA)	PR 1LU	Gasolina	4WD	2995	228	310	01.11-03.15	■
3.0 TFSI quattro (CTUA)	PR 1LU	Gasolina	4WD	2995	228	310	01.11-03.15	■
3.0 TFSI quattro (CREC)	PR 1LU	Gasolina	4WD	2995	245	333	05.14-05.18	■
S7 quattro (CEUC)		Gasolina	4WD	3993	309	420	02.12-03.15	■
S7 quattro (CTGE)	PR 1LU	Gasolina	4WD	3993	331	450	07.14-05.18	■
3.0 TDI (CZVE)	PR 1LU	Diesel	FWD	2967	140	190	11.15-05.18	■
3.0 TDI quattro (CZVE)	PR 1LU	Diesel	4WD	2967	140	190	11.15-05.18	■
3.0 TDI quattro (CZVF)	PR 1LU	Diesel	4WD	2967	140	190	11.15-05.18	■
3.0 TDI (CLAB)	PR 1LU	Diesel	FWD	2967	150	204	11.10-03.15	■
3.0 TDI quattro (CLAA)	PR 1LU	Diesel	4WD	2967	150	204	12.10-03.15	■
3.0 TDI (CZVD)	PR 1LU	Diesel	FWD	2967	155	211	11.15-05.18	■
3.0 TDI quattro (CRTF)	PR 1LU	Diesel	4WD	2967	155	211	07.14-05.18	■

# LISTA DE APLICACIONES - BUYERS GUIDE

3.0 TDI quattro (CTCB)	PR 1LU	Diesel	4WD	2967	155	211	07.14-05.18	■	
3.0 TDI quattro (CZVC)	PR 1LU	Diesel	4WD	2967	155	211	07.14-05.18	■	
3.0 TDI (CTCC)	PR 1LU	Diesel	FWD	2967	160	218	07.14-05.18	■	
3.0 TDI (CZVB)	PR 1LU	Diesel	FWD	2967	160	218	07.14-05.18	■	
3.0 TDI quattro (CRTE)	PR 1LU	Diesel	4WD	2967	160	218	07.14-05.18	■	
3.0 TDI quattro (CZVA)	PR 1LU	Diesel	4WD	2967	160	218	07.14-05.18	■	
3.0 TDI quattro (CPNB)	PR 1LU	Diesel	4WD	2967	176	239	05.13-06.17	■	
3.0 TDI quattro (CDUC)	PR 1LU	Diesel	4WD	2967	180	245	10.10-06.16	■	
3.0 TDI quattro (CDUD)	PR 1LU	Diesel	4WD	2967	180	245	10.10-06.16	■	
3.0 TDI quattro (CKVB)	PR 1LU	Diesel	4WD	2967	180	245	10.10-06.16	■	
3.0 TDI quattro (CKVC)	PR 1LU	Diesel	4WD	2967	180	245	10.10-06.16	■	
3.0 TDI quattro (CRTD)	PR 1LU	Diesel	4WD	2967	200	272	05.14-05.18	■	
3.0 TDI quattro (CGQB)	PR 1LU	Diesel	4WD	2967	230	313	11.11-03.15	■	
3.0 TDI quattro (CVUA)	PR 1LU	Diesel	4WD	2967	235	320	05.14-05.18	■	
3.0 TDI quattro (CVUB)	PR 1LU	Diesel	4WD	2967	240	326	09.14-05.18	■	
<b>A8 III D4 (4H2, 4H8, 4HC, 4HL) 11.09-</b>							<b>Saloon (Luxury car-F Segment)</b>		
2.0 TFSI quattro (CYPA)	PR 1LN, PR 1LX, PR F4S, discØ 400	Gasolina	4WD	1984	185	252	09.16-01.18	■	
2.5 TFSI (CPAA)	PR 1LN, PR 1LX, PR FUS, discØ 400	Gasolina	FWD	2498	150	204	07.12-06.16	■	
2.5 TFSI (CVBA)	PR 1LN, PR 1LX, PR FUS, discØ 400	Gasolina	FWD	2498	150	204	07.12-06.16	■	
3.0 TFSI quattro (CGWA)	PR 1LN, PR 1LX, PR FUS, discØ 400	Gasolina	4WD	2995	213	290	07.10-04.14	■	
3.0 TFSI quattro (CGXA)	PR 1LN, PR 1LX, PR FUS, discØ 400	Gasolina	4WD	2995	213	290	07.10-04.14	■	
3.0 TFSI quattro (CREG)	PR 1LN, PR 1LX, PR FUS, discØ 400	Gasolina	4WD	2995	213	290	07.10-04.14	■	
3.0 TFSI quattro (CGWD)	01/12-, PR 1LN, PR 1LX, PR FUS, discØ 400	Gasolina	4WD	2995	228	310	11.11-01.18	■	
3.0 TFSI quattro (CREA)	01/12-, PR 1LN, PR 1LX, PR FUS, discØ 400	Gasolina	4WD	2995	228	310	11.11-01.18	■	
3.0 TFSI quattro (CGXC)	PR 1LN, PR 1LX, PR FUS, discØ 400	Gasolina	4WD	2995	245	333	06.10-01.18	■	
3.0 TFSI quattro (CMDA)	PR 1LN, PR 1LX, PR FUS, discØ 400	Gasolina	4WD	2995	245	333	06.10-01.18	■	
3.0 TFSI quattro (CREC)	PR 1LN, PR 1LX, PR FUS, discØ 400	Gasolina	4WD	2995	245	333	06.10-01.18	■	
3.0 TFSI quattro (CTDA)	PR 1LN, PR 1LX, PR FUS, discØ 400	Gasolina	4WD	2995	245	333	06.10-01.18	■	
3.0 TFSI quattro (CTUB)	PR 1LN, PR 1LX, PR FUS, discØ 400	Gasolina	4WD	2995	245	333	06.10-01.18	■	
4.0 TFSI quattro (CEUA)	PR 1LN, PR 1LX, PR F4S, discØ 400, armoured vehicles	Gasolina	4WD	3993	309	420	03.12-12.14	■	
4.0 TFSI quattro (CTGA)	PR 1LN, PR 1LX, PR F4S, armoured vehicles	Gasolina	4WD	3993	320	435	10.13-12.15	■	
S8 quattro (CGTA)	PR 1LN, PR 1LX, PR F4S, discØ 400, armoured vehicles	Gasolina	4WD	3993	382	520	04.12-01.18	■	
S8 quattro (CTFA)	PR 1LN, PR 1LX, PR F4S, discØ 400, armoured vehicles	Gasolina	4WD	3993	382	520	04.12-01.18	■	
S8 plus quattro (DDTA)	PR 1LN, PR 1LX, PR F4S, discØ 400, armoured vehicles	Gasolina	4WD	3993	445	605	11.15-01.18	■	
4.2 FSI quattro (CDRA)	01/10-, PR 1LN, PR 1LX, PR F4S, discØ 400, armoured vehicles	Gasolina	4WD	4163	273	371	11.09-12.12	■	
6.3 W12 quattro (CEJA)	PR 1LN, PR 1LX, PR F4S, discØ 400, armoured vehicles	Gasolina	4WD	6299	368	500	01.11-01.18	■	
6.3 W12 quattro (CTNA)	PR 1LN, PR 1LX, PR F4S, discØ 400, armoured vehicles	Gasolina	4WD	6299	368	500	01.11-01.18	■	
2.0 TFSI Hybrid (CHJA)	PR 1LN, PR 1LX, PR F4S, discØ 400	Gasol./el éc.	FWD	1984	180	245	02.12-11.15	■	
3.0 TDI (CLAB)	PR 1LN, PR 1LX, PR FUS, discØ 400	Diesel	FWD	2967	150	204	09.11-09.13	■	
3.0 TDI quattro (CDTB)	PR 1LN, PR 1LX, PR FUS, discØ 400	Diesel	4WD	2967	155	211	08.10-11.15	■	

# LISTA DE APLICACIONES - BUYERS GUIDE

3.0 TDI quattro (CTBB)	PR 1LN, PR 1LX, PR FUS, discØ 400	Diesel	4WD	2967	155	211	08.10-11.15	■	
3.0 TDI quattro (CPNA)	PR 1LN, PR 1LX	Diesel	4WD	2967	176	239	11.12-06.16	■	
3.0 TDI quattro (CPNB)	PR 1LN, PR 1LX	Diesel	4WD	2967	176	239	11.12-06.16	■	
3.0 TDI quattro (CDTA)	PR 1LN, PR 1LX, PR FUS, discØ 400	Diesel	4WD	2967	184	250	07.10-01.18	■	
3.0 TDI quattro (CDTC)	PR 1LN, PR 1LX, PR FUS, discØ 400	Diesel	4WD	2967	184	250	07.10-01.18	■	
3.0 TDI quattro (CMHA)	PR 1LN, PR 1LX, PR FUS, discØ 400	Diesel	4WD	2967	184	250	07.10-01.18	■	
3.0 TDI quattro (CTBA)	PR 1LN, PR 1LX	Diesel	4WD	2967	190	258	10.13-01.18	■	
3.0 TDI quattro (CTBD)	PR 1LN, PR 1LX	Diesel	4WD	2967	193	262	05.15-01.18	■	
4.2 TDI quattro (CDSB)	01/10-, PR 1LN, PR 1LX, PR F4S, discØ 400, armoured vehicles	Diesel	4WD	4134	258	351	11.09-04.14	■	
4.2 TDI quattro (CTEC)	PR 1LN, PR 1LX, PR F4S, armoured vehicles	Diesel	4WD	4134	283	385	10.13-01.18	■	
<b>Q5 (8RB) 11.08-12.17</b>					<b>SUV Van (Luxury Crossover SUV-J Segment)</b>				
3.0 TDI quattro	PR 1LV, PR 1ZK	Diesel	4WD	2967	190	258	11.13-05.17	■	
<b>Q5 (8RB) 11.08-</b>					<b>SUV (Luxury Crossover SUV-J Segment)</b>				
SQ5 TFSI quattro (CTUD)	PR 1LV, PR 1ZK	Gasolina	4WD	2995	260	354	05.13-05.17	■	
SQ5 TFSI quattro (CTXA)	PR 1LV, PR 1ZK	Gasolina	4WD	2995	260	354	05.13-05.17	■	
SQ5 TFSI	PR 1LV, PR 1ZK	Gasolina	FWD	2995	264	359	03.14-	■	
2.0 TDI quattro (CNHA)	PR 1LV, PR 1ZK	Diesel	4WD	1968	140	190	11.13-05.17	■	
3.0 TDI quattro (CTBA)	PR 1LV, PR 1ZK	Diesel	4WD	2967	190	258	11.13-05.17	■	
<b>VW</b>									
<b>JETTA V / BORA / VENTO (1K2) 09.04-12.13</b>					<b>Saloon (Compact car-C Segment)</b>				
1.6 MultiFuel (CCSA)	PR 1LN, PR 1LX	Gasol./Etanol	FWD	1595	75	102	01.08-10.10	■	