

LISTA DE APLICACIONES - BUYERS GUIDE

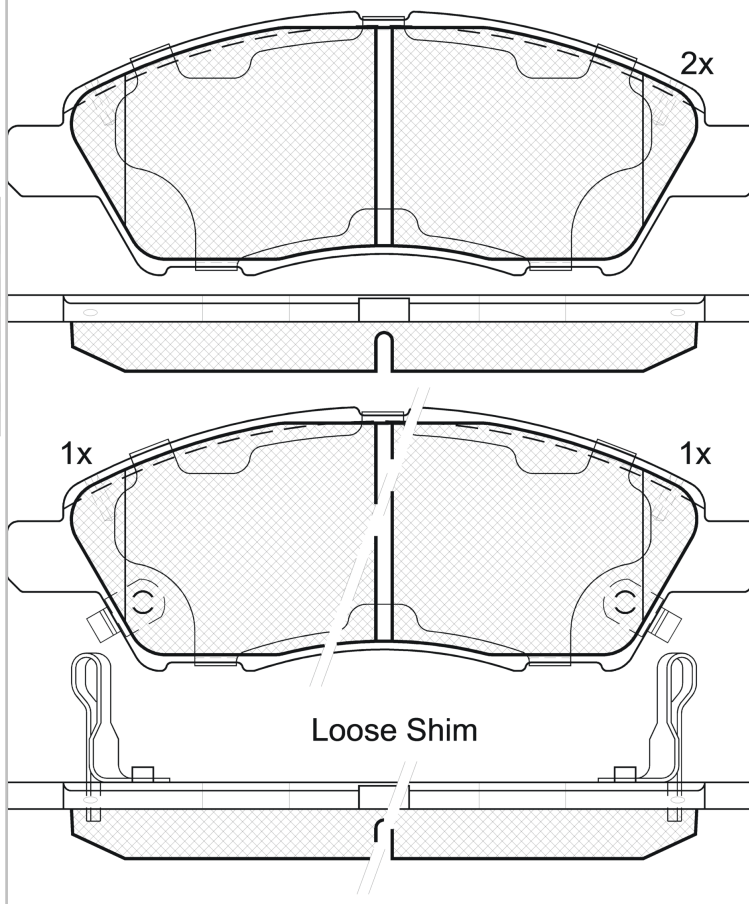
182073



8 424073 105554

Qty: 300

Weight: 1.130



182073

E 9 90R-02A0111/3103



Akebono

138.65x48.46x14.6

O.E.M.	MAKE
04465-B1420	TOYOTA
41060-ED525-C107	NISSAN (DFAC)
D1060-1HJ0A	NISSAN
D1060-1HL0B	NISSAN
D1060-ED500	NISSAN
D1060-ED51A	NISSAN (DFAC)
D1060-ED51A-C107	NISSAN (DFAC)
D1M6M-1FA0A	NISSAN (DFAC)

WVA	FMSI
24724	D1592-8804
24725	D2598-8804
24726	

MAKE
NISSAN
NISSAN (DFAC)



Trac.	CC	Kw	CV
-------	----	----	----



Front / Rear

NISSAN

ALMERA III (N17) 09.11-

Saloon (Compact car-C Segment)

Model	Year	Fuel	Trac.	CC	Kw	CV	Period	Application
1.2 i		Gasolina	FWD	1198	58	79	09.11-	■
1.5 i		Gasolina	FWD	1498	73	99	01.12-	■
1.5 i		Gasolina	FWD	1498	75	102	08.12-	■
1.5 i (HR15DE)		Gasolina	FWD	1498	79	107	08.12-	■
1.6 (HR16DE)		Gasolina	FWD	1598	80	109	04.14-	■
1.0 Flex		Gasol./Etanol	FWD	999	57	77	02.15-08.21	■

LIVINA /GRAND LIVINA (L10, L11) 02.07-

MPV (Compact MPV-M1 Segment)

Model	Year	Fuel	Trac.	CC	Kw	CV	Period	Application
1.6		Gasolina	FWD	1598	77	105	03.09-	■
1.6 Flex		Gasolina	FWD	1598	79	108	03.09-	■
1.6		Gasolina	FWD	1598	84	114	03.14-	■

MICRA IV / MARCH (K13K, K13KK) 05.10-

Hatchback (Supermini car-B Segment)

Model	Year	Fuel	Trac.	CC	Kw	CV	Period	Application
1.0	01/14-	Gasolina	FWD	998	54	73	02.11-	■
1.0 Flex	01/14-	Gasolina	FWD	998	55	75	10.11-	■
1.2 Active (HR12DE)	01/14-	Gasolina	FWD	1198	50	68	07.13-	■
1.2 (HR12DE)	01/14-	Gasolina	FWD	1198	56	76	05.10-10.20	■
1.2	01/14-	Gasolina	FWD	1198	56	76	05.10-	■
1.2	01/14-	Gasolina	FWD	1198	58	79	05.10-	■
1.2 (HR12DE)	01/14-	Gasolina	FWD	1198	59	80	05.10-09.15	■
1.2 DIG-S (HR12DDR)	01/14-	Gasolina	FWD	1198	72	98	03.11-10.15	■
1.2 DIG-S (HR12DR)	01/14-	Gasolina	FWD	1198	72	98	03.11-10.15	■
1.5 (HR15DE)	01/14-	Gasolina	FWD	1498	73	99	12.11-09.15	■
1.5	01/14-	Gasolina	FWD	1498	74	101	01.11-09.15	■

LISTA DE APLICACIONES - BUYERS GUIDE

1.5	01/14-	Gasolina	FWD	1498	75	102	11.10-09.15	■	
1.5 NISMO S	01/14-	Gasolina	FWD	1498	85	116	06.13-12.16	■	
1.6	01/14-	Gasolina	FWD	1598	78	106	09.11-12.16	■	
1.6 Flex	01/14-	Gasolina	FWD	1598	82	112	10.11-	■	
1.5 D	01/14-	Diesel	RWD	1461	47	64	11.10-	■	
1.5 D	01/14-	Diesel	RWD	1461	73	99	01.11-	■	
NOTE II / VERSA NOTE (E12) 09.12-					MPV (Mini MPV-M1 Segment)				
1.2 LPG (HR12DE)		LPG	FWD	1198	56	76	03.15-12.16	■	
1.2 (HR12DE)		Gasolina	FWD	1198	59	80	08.12-12.16	■	
1.2 4WD		Gasolina	4WD	1198	59	80	08.12-	■	
1.2 DIG-S (HR12DDR)		Gasolina	FWD	1198	72	98	08.12-	■	
1.2 DIG-S (HR12DR)		Gasolina	FWD	1198	72	98	08.12-	■	
1.6 NISMO S		Gasolina	FWD	1598	103	140	06.13-	■	
1.5 dCi (K9K 608)		Diesel	FWD	1461	66	90	06.13-12.16	■	
1.5 dCi (K9K 892)		Diesel	FWD	1461	66	90	06.13-12.16	■	
TIIDA / VERSA (C11) 05.04-12.14					Hatchback (City car-A Segment)				
1.6 (HR16DE)	China	Gasolina	FWD	1598	81	110	09.07-12.11	■	
1.8 (JC11) (MR18DE)	China	Gasolina	FWD	1798	93	126	09.04-12.11	■	
1.5 dCi (K9K)	China	Diesel	FWD	1461	78	106	09.07-12.11	■	
1.5 dCi (K9K 278)	China	Diesel	FWD	1461	78	106	09.07-12.11	■	
TIIDA / VERSA (SC11) 05.04-02.14					Saloon (City car-A Segment)				
1.6 (C11L) (HR16DE)	China	Gasolina	FWD	1598	81	110	09.07-12.12	■	
1.8 (MR18DE)	China	Gasolina	FWD	1798	93	126	09.07-12.12	■	
1.5 dCi (K9K)	China	Diesel	FWD	1461	78	106	09.07-12.12	■	
1.5 dCi (K9K 278)	China	Diesel	FWD	1461	78	106	09.07-12.12	■	
VERSA 08.06-					Saloon (City car-A Segment)				
1.5 dCi	01/12-	Diesel	RWD	1461	76	103	01.07-	■	
VERSA II / SUNNY (N17_) 08.11-					Saloon (Compact car-C Segment)				
1.5 (HR15DE)	01/12-	Gasolina	FWD	1498	73	99	08.11-	■	
1.6		Gasolina	FWD	1598	78	106	08.11-	■	
1.8		Gasolina	FWD	1798	96	131	08.12-	■	
1.5 dCi	01/12-	Diesel	FWD	1461	63	86	08.11-05.20	■	
NISSAN (DFAC)									
MARCH (K13) 08.10-					Hatchback (Supermini car-B Segment)				
1.2		Gasolina	FWD	1198	54	73	01.14-	■	
1.5		Gasolina	FWD	1498	79	107	08.10-	■	