

LISTA DE APLICACIONES - BUYERS GUIDE

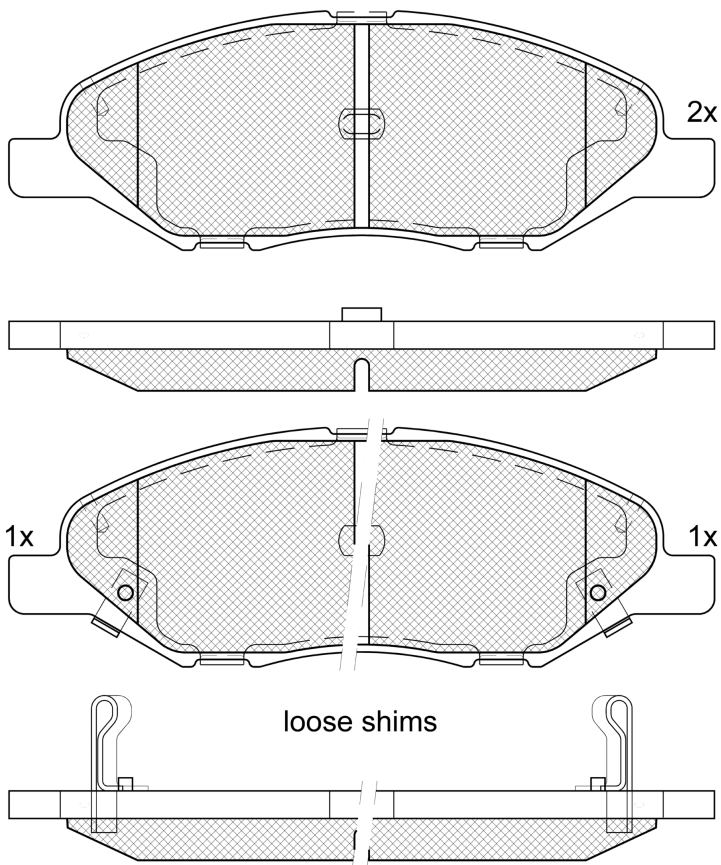
182074



Qty: 300

Weight: 1.285

O.E.M.	MAKE
1N26-33-28Z	NISSAN
1N28-33-28Z	MAZDA
41060-AX000	NISSAN
41060-AX085	NISSAN
41060-AX086	NISSAN
41060-EE30J	NISSAN
41060-RN22A	NISSAN
AY040-NS110	NISSAN
AY040-NS120	NISSAN
AY040-NS133	NISSAN
AY040-NS142	NISSAN
D1060-1JY00	NISSAN



182074

E 9 90R-02A0111/3388



Akebono

144.35x49.95x14.8

WVA	FMSI
24682	D1345-8456
24683	
24684	

MAKE
MAZDA
NISSAN



Trac.	CC	Kw	CV
-------	----	----	----



Front / Rear

MAZDA

FAMILIA III VAN (Y12) 01.07-

Van (Compact car-C Segment)

Power	Year	Fuel	Drive	CC	Kw	CV	Year	Position
1.2	01/16-	Gasolina	FWD	1240	66	90	01.07-	■
1.5	01/16-	Gasolina	FWD	1498	82	111	01.07-	■
1.6	01/16-	Gasolina	FWD	1598	80	109	01.07-	■
1.8	01/16-	Gasolina	FWD	1798	91	124	01.07-	■

NISSAN

CUBE II (Z11) 01.03-11.08

Hatchback (Mini MPV-M1 Segment)

1.4 (CR14DE)		Gasolina	FWD	1386	72	98	01.03-11.08	■
1.5 (HR15DE)		Gasolina	FWD	1498	80	109	01.03-11.08	■

LIVINA /GRAND LIVINA (L10, L11) 02.07-

MPV (Compact MPV-M1 Segment)

1.5		Gasolina	FWD	1498	80	109	03.09-	■
1.6		Gasolina	FWD	1598	80	109	02.07-	■
1.6 Flex		Gasolina	FWD	1598	80	109	03.09-	■
1.6		Gasolina	FWD	1598	84	114	03.14-	■
1.8 Flex		Gasolina	FWD	1798	92	125	03.09-	■
1.8		Gasolina	FWD	1798	93	126	03.09-	■
1.8 Flex		Gasolina	FWD	1798	93	126	03.09-	■

MICRA II / MARCH (K11) 01.92-12.07

Hatchback (Supermini car-B Segment)

1.3 i 16V (HK11) (CG13DE)		Gasolina	FWD	1275	55	75	08.92-09.00	■
---------------------------	--	----------	-----	------	----	----	-------------	---

MICRA III / MARCH (K12) 03.02-09.11

Hatchback (Supermini car-B Segment)

1.0 16V (K12) (CG10DE)	Japan	Gasolina	FWD	998	48	65	01.03-06.10	■
1.2 16V (CG12DE)	Japan	Gasolina	FWD	1240	48	65	01.03-06.10	■

LISTA DE APLICACIONES - BUYERS GUIDE

1.2 16V (CR12DE)	Japan	Gasolina	FWD	1240	48	65	01.03-06.10	■	
1.2 16V (CG12DE)	Japan	Gasolina	FWD	1240	59	80	01.03-06.10	■	
1.2 16V (CR12DE)	Japan	Gasolina	FWD	1240	59	80	01.03-06.10	■	
1.4 16V (CR14DE)	Japan	Gasolina	FWD	1386	65	88	01.03-06.10	■	
160 SR (HR16DE)	Japan	Gasolina	FWD	1598	81	110	05.05-06.10	■	
1.2 LPG (CR12DE)		Gasol./Gas (LPG)	FWD	1240	59	80	10.02-06.10	■	
1.5 dCi (K9K 704)	Japan	Diesel	FWD	1461	48	65	01.03-06.10	■	
1.5 dCi (K9K 708)	Japan	Diesel	FWD	1461	50	68	06.05-06.10	■	
1.5 dCi (K9K 722)	Japan	Diesel	FWD	1461	60	82	09.03-06.10	■	
1.5 dCi (K9K 276)	Japan	Diesel	FWD	1461	63	86	06.05-06.10	■	
NOTE (E11, NE11) 01.05-08.13							MPV (Mini MPV-M1 Segment)		
1.4 (CR14DE)	Japan	Gasolina	FWD	1386	65	88	01.06-08.13	■	
1.5 (HR15DE)	Japan	Gasolina	FWD	1498	80	109	03.06-12.10	■	
1.5	Japan	Gasolina	FWD	1498	80	109	01.06-12.10	■	
1.6 (HR16DE)	Japan	Gasolina	FWD	1598	81	110	03.06-06.12	■	
1.5 dCi (K9K 700)	Japan	Diesel	FWD	1461	50	68	03.06-06.12	■	
1.5 dCi (K9K 276)	Japan	Diesel	FWD	1461	63	86	03.06-06.12	■	
1.5 dCi (K9K 276)	Japan	Diesel	FWD	1461	66	90	09.10-06.12	■	
1.5 dCi (K9K 288)	Japan	Diesel	FWD	1461	76	103	07.08-06.12	■	
NOTE VAN (E11) 01.05-08.13							Box Body/MPV (Mini MPV-M1 Segment)		
1.5 dCi	Japan	Diesel	FWD	1461	63	86	01.11-09.12	■	
TIIDA / VERSA (C11) 05.04-12.14							Hatchback (City car-A Segment)		
1.6 (HR16DE)	Japan	Gasolina	FWD	1598	81	110	09.07-12.11	■	
1.8 i	01/08-, Japan	Gasolina	FWD	1795	93	126	02.06-	■	
1.8 (JC11) (MR18DE)	Japan	Gasolina	FWD	1798	93	126	09.04-12.11	■	
1.5 dCi (K9K)	Japan	Diesel	FWD	1461	78	106	09.07-12.11	■	
1.5 dCi (K9K 278)	Japan	Diesel	FWD	1461	78	106	09.07-12.11	■	
TIIDA / VERSA (SC11) 05.04-02.14							Saloon (City car-A Segment)		
1.6 (C11L) (HR16DE)	Japan	Gasolina	FWD	1598	81	110	09.07-12.12	■	
1.8 (MR18DE)	Japan	Gasolina	FWD	1798	93	126	09.07-12.12	■	
1.5 dCi (K9K)	Japan	Diesel	FWD	1461	78	106	09.07-12.12	■	
1.5 dCi (K9K 278)	Japan	Diesel	FWD	1461	78	106	09.07-12.12	■	