

LISTA DE APLICACIONES - BUYERS GUIDE

182086

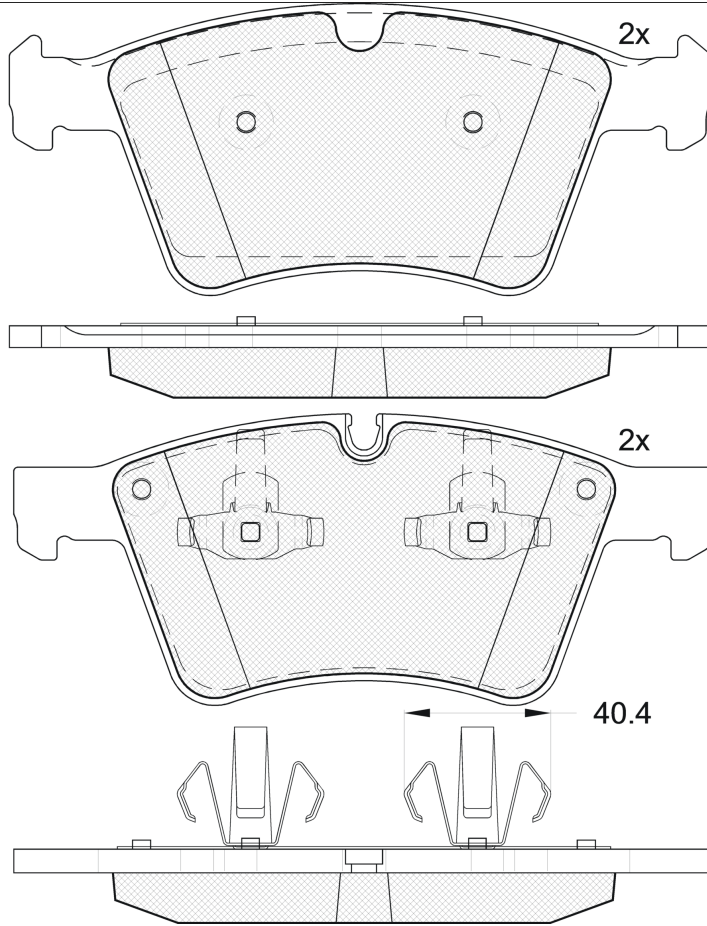


8 424073 105707

Qty: 300

Weight: 3.215

O.E.M.	MAKE
164 420 13 20	MERCEDES-BENZ
164 420 25 20	MERCEDES-BENZ



182086



90R-02A0111/2545



Ate - Teves

193x80.3x21

193x80.4x21

WVA	FMSI
24151	D1272-8388
24152	
MAKE	
MERCEDES-BENZ	



Trac.	CC	Kw	CV
-------	----	----	----



Front / Rear

MERCEDES-BENZ

GL-Class (X164) 09.06-

SUV (Luxury Crossover SUV-J Segment)

GL 450 4-matic (164.871) (M 273.923)	-06/12, Rim 19	Gasolina	4WD	4663	250	340	09.06-08.12	■
GL 500 4-matic (164.886) (M 273.963)	-06/12, Rim 19	Gasolina	4WD	5461	285	388	09.06-12.12	■
GL 320 CDI / 350 BlueTEC 4-matic (164.824, 164.825) (OM 642.820)	-06/12, Rim 19	Diesel	4WD	2987	155	211	12.09-08.12	■
GL 320 CDI 4-matic (164.822) (OM 642.940)	Rim 19	Diesel	4WD	2987	165	224	09.06-05.09	■
GL 350 CDI 4-matic (164.823) (OM 642.940)	-06/12, Rim 19	Diesel	4WD	2987	165	224	05.09-08.12	■
GL 350 CDI 4-matic (164.823) (OM 642.822)	-06/12, Rim 19	Diesel	4WD	2987	195	265	10.10-08.12	■
GL 420 CDI 4-matic (164.828) (OM 629.912)	Rim 19	Diesel	4WD	3996	225	306	09.06-05.09	■
GL 450 CDI 4-matic (164.828) (OM 629.912)	-06/12, Rim 19	Diesel	4WD	3996	225	306	05.09-08.12	■

M-Class II (W164) 02.05-12.13

SUV (Executive SUV-J Segment)

ML 500 4-matic (164.172) (M 273.963)		Gasolina	4WD	5461	285	388	12.07-12.11	■
--------------------------------------	--	----------	-----	------	-----	-----	-------------	---

R-Class (W251, V251) 08.05-10.17

MPV (Large MPV-M1 Segment)

R 500 4-matic (251.072, 251.172) (M 273.963)	Whe.b 2980	Gasolina	4WD	5461	285	388	05.07-12.14	■
--	------------	----------	-----	------	-----	-----	-------------	---