

# LISTA DE APLICACIONES - BUYERS GUIDE

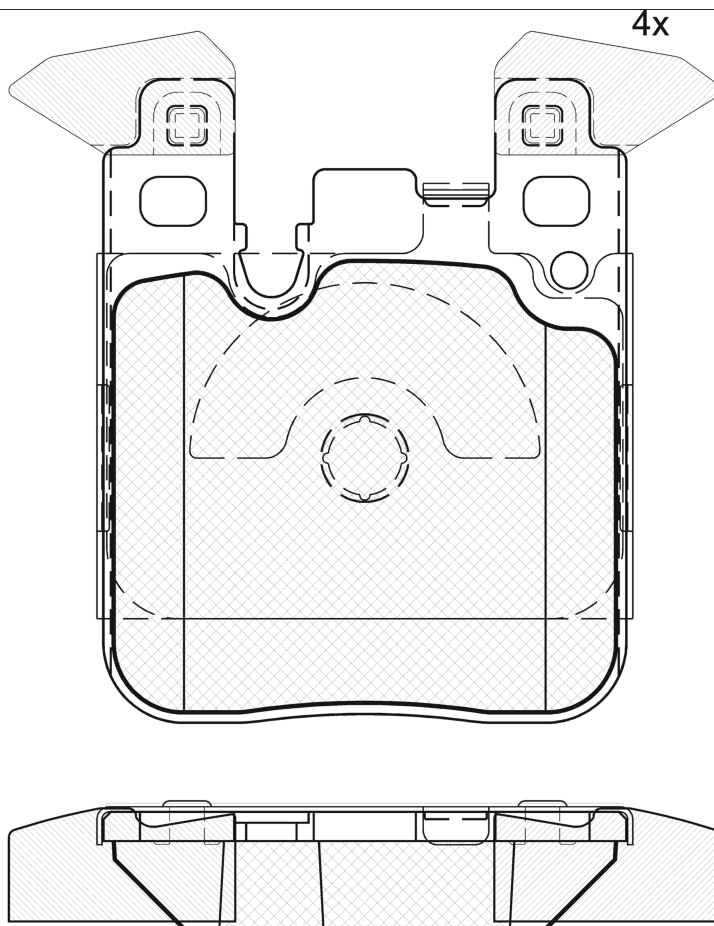
## 182092



8 424073 105790

Qty: 300

Weight: 1.550



## 182092

**E 9 90R-02A0111/3583**



Brembo

97.5x94.7x17.2

**WVA**

25029

**FMSI**

D1656-8885

**MAKE**

BMW



Trac.	CC	Kw	CV
-------	----	----	----



Front / Rear

### BMW

1 Serie II (F20) 07.11-06.19							Hatchback (Compact car-C Segment)	
116 i (B38 B15 A)		Gasolina	RWD	1499	80	109	03.15-06.19	■
116 i (B38 B15 A)		Gasolina	RWD	1499	80	109	03.15-06.19	■
118 i (B38 B15 A)	M technique	Gasolina	RWD	1499	100	136	07.15-06.19	■
118 i (B38 B15 A)	M technique	Gasolina	RWD	1499	100	136	03.15-06.19	■
114 i (N13 B16 A)	sports package, discØ 345, M-sport package, Performance M	Gasolina	RWD	1598	75	102	07.12-02.15	■
114 i (N13 B16 A)		Gasolina	RWD	1598	75	102	07.12-01.15	■
116 i (N13 B16 A)	sports package, discØ 345, M-sport package, Performance M	Gasolina	RWD	1598	100	136	07.11-02.15	■
116 i (N13 B16 A)		Gasolina	RWD	1598	100	136	12.11-02.15	■
118 i (N13 B16 A)		Gasolina	RWD	1598	100	136	03.15-06.15	■
118 i (N13 B16 A)		Gasolina	RWD	1598	100	136	03.15-06.19	■
118 i (N13 B16 A)	sports package, discØ 345, Performance M	Gasolina	RWD	1598	125	170	07.11-02.15	■
118 i (N13 B16 A)		Gasolina	RWD	1598	125	170	07.12-06.19	■
120 i (N13 B16 A)	M technique	Gasolina	RWD	1598	130	177	03.15-06.16	■
120 i (N13 B16 A)		Gasolina	RWD	1598	130	177	03.15-06.19	■
120 i Active Flex	M technique	Gasolina	FWD	1997	135	184	03.15-	■
125 i (N20 B20 A)	sports package	Gasolina	RWD	1997	160	218	03.12-11.17	■
125 i (N20 B20 A)		Gasolina	RWD	1997	160	218	12.11-12.19	■
125 i (N20 B20 A)		Gasolina	RWD	1997	175	238	03.12-11.17	■
125 i (N20 B20 A)		Gasolina	RWD	1997	175	238	03.13-06.19	■
120 i (B48 B20 A)	M technique	Gasolina	RWD	1998	135	184	07.16-06.19	■
120 i (B48 B20 A)	M technique	Gasolina	RWD	1998	135	184	07.16-06.19	■

# LISTA DE APLICACIONES - BUYERS GUIDE

125 i (B48 B20 B)	sports package	Gasolina	RWD	1998	165	224	07.16-06.19	■
125 i (B48 B20 B)	sports package	Gasolina	RWD	1998	165	224	10.15-06.19	■
M 135 i (N55 B30 A)	discØ 345, Performance M	Gasolina	RWD	2979	235	320	07.12-02.15	■
M 135 i (N55 B30 A)		Gasolina	RWD	2979	235	320	12.11-06.16	■
M 135 i xDrive (N55 B30 A)	discØ 345, Performance M	Gasolina	4WD	2979	235	320	11.12-02.15	■
M 135 i xDrive (N55 B30 A)		Gasolina	4WD	2979	235	320	02.12-06.16	■
M 135 i (N55 B30 A)	discØ 345, Performance M	Gasolina	RWD	2979	240	326	03.15-06.16	■
M 135 i (N55 B30 A)		Gasolina	RWD	2979	240	326	03.15-06.16	■
M 135 i xDrive (N55 B30 A)	discØ 345, M-sport package	Gasolina	4WD	2979	240	326	03.15-06.16	■
M 135 i xDrive (N55 B30 A)		Gasolina	4WD	2979	240	326	03.15-06.16	■
M 140 i (B58 B30 A)		Gasolina	RWD	2998	250	340	07.16-06.19	■
M 140 i (B58 B30 A)		Gasolina	RWD	2998	250	340	10.15-06.19	■
M 140 i xDrive (B58 B30 A)		Gasolina	4WD	2998	250	340	07.16-06.19	■
M 140 i xDrive (B58 B30 A)		Gasolina	4WD	2998	250	340	09.15-06.19	■
125 i Active Flex (N20 B20 A)	sports package, Performance M	Gasol./Etanol	RWD	1997	160	218	11.14-11.17	■
125 i Active Flex		Gasol./Etanol	RWD	1997	160	218	08.14-	■
114 D (B37 D15 A)	M technique, discØ 345, M-sport package, Performance M	Diesel	RWD	1496	70	95	07.15-06.19	■
114 D (B37 D15 A)	M technique	Diesel	RWD	1496	70	95	06.15-05.19	■
116 d (B37 D15 A)		Diesel	RWD	1496	85	116	03.15-06.19	■
116 d (B37 D15 A)		Diesel	RWD	1496	85	116	03.15-05.19	■
114 D (N47 D16 A)	sports package, discØ 345, M-sport package, Performance M	Diesel	RWD	1598	70	95	11.12-06.15	■
114 D (N47 D16 A)		Diesel	RWD	1598	70	95	07.12-05.19	■
116 d (N47 D16 A)	sports package, discØ 345, M-sport package, Performance M	Diesel	RWD	1598	85	116	03.12-02.15	■
116 d (N47 D16 A)		Diesel	RWD	1598	85	116	12.11-02.15	■
116 d (N47 D20 C)	sports package, discØ 345, Performance M	Diesel	RWD	1995	85	116	07.11-02.15	■
116 d (N47 D20 C)		Diesel	RWD	1995	85	116	07.12-02.15	■
118 d (B47 D20 A)	sports package, discØ 345	Diesel	RWD	1995	100	136	07.11-06.19	■
118 d (N47 D20 C)	sports package, discØ 345	Diesel	RWD	1995	100	136	07.11-06.19	■
118 d (N47 D20 C)		Diesel	RWD	1995	100	136	12.11-06.19	■
118 d (N47 D20 C)	sports package, discØ 345, Performance M	Diesel	RWD	1995	105	143	07.11-02.15	■
118 d (N47 D20 C)		Diesel	RWD	1995	105	143	12.11-02.15	■
118 d xDrive (N47 D20 C)	discØ 345, Performance M	Diesel	4WD	1995	105	143	07.13-02.15	■
118 d xDrive (N47 D20 C)		Diesel	4WD	1995	105	143	05.13-02.15	■
118 d (B47 D20 A)		Diesel	RWD	1995	110	150	03.15-06.19	■
118 d (B47 D20 A)		Diesel	RWD	1995	110	150	03.15-06.19	■
118 d xDrive (B47 D20 A)		Diesel	4WD	1995	110	150	03.15-06.19	■
118 d xDrive (B47 D20 A)		Diesel	4WD	1995	110	150	03.15-05.19	■
120 d (B47 D20 A)	sports package, discØ 345	Diesel	RWD	1995	120	163	07.11-06.19	■
120 d (N47 D20 C)	sports package, discØ 345	Diesel	RWD	1995	120	163	07.11-06.19	■
120 d (N47 D20 C)		Diesel	RWD	1995	120	163	07.12-06.19	■
120 d (N47 D20 C)	sports package, discØ 345, Performance M	Diesel	RWD	1995	135	184	07.11-02.15	■
120 d (N47 D20 C)		Diesel	RWD	1995	135	184	07.12-02.15	■
120 d xDrive (N47 D20 C)	sports package, discØ 345	Diesel	4WD	1995	135	184	11.12-02.15	■
120 d xDrive (N47 D20 C)		Diesel	4WD	1995	135	184	02.12-02.15	■
120 d (B47 D20 A)		Diesel	RWD	1995	140	190	03.15-06.19	■
120 d (B47 D20 A)		Diesel	RWD	1995	140	190	03.15-06.19	■
120 d xDrive (B47 D20 A)		Diesel	4WD	1995	140	190	03.15-06.19	■
120 d xDrive (B47 D20 A)		Diesel	4WD	1995	140	190	03.15-06.19	■

# LISTA DE APLICACIONES - BUYERS GUIDE

120 d (N47 D20 C)	discØ 345, M-sport package, Performance M	Diesel	RWD	1995	147	200	07.11-02.15	■	
120 d (N47 D20 C)		Diesel	RWD	1995	147	200	01.12-02.15	■	
120 d xDrive (N47 D20 C)	discØ 345, M-sport package, Performance M	Diesel	4WD	1995	147	200	11.12-02.15	■	
120 d xDrive (N47 D20 C)		Diesel	4WD	1995	147	200	01.12-02.15	■	
120 d		Diesel	RWD	1995	151	205	03.15-06.19	■	
120 d		Diesel	RWD	1995	151	205	03.15-06.19	■	
120 d xDrive		Diesel	4WD	1995	151	205	03.15-06.19	■	
120 d xDrive		Diesel	4WD	1995	151	205	03.15-06.19	■	
125 d (B47 D20 B)	sports package	Diesel	RWD	1995	155	211	03.12-06.19	■	
125 d (N47 D20 D)	sports package	Diesel	RWD	1995	155	211	03.12-06.19	■	
125 d (N47 D20 D)		Diesel	RWD	1995	155	211	12.11-05.19	■	
125 d (N47 D20 D)	sports package, discØ 345, Performance M	Diesel	RWD	1995	160	218	03.12-02.15	■	
125 d (N47 D20 D)		Diesel	RWD	1995	160	218	12.11-02.15	■	
125 d (B47 D20 B)		Diesel	RWD	1995	165	224	03.15-06.19	■	
125 d (B47 D20 B)		Diesel	RWD	1995	165	224	03.15-05.19	■	
<b>1 Serie II Van (F20) 03.15-06.19</b>					<b>Hatchback Van (Compact car-C Segment)</b>				
118 i (B38 B15 A)	M technique	Gasolina	RWD	1499	100	136	07.15-06.19	■	
120 i (B48 B20 A)	M technique	Gasolina	RWD	1998	135	184	07.16-06.19	■	
M 140 i (B58 B30 A)		Gasolina	RWD	2998	250	340	07.16-06.19	■	
118 d (B47 D20 A)		Diesel	RWD	1995	110	150	03.15-06.19	■	
120 d (B47 D20 A)		Diesel	RWD	1995	140	190	03.15-06.19	■	
<b>2 Active Tourer Van (F45) 11.13-</b>					<b>Box Body/MPV (Compact car-C Segment)</b>				
218d (B47 C20 A)	M technique	Diesel	FWD	1995	110	150	07.14-10.21	■	
218d (B47 C20 B)	M technique	Diesel	FWD	1995	110	150	07.14-10.21	■	
220 d (B47 C20 A)		Diesel	FWD	1995	140	190	11.14-10.21	■	
220 d (B47 C20 B)		Diesel	FWD	1995	140	190	11.14-10.21	■	
<b>2 Gran Coupe (F44) 11.19-</b>					<b>Coupe (Compact car-C Segment)</b>				
M 235 i xDrive (B48 A20 E)	Blue Caliper	Gasolina	4WD	1998	225	306	11.19-	■	
220 d (B47 C20 B)		Diesel	FWD	1995	140	190	11.19-	■	
<b>2 Gran Tourer (F46) 07.14-</b>					<b>MPV (Compact car-C Segment)</b>				
218i (B38 A15 A)		Gasolina	FWD	1499	100	136	03.15-	■	
220 i (B48 A20 A)		Gasolina	FWD	1998	120	163	03.15-	■	
220 i (B48 A20 A)		Gasolina	FWD	1998	141	192	03.15-	■	
220 d (B47 C20 A)		Diesel	FWD	1995	120	163	09.14-	■	
220 d (B47 C20 B)		Diesel	FWD	1995	120	163	09.14-	■	
220 d xDrive (B47 C20 A)		Diesel	4WD	1995	120	163	03.15-	■	
220 d xDrive (B47 C20 B)		Diesel	4WD	1995	120	163	03.15-	■	
220 d xDrive (B47 C20 A)		Diesel	4WD	1995	140	190	03.15-	■	
220 d xDrive (B47 C20 B)		Diesel	4WD	1995	140	190	03.15-	■	
<b>2 Gran Tourer Van (F46) 07.14-</b>					<b>Box Body/MPV (Compact car-C Segment)</b>				
218d (B47 C20 A)	M technique	Diesel	FWD	1995	110	150	07.14-	■	
218d (B47 C20 B)	M technique	Diesel	FWD	1995	110	150	07.14-	■	
220 d (B47 C20 A)		Diesel	FWD	1995	140	190	07.14-	■	
220 d (B47 C20 B)		Diesel	FWD	1995	140	190	07.14-	■	
<b>2 Serie (F23) 03.14-</b>					<b>Convertible (Compact car-C Segment)</b>				
218i (B38 B15 A)		Gasolina	RWD	1499	100	136	03.15-06.21	■	
220 i (N20 B20 A)		Gasolina	RWD	1997	135	184	04.14-06.21	■	

# LISTA DE APLICACIONES - BUYERS GUIDE

220 i (N20 B20 B)		Gasolina	RWD	1997	135	184	04.14-06.21	■
228 i (N20 B20 A)	Blue Caliper	Gasolina	RWD	1997	180	245	11.14-06.16	■
228 i	Blue Caliper	Gasolina	FWD	1997	180	245	09.15-	■
218i		Gasolina	RWD	1998	100	136	11.20-06.21	■
220 i (B48 B20 A)	sports package, M technique	Gasolina	RWD	1998	135	184	09.15-06.21	■
230 i (B46 B20 B)	sports package, M technique	Gasolina	RWD	1998	185	252	07.16-06.21	■
230 i (B48 B20 B)	sports package, M technique	Gasolina	RWD	1998	185	252	07.16-06.21	■
230 i	sports package, M technique	Gasolina	FWD	1998	185	252	09.16-	■
M 235 i (N55 B30 A)	Blue Caliper	Gasolina	RWD	2979	240	326	11.14-06.16	■
M 235 i xDrive (N55 B30 A)	Blue Caliper	Gasolina	4WD	2979	240	326	07.15-06.16	■
M240 i (B58 B30 A)		Gasolina	RWD	2998	250	340	09.15-06.21	■
M240 i xDrive (B58 B30 A)		Gasolina	4WD	2998	250	340	09.15-06.21	■
218d (B47 D20 A)		Diesel	RWD	1995	100	136	07.15-09.20	■
218d (B47 D20 A)	M technique	Diesel	RWD	1995	110	150	07.15-09.20	■
220 d (B47 D20 A)		Diesel	RWD	1995	120	163	03.14-09.20	■
220 d (B47 D20 A)		Diesel	RWD	1995	140	190	03.14-09.20	■
220 d		Diesel	RWD	1995	151	205	03.14-09.20	■
225 d (B47 D20 B)	M technique	Diesel	RWD	1995	165	224	07.15-05.19	■
<b>2 Serie (F22, F87) 10.12-</b>					<b>Coupe (Compact car-C Segment)</b>			
218i (B38 B15 A)		Gasolina	RWD	1499	100	136	03.15-06.21	■
220 i (N20 B20 A)		Gasolina	RWD	1997	135	184	10.13-06.21	■
220 i (N20 B20 B)		Gasolina	RWD	1997	135	184	10.13-06.21	■
228 i (N20 B20 A)	Blue Caliper	Gasolina	RWD	1997	180	245	07.14-06.16	■
228 i (N26 B20 A)	Blue Caliper	Gasolina	RWD	1997	180	245	07.14-06.16	■
220 i (B48 B20 A)	sports package, M technique	Gasolina	RWD	1998	135	184	09.15-06.21	■
230 i (B46 B20 B)	sports package, M technique	Gasolina	RWD	1998	185	252	07.16-06.21	■
230 i (B48 B20 B)	sports package, M technique	Gasolina	RWD	1998	185	252	07.16-06.21	■
230 i	sports package, M technique	Gasolina	FWD	1998	185	252	09.16-	■
M 235 i	Blue Caliper	Gasolina	FWD	2979	235	320	03.14-	■
M 235 i (N55 B30 A)	Blue Caliper	Gasolina	RWD	2979	240	326	10.13-06.16	■
M 235 i xDrive (N55 B30 A)	Blue Caliper	Gasolina	4WD	2979	240	326	07.14-06.16	■
M2 (N55 B30 A)	Blue Caliper	Gasolina	RWD	2979	272	370	11.15-06.18	■
M2 Competition (S55 B30 A)		Gasolina	RWD	2979	302	411	06.18-06.21	■
M2 CS (S55 B30 A)		Gasolina	RWD	2979	331	450	11.19-06.21	■
M240 i (B58 B30 A)		Gasolina	RWD	2998	250	340	09.15-06.21	■
M240 i xDrive (B58 B30 A)		Gasolina	4WD	2998	250	340	09.15-06.21	■
218d (B47 D20 A)		Diesel	RWD	1995	100	136	03.14-09.20	■
218d (N47 D20 C)		Diesel	RWD	1995	100	136	03.14-09.20	■
218d (N47 D20 C)		Diesel	RWD	1995	105	143	03.14-06.15	■
218d (B47 D20 A)	M technique	Diesel	RWD	1995	110	150	07.15-09.20	■
220 d (B47 D20 A)		Diesel	RWD	1995	120	163	11.14-09.20	■
220 d (N47 D20 C)		Diesel	RWD	1995	120	163	11.14-09.20	■
220 d xDrive (B47 D20 A)		Diesel	4WD	1995	120	163	03.15-09.20	■
220 d (N47 D20 C)		Diesel	RWD	1995	135	184	10.13-06.17	■
220 d (B47 D20 A)		Diesel	RWD	1995	140	190	03.14-09.20	■
220 d xDrive (B47 D20 A)		Diesel	4WD	1995	140	190	06.14-09.20	■
220 d (N47 D20 C)		Diesel	RWD	1995	147	200	10.12-11.14	■
220 d		Diesel	RWD	1995	151	205	03.14-09.20	■
220 d xDrive		Diesel	4WD	1995	151	205	06.14-09.20	■
225 d (N47 D20 D)		Diesel	RWD	1995	160	218	01.14-06.17	■
225 d (B47 D20 B)	M technique	Diesel	RWD	1995	165	224	07.15-05.19	■

# LISTA DE APLICACIONES - BUYERS GUIDE

<b>3 Serie VI (U.S.A.) 09.11-</b>						<b>Saloon (Compact executive car-D Segment)</b>			
318i (B38 B15 A)	M technique, discØ 345	Gasolina	RWD	1499	100	136	07.15-10.18	■	
316 i (N13 B16 A)		Gasolina	RWD	1598	100	136	07.12-08.16	■	
320i (N13 B16 A)		Gasolina	RWD	1598	125	170	11.12-06.16	■	
320i	not sports package, sports package	Gasolina	FWD	1997	134	182	09.12-	■	
320i	not sports package, sports package	Gasolina	RWD	1997	134	182	03.12-10.18	■	
320i (N20 B20 A)	sports package	Gasolina	RWD	1997	135	184	03.12-10.18	■	
320i (N20 B20 B)	sports package	Gasolina	RWD	1997	135	184	03.12-10.18	■	
320i (N20 B20 D)	sports package	Gasolina	RWD	1997	135	184	03.12-10.18	■	
320 i Active Flex	sports package	Gasolina	FWD	1997	135	184	02.12-	■	
320 i xDrive (N20 B20 A)	sports package	Gasolina	4WD	1997	135	184	07.12-10.18	■	
320 i xDrive (N20 B20 B)	sports package	Gasolina	4WD	1997	135	184	07.12-10.18	■	
328i (N20 B20 A)	discØ 345, Performance M, M-sport package	Gasolina	RWD	1997	160	218	11.11-06.15	■	
328i (N20 B20 A)	sports package	Gasolina	RWD	1997	180	245	11.11-10.18	■	
328i (N20 B20 C)	sports package	Gasolina	RWD	1997	180	245	11.11-10.18	■	
328i (N26 B20 A)	sports package	Gasolina	RWD	1997	180	245	11.11-10.18	■	
328 i Flex		Gasolina	FWD	1997	180	245	08.14-	■	
328 i xDrive (N20 B20 A)	sports package	Gasolina	4WD	1997	180	245	07.12-08.16	■	
328 i xDrive (N26 B20 A)	sports package	Gasolina	4WD	1997	180	245	07.12-08.16	■	
320i (B48 B20 A)	M technique, discØ 345	Gasolina	RWD	1998	135	184	07.15-10.18	■	
320 i xDrive (B48 B20 A)	sports package	Gasolina	4WD	1998	135	184	07.15-10.18	■	
330i (B46 B20 B)	M technique, discØ 345, Performance M	Gasolina	RWD	1998	185	252	07.15-10.18	■	
330i (B48 B20 B)	M technique, discØ 345, Performance M	Gasolina	RWD	1998	185	252	07.15-10.18	■	
330 i xDrive (B46 B20 B)	M technique, discØ 345, Performance M	Gasolina	4WD	1998	185	252	07.15-10.18	■	
330 i xDrive (B48 B20 A)	M technique, discØ 345, Performance M	Gasolina	4WD	1998	185	252	07.15-10.18	■	
330 i xDrive (B48 B20 B)	M technique, discØ 345, Performance M	Gasolina	4WD	1998	185	252	07.15-10.18	■	
335 i (N55 B30 A)	sports package	Gasolina	RWD	2979	225	306	11.11-07.15	■	
335 i xDrive (N55 B30 A)		Gasolina	4WD	2979	225	306	07.12-07.15	■	
335 i (N55 B30 A)		Gasolina	RWD	2979	240	326	11.11-06.13	■	
335 i xDrive (N55 B30 A)		Gasolina	4WD	2979	240	326	07.12-06.13	■	
335 i (N55 B30 A)		Gasolina	RWD	2979	250	340	07.13-07.15	■	
335 i xDrive (N55 B30 A)		Gasolina	4WD	2979	250	340	07.12-07.15	■	
M3 (S55 B30 A)	not ceramic brakes	Gasolina	RWD	2979	317	431	03.14-10.18	■	
M3 Competition (S55 B30 A)		Gasolina	RWD	2979	331	450	03.16-10.18	■	
M3 CS (S55 B30 A)		Gasolina	RWD	2979	338	460	01.18-10.18	■	
340 i (B58 B30 A)	M technique, discØ 345, Blue Caliper	Gasolina	RWD	2998	240	326	07.15-10.18	■	
340 i xDrive (B58 B30 A)	M technique, discØ 345	Gasolina	4WD	2998	240	326	07.15-10.18	■	
340 i (B58 B30 A)	M technique, discØ 345, Blue Caliper	Gasolina	RWD	2998	265	360	07.15-10.18	■	
340 i xDrive (B58 B30 A)	M technique, discØ 345	Gasolina	4WD	2998	265	360	07.15-10.18	■	
330 e (B48 B20 A)		Gasol./el éc.	RWD	1998	135	184	11.15-10.18	■	
330 e (B48 B20 A)		Gasol./el éc.	RWD	1998	185	252	11.15-10.18	■	
ActiveHybrid (N55 B30 A)		Gasol./el éc.	RWD	2979	225	306	07.12-06.15	■	
ActiveHybrid (N55 B30 A)		Gasol./el éc.	RWD	2979	250	340	07.12-06.15	■	
316 d (B47 D20 A)	sports package	Diesel	RWD	1995	85	116	03.12-10.18	■	
316 d (N47 D20 C)	sports package	Diesel	RWD	1995	85	116	03.12-10.18	■	

# LISTA DE APLICACIONES - BUYERS GUIDE

318 d (B47 D20 A)		Diesel	RWD	1995	100	136	03.12-10.18	■
318 d (N47 D20 C)		Diesel	RWD	1995	100	136	03.12-10.18	■
318 d (N47 D20 C)	sports package	Diesel	RWD	1995	105	143	03.12-06.15	■
318 d xDrive (N47 D20 C)		Diesel	4WD	1995	105	143	07.13-06.15	■
318 d (B47 D20 A)	M technique, discØ 345	Diesel	RWD	1995	110	150	07.15-10.18	■
318 d xDrive (B47 D20 A)	M technique, discØ 345	Diesel	4WD	1995	110	150	07.15-02.18	■
320 d (B47 D20 A)	sports package	Diesel	RWD	1995	120	163	11.11-10.18	■
320 d (N47 D20 C)	sports package	Diesel	RWD	1995	120	163	11.11-10.18	■
320 d xDrive (B47 D20 A)	discØ 345, M-sport package	Diesel	4WD	1995	120	163	08.12-10.18	■
320 d xDrive (N47 D20 C)	discØ 345, M-sport package	Diesel	4WD	1995	120	163	08.12-10.18	■
320 d (N47 D20 C)	sports package	Diesel	RWD	1995	135	184	11.11-03.16	■
320 d xDrive (N47 D20 C)		Diesel	4WD	1995	135	184	08.12-06.15	■
320 d (B47 D20 A)	M technique, discØ 345	Diesel	RWD	1995	140	190	07.15-10.18	■
320 d xDrive (B47 D20 A)	M technique, discØ 345	Diesel	4WD	1995	140	190	07.15-10.18	■
320 d (N47 D20 C)		Diesel	RWD	1995	147	200	11.11-03.16	■
320 d xDrive (N47 D20 C)		Diesel	4WD	1995	147	200	08.12-06.15	■
325 d (N47 D20 D)		Diesel	RWD	1995	155	211	03.13-02.16	■
325 d (N47 D20 D)		Diesel	RWD	1995	160	218	03.13-02.16	■
325 d (B47 D20 B)		Diesel	RWD	1995	165	224	03.16-02.18	■
330 d (N57 D30 A)		Diesel	RWD	2993	190	258	07.12-10.18	■
330 d xDrive (N57 D30 A)		Diesel	4WD	2993	190	258	03.13-10.18	■
330 d (N57 D30 A)		Diesel	RWD	2993	210	286	07.12-10.18	■
330 d xDrive (N57 D30 A)		Diesel	4WD	2993	210	286	03.13-10.18	■
335 d xDrive (N57 D30 B)		Diesel	4WD	2993	230	313	07.13-10.18	■
<b>3 Serie VI GRAN TURISMO (F34) 07.12-</b>						<b>Hatchback (Compact executive car-D Segment)</b>		
320i (N20 B20 A)	sports package	Gasolina	RWD	1997	120	163	03.13-06.16	■
320i (N20 B20 B)	sports package	Gasolina	RWD	1997	120	163	03.13-06.16	■
320 i xDrive (N20 B20 A)	sports package	Gasolina	4WD	1997	120	163	07.13-06.16	■
320 i xDrive (N20 B20 B)	sports package	Gasolina	4WD	1997	120	163	07.13-06.16	■
320i (N20 B20 A)	sports package	Gasolina	RWD	1997	135	184	03.13-06.16	■
320i (N20 B20 B)	sports package	Gasolina	RWD	1997	135	184	03.13-06.16	■
320 i xDrive (N20 B20 A)		Gasolina	4WD	1997	135	184	11.12-06.16	■
320 i xDrive (N20 B20 B)		Gasolina	4WD	1997	135	184	11.12-06.16	■
328i (N20 B20 A)	sports package	Gasolina	RWD	1997	180	245	03.13-06.16	■
328i (N26 B20 A)	sports package	Gasolina	RWD	1997	180	245	03.13-06.16	■
328 i xDrive (N20 B20 A)		Gasolina	4WD	1997	180	245	07.13-06.16	■
328 i xDrive (N26 B20 A)		Gasolina	4WD	1997	180	245	07.13-06.16	■
320i (B48 B20 A)		Gasolina	RWD	1998	120	163	07.16-	■
320 i xDrive (B48 B20 A)		Gasolina	4WD	1998	120	163	07.16-	■
320i (B48 B20 A)	sports package	Gasolina	RWD	1998	135	184	07.16-	■
320 i xDrive (B48 B20 A)	sports package	Gasolina	4WD	1998	135	184	07.16-	■
330 i xDrive (B48 B20 B)		Gasolina	4WD	1998	183	249	07.16-	■
330i (B48 B20 B)	sports package	Gasolina	RWD	1998	185	252	07.16-	■
330 i xDrive (B46 B20 B)	sports package	Gasolina	4WD	1998	185	252	07.16-	■
330 i xDrive (B48 B20 B)	sports package	Gasolina	4WD	1998	185	252	07.16-	■
335 i (N55 B30 A)	sports package	Gasolina	RWD	2979	225	306	03.13-06.16	■
335 i xDrive (N55 B30 A)		Gasolina	4WD	2979	225	306	07.13-06.16	■
335 i (N55 B30 A)		Gasolina	RWD	2979	240	326	03.13-03.14	■
335 i xDrive (N55 B30 A)		Gasolina	4WD	2979	240	326	03.13-03.14	■
335 i (N55 B30 A)		Gasolina	RWD	2979	250	340	04.14-06.16	■
335 i xDrive (N55 B30 A)		Gasolina	4WD	2979	250	340	04.14-06.16	■

# LISTA DE APLICACIONES - BUYERS GUIDE

340 i (B58 B30 A)		Gasolina	RWD	2998	240	326	07.16-	■
340 i xDrive (B58 B30 A)		Gasolina	4WD	2998	240	326	07.16-	■
340 i (B58 B30 A)		Gasolina	RWD	2998	265	360	07.16-	■
340 i xDrive (B58 B30 A)		Gasolina	4WD	2998	265	360	07.16-	■
318 d (B47 D20 A)	sports package	Diesel	RWD	1995	100	136	03.13-03.18	■
318 d (N47 D20 C)	sports package	Diesel	RWD	1995	100	136	03.13-03.18	■
318 d (N47 D20 C)	sports package	Diesel	RWD	1995	105	143	03.13-06.15	■
318 d (B47 D20 A)	sports package	Diesel	RWD	1995	110	150	07.15-	■
320 d (B47 D20 A)	sports package	Diesel	RWD	1995	120	163	03.13-03.18	■
320 d (N47 D20 C)	sports package	Diesel	RWD	1995	120	163	03.13-03.18	■
320 d xDrive (B47 D20 A)	sports package	Diesel	4WD	1995	120	163	07.13-03.18	■
320 d xDrive (N47 D20 C)	sports package	Diesel	4WD	1995	120	163	07.13-03.18	■
320 d (N47 D20 C)	sports package	Diesel	RWD	1995	135	184	03.13-06.15	■
320 d xDrive (N47 D20 C)	sports package	Diesel	4WD	1995	135	184	07.13-06.15	■
320 d (B47 D20 A)	sports package	Diesel	RWD	1995	140	190	07.15-	■
320 d xDrive (B47 D20 A)	sports package	Diesel	4WD	1995	140	190	07.15-	■
320 d (N47 D20 C)	sports package	Diesel	RWD	1995	147	200	03.13-06.15	■
320 d xDrive (N47 D20 C)	sports package	Diesel	4WD	1995	147	200	07.13-06.15	■
325 d (N47 D20 D)	sports package, discØ 345, M-sport package, Performance M	Diesel	RWD	1995	155	211	07.13-06.16	■
325 d (N47 D20 D)	sports package	Diesel	RWD	1995	160	218	07.13-06.16	■
325 d (B47 D20 B)	sports package	Diesel	RWD	1995	165	224	07.16-02.18	■
330 d (N57 D30 A)		Diesel	RWD	2993	190	258	03.14-	■
330 d xDrive (N57 D30 A)	sports package	Diesel	4WD	2993	190	258	03.14-	■
330 d (N57 D30 A)	sports package	Diesel	RWD	2993	210	286	03.14-	■
330 d xDrive (N57 D30 A)	sports package	Diesel	4WD	2993	210	286	03.14-	■
335 d xDrive (N57 D30 B)		Diesel	4WD	2993	230	313	03.14-	■
<b>3 Serie VI Touring (F31) 07.12-06.19</b>					<b>Estate (Compact executive car-D Segment)</b>			
318i (B38 B15 A)	M technique, discØ 345	Gasolina	RWD	1499	100	136	07.15-06.19	■
316 i (N13 B16 A)		Gasolina	RWD	1598	100	136	03.13-06.15	■
320i (N20 B20 B)		Gasolina	RWD	1997	120	163	11.12-06.15	■
320 i xDrive (N20 B20 B)		Gasolina	4WD	1997	120	163	03.13-06.15	■
320i (N20 B20 B)	not sports package, sports package	Gasolina	RWD	1997	135	184	11.12-06.15	■
320 i xDrive (N20 B20 B)	not sports package, sports package	Gasolina	4WD	1997	135	184	03.13-06.15	■
328i (N20 B20 A)	sports package	Gasolina	RWD	1997	180	245	07.12-06.15	■
328 i xDrive (N20 B20 A)		Gasolina	4WD	1997	180	245	03.13-06.16	■
320i (B48 B20 A)	M technique, discØ 345	Gasolina	RWD	1998	135	184	07.15-06.19	■
320 i xDrive (B48 B20 A)	M technique, discØ 345	Gasolina	4WD	1998	135	184	07.15-06.19	■
330i (B48 B20 A)	M technique, discØ 345	Gasolina	RWD	1998	185	252	07.15-06.19	■
330 i xDrive (B48 B20 A)	M technique, discØ 345	Gasolina	4WD	1998	185	252	07.15-06.19	■
330 i xDrive (B48 B20 B)	M technique, discØ 345	Gasolina	4WD	1998	185	252	07.15-06.19	■
335 i (N55 B30 A)		Gasolina	RWD	2979	225	306	03.13-06.15	■
335 i xDrive (N55 B30 A)		Gasolina	4WD	2979	225	306	03.13-06.15	■
335 i (N55 B30 A)		Gasolina	RWD	2979	240	326	03.13-06.13	■
335 i xDrive (N55 B30 A)		Gasolina	4WD	2979	240	326	03.13-06.13	■
335 i (N55 B30 A)		Gasolina	RWD	2979	250	340	07.13-06.15	■
335 i xDrive (N55 B30 A)		Gasolina	4WD	2979	250	340	07.13-06.15	■
340 i (B58 B30 A)	M technique, discØ 345, Blue Caliper	Gasolina	RWD	2998	240	326	07.15-06.19	■
340 i xDrive (B58 B30 A)	M technique, discØ 345	Gasolina	4WD	2998	240	326	07.15-06.19	■
340 i (B58 B30 A)	M technique, discØ 345, Blue Caliper	Gasolina	RWD	2998	265	360	07.15-06.19	■

# LISTA DE APLICACIONES - BUYERS GUIDE

340 i xDrive (B58 B30 A)	M technique, discØ 345	Gasolina	4WD	2998	265	360	07.15-06.19	■
316 d (B47 D20 A)	sports package	Diesel	RWD	1995	85	116	11.12-06.19	■
316 d (N47 D20 C)	sports package	Diesel	RWD	1995	85	116	11.12-06.19	■
318 d (B47 D20 A)		Diesel	RWD	1995	100	136	11.12-06.19	■
318 d (N47 D20 C)		Diesel	RWD	1995	100	136	11.12-06.19	■
318 d (N47 D20 C)	sports package	Diesel	RWD	1995	105	143	11.12-06.15	■
318 d xDrive (N47 D20 C)		Diesel	4WD	1995	105	143	07.13-06.15	■
318 d (B47 D20 A)	M technique, discØ 345	Diesel	RWD	1995	110	150	07.15-06.19	■
318 d xDrive (B47 D20 A)	M technique, discØ 345	Diesel	4WD	1995	110	150	07.15-02.18	■
320 d (B47 D20 A)		Diesel	RWD	1995	120	163	07.12-06.19	■
320 d (N47 D20 C)		Diesel	RWD	1995	120	163	07.12-06.19	■
320 d xDrive (B47 D20 A)		Diesel	4WD	1995	120	163	03.13-06.19	■
320 d xDrive (N47 D20 C)		Diesel	4WD	1995	120	163	03.13-06.19	■
320 d (N47 D20 C)	sports package	Diesel	RWD	1995	135	184	07.12-02.16	■
320 d xDrive (N47 D20 C)		Diesel	4WD	1995	135	184	03.13-06.15	■
320 d (B47 D20 A)	M technique, discØ 345	Diesel	RWD	1995	140	190	07.15-06.19	■
320 d xDrive (B47 D20 A)	M technique, discØ 345	Diesel	4WD	1995	140	190	07.15-06.19	■
320 d (N47 D20 C)		Diesel	RWD	1995	147	200	07.12-02.16	■
320 d xDrive (N47 D20 C)		Diesel	4WD	1995	147	200	03.13-06.15	■
325 d (N47 D20 D)		Diesel	RWD	1995	155	211	03.13-02.16	■
325 d (N47 D20 D)		Diesel	RWD	1995	160	218	03.13-02.16	■
325 d (B47 D20 B)		Diesel	RWD	1995	165	224	03.16-02.18	■
330 d (N57 D30 A)	sports package	Diesel	RWD	2993	190	258	07.12-06.19	■
330 d xDrive (N57 D30 A)		Diesel	4WD	2993	190	258	03.13-06.19	■
330 d (N57 D30 A)		Diesel	RWD	2993	210	286	07.12-06.19	■
330 d M Performance Power Kit xDrive (N57 D30 A)		Diesel	4WD	2993	210	286	03.13-06.19	■
335 d xDrive (N57 D30 B)		Diesel	4WD	2993	230	313	11.13-06.19	■
<b>3 Serie VI Touring Van (F31) 07.12-06.19</b>					<b>Estate Van (Compact executive car-D Segment)</b>			
330i (B48 B20 A)	M technique, discØ 345	Gasolina	RWD	1998	185	252	07.15-06.19	■
340 i (B58 B30 A)		Gasolina	RWD	2998	240	326	07.15-06.19	■
330 d (N57 D30 A)	sports package	Diesel	RWD	2993	190	258	07.12-06.19	■
330 d xDrive (N57 D30 A)		Diesel	4WD	2993	190	258	03.13-06.19	■
<b>4 Serie (F33, F83) 10.13-</b>					<b>Convertible (Compact executive car-D Segment)</b>			
420 i (N20 B20 B)		Gasolina	RWD	1997	120	163	07.14-02.16	■
420 i (N20 B20 B)		Gasolina	RWD	1997	135	184	07.14-02.16	■
428 i (N20 B20 A)		Gasolina	RWD	1997	180	245	11.13-02.17	■
428 i (N26 B20 A)		Gasolina	RWD	1997	180	245	11.13-02.17	■
428 i xDrive (N20 B20 A)		Gasolina	4WD	1997	180	245	03.14-02.16	■
428 i xDrive (N26 B20 A)		Gasolina	4WD	1997	180	245	03.14-02.16	■
420 i (B48 B20 A)		Gasolina	RWD	1998	120	163	03.16-07.20	■
420 i (B48 B20 A)		Gasolina	RWD	1998	135	184	03.16-07.20	■
430 i (B46 B20 B)		Gasolina	RWD	1998	185	252	03.16-07.20	■
430 i (B48 B20 B)		Gasolina	RWD	1998	185	252	03.16-07.20	■
430 i xDrive (B46 B20 B)		Gasolina	4WD	1998	185	252	03.16-07.20	■
430 i xDrive (B48 B20 B)		Gasolina	4WD	1998	185	252	03.16-07.20	■
435 i (N55 B30 A)		Gasolina	RWD	2979	225	306	11.13-02.16	■
435 i xDrive (N55 B30 A)		Gasolina	4WD	2979	225	306	07.14-02.16	■
435 i (N55 B30 A)		Gasolina	RWD	2979	250	340	11.13-02.16	■
435 i xDrive (N55 B30 A)		Gasolina	4WD	2979	250	340	07.14-02.16	■
M4 (S55 B30 A)	not ceramic brakes	Gasolina	RWD	2979	317	431	07.14-07.20	■

# LISTA DE APLICACIONES - BUYERS GUIDE

M4 Competition (S55 B30 A)	not ceramic brakes	Gasolina	RWD	2979	331	450	03.16-07.20	■	
440 i (B58 B30 A)		Gasolina	RWD	2998	240	326	03.16-07.20	■	
440 i xDrive (B58 B30 A)		Gasolina	4WD	2998	240	326	03.16-07.20	■	
440 i (B58 B30 A)		Gasolina	RWD	2998	265	360	03.16-07.20	■	
440 i xDrive (B58 B30 A)		Gasolina	4WD	2998	265	360	03.16-07.20	■	
420 D (B47 D20 A)		Diesel	RWD	1995	120	163	11.13-07.20	■	
420 D (N47 D20 C)		Diesel	RWD	1995	120	163	11.13-07.20	■	
420 D (N47 D20 C)		Diesel	RWD	1995	135	184	10.13-06.15	■	
420 D (B47 D20 A)	M technique, discØ 345	Diesel	RWD	1995	140	190	07.15-07.20	■	
420 D (N47 D20 C)		Diesel	RWD	1995	147	200	10.13-06.15	■	
420 D		Diesel	RWD	1995	151	205	07.15-07.20	■	
425 d (N47 D20 D)		Diesel	RWD	1995	155	211	07.14-02.16	■	
425 d (N47 D20 D)		Diesel	RWD	1995	160	218	07.14-02.16	■	
425 d (B47 D20 B)		Diesel	RWD	1995	165	224	03.16-02.18	■	
430 d (N57 D30 A)		Diesel	RWD	2993	190	258	07.14-07.20	■	
430 d (N57 D30 A)		Diesel	RWD	2993	210	286	07.14-07.20	■	
435 d xDrive (N57 D30 B)		Diesel	4WD	2993	230	313	07.14-07.20	■	
<b>4 Serie (F32, F82) 07.13-</b>							<b>Coupe (Compact executive car-D Segment)</b>		
418 i (B38 B15 A)		Gasolina	RWD	1499	100	136	03.16-06.20	■	
418 i (B38 B15 A)	sports package	Gasolina	RWD	1499	100	136	07.15-12.20	■	
420 i (N20 B20 A)		Gasolina	RWD	1997	120	163	11.13-02.17	■	
420 i (N20 B20 B)		Gasolina	RWD	1997	120	163	11.13-02.17	■	
420 i (N20 B20 B)	M technique	Gasolina	RWD	1997	120	163	03.14-02.17	■	
420 i xDrive (N20 B20 A)		Gasolina	4WD	1997	120	163	11.13-02.16	■	
420 i xDrive (N20 B20 B)		Gasolina	4WD	1997	120	163	11.13-02.16	■	
420 i xDrive (N20 B20 B)	M technique	Gasolina	4WD	1997	120	163	07.14-02.16	■	
420 i (N20 B20 A)		Gasolina	RWD	1997	135	184	11.13-02.17	■	
420 i (N20 B20 B)		Gasolina	RWD	1997	135	184	11.13-02.17	■	
420 i (N20 B20 B)	M technique	Gasolina	RWD	1997	135	184	03.14-02.17	■	
420 i xDrive (N20 B20 A)		Gasolina	4WD	1997	135	184	11.13-02.16	■	
420 i xDrive (N20 B20 B)		Gasolina	4WD	1997	135	184	11.13-02.16	■	
420 i xDrive (N20 B20 B)	M technique	Gasolina	4WD	1997	135	184	07.14-02.16	■	
428 i (N20 B20 A)		Gasolina	RWD	1997	180	245	07.13-02.17	■	
428 i (N26 B20 A)		Gasolina	RWD	1997	180	245	07.13-02.17	■	
428 i (N20 B20 A)	M technique	Gasolina	RWD	1997	180	245	03.14-06.16	■	
428 i (N26 B20 A)	M technique	Gasolina	RWD	1997	180	245	03.14-06.16	■	
428 i xDrive (N20 B20 A)		Gasolina	4WD	1997	180	245	07.13-02.16	■	
428 i xDrive (N26 B20 A)		Gasolina	4WD	1997	180	245	07.13-02.16	■	
428 i xDrive (N20 B20 A)	M technique	Gasolina	4WD	1997	180	245	03.14-02.16	■	
428 i xDrive (N26 B20 A)	M technique	Gasolina	4WD	1997	180	245	03.14-02.16	■	
420 i (B48 B20 A)		Gasolina	RWD	1998	120	163	03.16-06.20	■	
420 i (B48 B20 A)		Gasolina	RWD	1998	120	163	03.16-05.21	■	
420 i xDrive (B48 B20 A)		Gasolina	4WD	1998	120	163	03.16-06.20	■	
420 i xDrive (B48 B20 A)		Gasolina	4WD	1998	120	163	03.16-05.21	■	
420 i (B48 B20 A)		Gasolina	RWD	1998	135	184	03.16-06.20	■	
420 i (B48 B20 A)	M technique	Gasolina	RWD	1998	135	184	03.16-05.21	■	
420 i xDrive (B48 B20 A)		Gasolina	4WD	1998	135	184	03.16-06.20	■	
420 i xDrive (B48 B20 A)	M technique	Gasolina	4WD	1998	135	184	03.16-05.21	■	
430 i (B48 B20 B)		Gasolina	RWD	1998	183	249	03.16-06.20	■	
430 i xDrive (B48 B20 B)		Gasolina	4WD	1998	183	249	03.16-06.20	■	
430 i xDrive (B48 B20 B)		Gasolina	4WD	1998	183	249	03.16-05.21	■	

# LISTA DE APLICACIONES - BUYERS GUIDE

430 i (B46 B20 B)		Gasolina	RWD	1998	185	252	03.16-06.20	■
430 i (B48 B20 B)		Gasolina	RWD	1998	185	252	03.16-06.20	■
430 i (B46 B20 B)	sports package	Gasolina	RWD	1998	185	252	03.16-05.21	■
430 i (B48 B20 B)	sports package	Gasolina	RWD	1998	185	252	03.16-05.21	■
430 i xDrive (B46 B20 B)		Gasolina	4WD	1998	185	252	03.16-06.20	■
430 i xDrive (B48 B20 B)		Gasolina	4WD	1998	185	252	03.16-06.20	■
430 i xDrive (B46 B20 B)	sports package	Gasolina	4WD	1998	185	252	03.16-05.21	■
430 i xDrive (B48 B20 B)	sports package	Gasolina	4WD	1998	185	252	03.16-05.21	■
435 i (N55 B30 A)		Gasolina	RWD	2979	225	306	07.13-02.16	■
435 i (N55 B30 A)	M technique	Gasolina	RWD	2979	225	306	03.14-02.16	■
435 i xDrive (N55 B30 A)		Gasolina	4WD	2979	225	306	07.13-02.16	■
435 i xDrive (N55 B30 A)	M technique	Gasolina	4WD	2979	225	306	07.14-02.16	■
435 i (N55 B30 A)		Gasolina	RWD	2979	250	340	07.13-02.16	■
435 i (N55 B30 A)	M technique	Gasolina	RWD	2979	250	340	03.14-02.16	■
435 i xDrive (N55 B30 A)		Gasolina	4WD	2979	250	340	07.13-02.16	■
435 i xDrive (N55 B30 A)	M technique	Gasolina	4WD	2979	250	340	07.14-02.16	■
M4 (S55 B30 A)	not ceramic brakes	Gasolina	RWD	2979	317	431	03.14-06.20	■
M4 Competition (S55 B30 A)	not ceramic brakes	Gasolina	RWD	2979	331	450	03.16-06.20	■
M4 CS (S55 B30 A)		Gasolina	RWD	2979	338	460	07.17-06.19	■
M4 GTS (S55 B30 A)	not ceramic brakes	Gasolina	RWD	2979	368	500	03.16-06.19	■
440 i (B58 B30 A)		Gasolina	RWD	2998	240	326	03.16-06.20	■
440 i (B58 B30 A)	sports package	Gasolina	RWD	2998	240	326	03.16-05.21	■
440 i xDrive (B58 B30 A)		Gasolina	4WD	2998	240	326	03.16-06.20	■
440 i xDrive (B58 B30 A)	sports package	Gasolina	4WD	2998	240	326	03.16-05.21	■
440 i (B58 B30 A)		Gasolina	RWD	2998	265	360	03.16-06.20	■
440 i (B58 B30 A)	sports package	Gasolina	RWD	2998	265	360	03.16-05.21	■
440 i xDrive (B58 B30 A)		Gasolina	4WD	2998	265	360	03.16-06.20	■
440 i xDrive (B58 B30 A)	sports package	Gasolina	4WD	2998	265	360	03.16-05.21	■
418 D (B47 D20 A)		Diesel	RWD	1995	100	136	03.15-10.17	■
418 D (B47 D20 A)	M technique	Diesel	RWD	1995	100	136	03.14-12.20	■
418 D (N47 D20 C)	M technique	Diesel	RWD	1995	100	136	03.14-12.20	■
418 D (N47 D20 C)	M technique	Diesel	RWD	1995	105	143	03.14-06.15	■
418 D (B47 D20 A)		Diesel	RWD	1995	110	150	03.15-10.17	■
418 D (B47 D20 A)	M technique, discØ 345	Diesel	RWD	1995	110	150	07.15-12.20	■
420 D (B47 D20 A)		Diesel	RWD	1995	120	163	07.13-06.20	■
420 D (N47 D20 C)		Diesel	RWD	1995	120	163	07.13-06.20	■
420 D (B47 D20 A)	M technique	Diesel	RWD	1995	120	163	03.14-12.20	■
420 D (N47 D20 C)	M technique	Diesel	RWD	1995	120	163	03.14-12.20	■
420 d xDrive (B47 D20 A)		Diesel	4WD	1995	120	163	11.13-06.20	■
420 d xDrive (N47 D20 C)		Diesel	4WD	1995	120	163	11.13-06.20	■
420 d xDrive (B47 D20 A)	M technique	Diesel	4WD	1995	120	163	03.14-12.20	■
420 d xDrive (N47 D20 C)	M technique	Diesel	4WD	1995	120	163	03.14-12.20	■
420 D (N47 D20 C)		Diesel	RWD	1995	135	184	07.13-02.15	■
420 D (N47 D20 C)	M technique	Diesel	RWD	1995	135	184	03.14-02.15	■
420 d xDrive (N47 D20 C)		Diesel	4WD	1995	135	184	11.13-02.15	■
420 d xDrive (N47 D20 C)	M technique	Diesel	4WD	1995	135	184	03.14-02.15	■
420 D (B47 D20 A)		Diesel	RWD	1995	140	190	03.15-06.20	■
420 D (B47 D20 A)	M technique	Diesel	RWD	1995	140	190	03.15-12.20	■
420 d xDrive (B47 D20 A)		Diesel	4WD	1995	140	190	03.15-06.20	■
420 d xDrive (B47 D20 A)	M technique	Diesel	4WD	1995	140	190	03.15-12.20	■
420 D (N47 D20 C)		Diesel	RWD	1995	147	200	07.13-03.15	■

# LISTA DE APLICACIONES - BUYERS GUIDE

420 D (N47 D20 C)	M technique	Diesel	RWD	1995	147	200	03.14-02.15	■
420 d xDrive (N47 D20 C)		Diesel	4WD	1995	147	200	11.13-03.15	■
420 d xDrive (N47 D20 C)	M technique	Diesel	4WD	1995	147	200	03.14-02.15	■
425 d (N47 D20 D)		Diesel	RWD	1995	155	211	03.14-02.16	■
425 d (B47 D20 B)	M technique	Diesel	RWD	1995	155	211	03.16-02.18	■
425 d (N47 D20 D)		Diesel	RWD	1995	160	218	03.14-02.16	■
425 d (B47 D20 B)		Diesel	RWD	1995	165	224	03.16-10.17	■
425 d (B47 D20 B)	M technique	Diesel	RWD	1995	165	224	03.16-02.18	■
430 d (N57 D30 A)		Diesel	RWD	2993	190	258	11.13-06.20	■
430 d (N57 D30 A)	M technique	Diesel	RWD	2993	190	258	07.14-12.20	■
430 d xDrive (N57 D30 A)		Diesel	4WD	2993	190	258	03.14-06.20	■
430 d xDrive (N57 D30 A)	M technique	Diesel	4WD	2993	190	258	07.14-12.20	■
430 d (N57 D30 A)		Diesel	RWD	2993	210	286	11.13-06.20	■
430 d (N57 D30 A)	M technique	Diesel	RWD	2993	210	286	07.14-12.20	■
430 d xDrive (N57 D30 A)		Diesel	4WD	2993	210	286	03.14-06.20	■
430 d xDrive (N57 D30 A)	M technique	Diesel	4WD	2993	210	286	07.14-12.20	■
435 d xDrive (N57 D30 B)		Diesel	4WD	2993	230	313	11.13-06.20	■
435 d xDrive (N57 D30 B)	M technique	Diesel	4WD	2993	230	313	07.14-12.20	■
<b>4 Serie II (G22, G82) 07.20-</b>					<b>Coupe (Compact executive car-D Segment)</b>			
M4 CS xDrive		Gasolina	4WD	2993	405	551	07.24-	■