

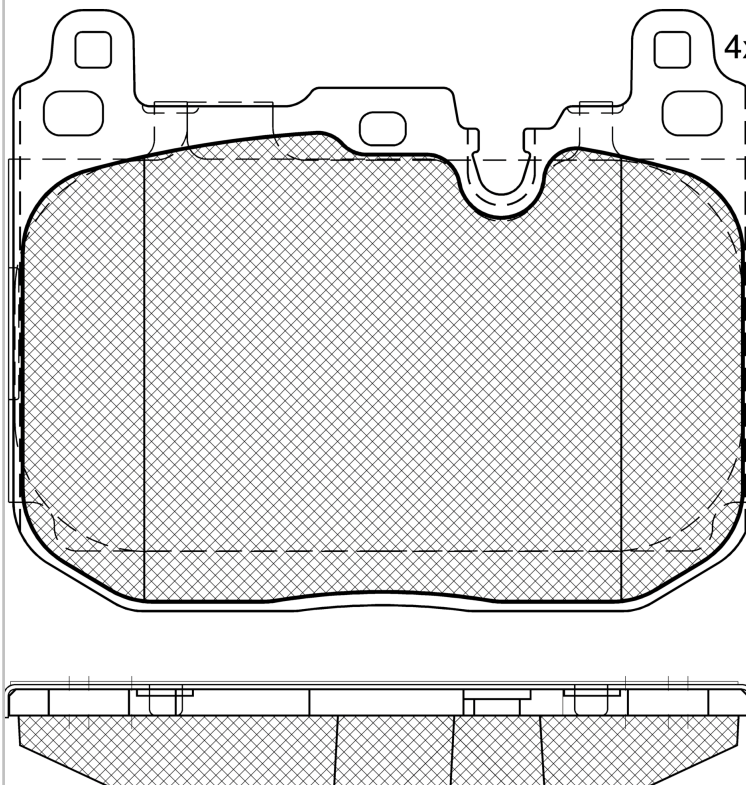
LISTA DE APLICACIONES - BUYERS GUIDE

182093-208



Qty: 300 Weight: 1.855

O.E.M.	MAKE
34 10 6 889 266	BMW



182093-208

4x E 9 90R-02A0111/5225

Brembo

114.2x91.3x15

WVA
25028

MAKE

BMW
MINI



Trac.	CC	Kw	CV		
					Front / Rear

BMW

1 Serie III (F40) 07.19-							Hatchback (Compact car-C Segment)			
116 i (B38 A15 A)	discØ 360, Performance M, M-sport package	Gasolina	FWD	1499	80	109	11.20-	■		
118 i (B38 A15 A)	discØ 360, M-sport package, Performance M	Gasolina	FWD	1499	100	136	11.20-	■		
118 i (B38 A15 A)	M-sport package, discØ 360	Gasolina	FWD	1499	103	140	07.19-	■		
120 i (B48 A20 A)	discØ 360, Performance M, M-sport package	Gasolina	FWD	1998	131	178	11.20-	■		
120 i (B48 A20 F)	discØ 360, Performance M, M-sport package	Gasolina	FWD	1998	131	178	11.20-	■		
128 ti (B48 A20 B)		Gasolina	FWD	1998	180	245	11.20-	■		
128 ti (B48 A20 E)	discØ 360, Performance M, M-sport package	Gasolina	FWD	1998	195	265	11.20-	■		
M 135 i xDrive (B48 A20 E)	M-sport package	Gasolina	4WD	1998	225	306	07.19-	■		
116 d (B37 C15 A)	M-sport package, discØ 360	Diesel	FWD	1496	85	116	07.19-	■		
118 d (B47 C20 B)	discØ 360	Diesel	FWD	1995	100	136	07.19-	■		
118 d (B47 C20 B)	M-sport package, discØ 360	Diesel	FWD	1995	110	150	07.19-	■		
120 d (B47 C20 B)		Diesel	FWD	1995	140	190	03.20-	■		
120 d xDrive (B47 C20 B)	M-sport package, discØ 360	Diesel	4WD	1995	140	190	07.19-	■		
2 Gran Coupe (F44) 11.19-							Coupe (Compact car-C Segment)			
218i (B38 A15 A)	Performance M, M-sport package, discØ 360	Gasolina	FWD	1499	100	136	11.20-	■		
218i (B38 A15 A)		Gasolina	FWD	1499	103	140	11.19-	■		
220 i (B48 A20 A)	Performance M, M-sport package, discØ 360	Gasolina	FWD	1998	131	178	11.20-	■		
220 i (B48 A20 F)	Performance M, M-sport package, discØ 360	Gasolina	FWD	1998	131	178	11.20-	■		

LISTA DE APLICACIONES - BUYERS GUIDE

220 i xDrive	Performance M, M-sport package, discØ 360	Gasolina	4WD	1998	131	178	03.21-	■	
M 235 i xDrive (B48 A20 E)		Gasolina	4WD	1998	225	306	11.19-	■	
216 d (B37 C15 A)		Diesel	FWD	1496	85	116	03.20-	■	
218d (B47 C20 B)	discØ 360, sports package, M-sport package, Performance M	Diesel	FWD	1995	100	136	07.20-10.24	■	
218d (B47 C20 B)	discØ 360, sports package, M-sport package, Performance M	Diesel	FWD	1995	110	150	07.20-	■	
220 d (B47 C20 B)		Diesel	FWD	1995	120	163	11.19-	■	
220 d (B47 C20 B)		Diesel	FWD	1995	140	190	11.19-	■	
220 d xDrive (B47 C20 B)	discØ 360, sports package, M-sport package, Performance M	Diesel	4WD	1995	140	190	07.20-10.24	■	
X1 II (F48) 11.14-					SUV (Compact SUV-J Segment)				
sDrive18i (B38 A15 A)		Gasolina	FWD	1499	100	136	11.15-06.22	■	
sDrive18i (B38 A15 A)		Gasolina	FWD	1499	103	140	07.17-06.22	■	
sDrive20i (B48 A20 A)	discØ 360, M-sport package	Gasolina	FWD	1998	131	178	11.20-06.22	■	
sDrive20i (B48 A20 F)	discØ 360, M-sport package	Gasolina	FWD	1998	131	178	11.20-06.22	■	
xDrive20i (B48 A20 A)	discØ 360, M-sport package	Gasolina	4WD	1998	131	178	11.20-06.22	■	
xDrive20i (B48 A20 F)	discØ 360, M-sport package	Gasolina	4WD	1998	131	178	11.20-06.22	■	
sDrive20i (B42 S20 A)		Gasolina	FWD	1998	141	192	07.15-06.22	■	
sDrive20i (B48 A20 A)		Gasolina	FWD	1998	141	192	07.15-06.22	■	
sDrive20i (B48 A20 F)		Gasolina	FWD	1998	141	192	07.15-06.22	■	
xDrive20i (B48 A20 A)		Gasolina	4WD	1998	141	192	07.15-06.22	■	
xDrive20i (B48 A20 B)		Gasolina	4WD	1998	141	192	07.15-06.22	■	
xDrive20i (B48 A20 F)		Gasolina	4WD	1998	141	192	07.15-06.22	■	
xDrive 25 i (B42 S20 A)		Gasolina	4WD	1998	170	231	07.15-10.21	■	
xDrive 25 i (B46 A20 B)		Gasolina	4WD	1998	170	231	07.15-10.21	■	
xDrive 25 i (B48 A20 B)		Gasolina	4WD	1998	170	231	07.15-10.21	■	
sDrive 16 d (B37 C15 A)		Diesel	FWD	1496	85	116	11.14-05.22	■	
sDrive 18 d (B47 C20 A)		Diesel	FWD	1995	100	136	07.15-06.22	■	
xDrive 18 d (B47 C20 A)		Diesel	4WD	1995	100	136	11.14-06.22	■	
sDrive 18 d (B47 C20 A)		Diesel	FWD	1995	110	150	07.15-06.22	■	
sDrive 18 d (B47 C20 B)		Diesel	FWD	1995	110	150	07.15-06.22	■	
xDrive 18 d (B47 C20 A)		Diesel	4WD	1995	110	150	11.14-06.22	■	
xDrive 18 d (B47 C20 B)		Diesel	4WD	1995	110	150	11.14-06.22	■	
sDrive 20 d (B47 C20 A)		Diesel	FWD	1995	120	163	11.15-05.22	■	
sDrive 20 d (B47 C20 B)		Diesel	FWD	1995	120	163	11.15-05.22	■	
xDrive 20 d (B47 C20 A)		Diesel	4WD	1995	120	163	07.15-06.22	■	
xDrive 20 d (B47 C20 B)		Diesel	4WD	1995	120	163	07.15-06.22	■	
sDrive 20 d (B47 C20 A)		Diesel	FWD	1995	140	190	11.15-05.22	■	
sDrive 20 d (B47 C20 B)		Diesel	FWD	1995	140	190	11.15-05.22	■	
xDrive 20 d (B47 C20 A)		Diesel	4WD	1995	140	190	07.15-06.22	■	
xDrive 20 d (B47 C20 B)		Diesel	4WD	1995	140	190	07.15-06.22	■	
X1 II Van (F48) 07.15-					SUV Van (Compact SUV-J Segment)				
sDrive18i (B38 A15 A)	M-sport package, discØ 360	Gasolina	FWD	1499	103	140	07.17-06.22	■	
sDrive20i (B48 A20 A)	M-sport package, discØ 360	Gasolina	FWD	1998	141	192	07.17-06.22	■	
sDrive 18 d (B47 C20 A)	M-sport package, discØ 360	Diesel	FWD	1995	110	150	07.15-06.22	■	
sDrive 18 d (B47 C20 B)	M-sport package, discØ 360	Diesel	FWD	1995	110	150	07.15-06.22	■	
sDrive 20 d (B47 C20 A)	M-sport package, discØ 360	Diesel	FWD	1995	140	190	11.15-05.22	■	
sDrive 20 d (B47 C20 B)	M-sport package, discØ 360	Diesel	FWD	1995	140	190	11.15-05.22	■	
xDrive 20 d (B47 C20 A)	M-sport package, discØ 360	Diesel	4WD	1995	140	190	07.15-06.22	■	
xDrive 20 d (B47 C20 B)	M-sport package, discØ 360	Diesel	4WD	1995	140	190	07.15-06.22	■	

LISTA DE APLICACIONES - BUYERS GUIDE

X2 (F39) 11.17-						SUV (Compact SUV-J Segment)			
sDrive20i (B48 A20 A)	discØ 360, M-sport package	Gasolina	FWD	1998	131	178	11.20-10.23	■	
sDrive20i (B48 A20 F)	discØ 360, M-sport package	Gasolina	FWD	1998	131	178	11.20-10.23	■	
xDrive20i (B48 A20 A)	discØ 360, M-sport package	Gasolina	4WD	1998	131	178	11.20-10.23	■	
M35 i (B48 A20 E)		Gasolina	4WD	1998	225	306	11.18-10.23	■	
sDrive 16 d (B37 C15 A)	M-sport package	Diesel	FWD	1496	85	116	11.18-10.23	■	
sDrive 20 d (B47 C20 A)		Diesel	FWD	1995	120	163	11.18-10.23	■	
sDrive 20 d (B47 C20 B)		Diesel	FWD	1995	120	163	11.18-10.23	■	
sDrive 20 d (B47 C20 A)		Diesel	FWD	1995	140	190	11.18-10.23	■	
sDrive 20 d (B47 C20 B)		Diesel	FWD	1995	140	190	11.18-10.23	■	
MINI									
MINI (F56) 12.13-						Hatchback (Supermini car-B Segment)			
John Cooper Works (B46 A20 B)		Gasolina	FWD	1998	170	231	03.15-	■	
John Cooper Works (B48 A20 B)		Gasolina	FWD	1998	170	231	03.15-	■	
John Cooper Works GP (B48 A20 E)		Gasolina	FWD	1998	225	306	03.20-	■	
MINI CLUBMAN II (F54) 11.14-						Estate (Supermini car-B Segment)			
John Cooper Works (B48 A20 E)		Gasolina	4WD	1998	225	306	07.19-	■	
MINI COUNTRYMAN II (F60) 10.16-						Estate (Supermini car-B Segment)			
John Cooper Works ALL4 (B48 A20 E)		Gasolina	4WD	1998	225	306	07.19-	■	