

# LISTA DE APLICACIONES - BUYERS GUIDE

## 182094

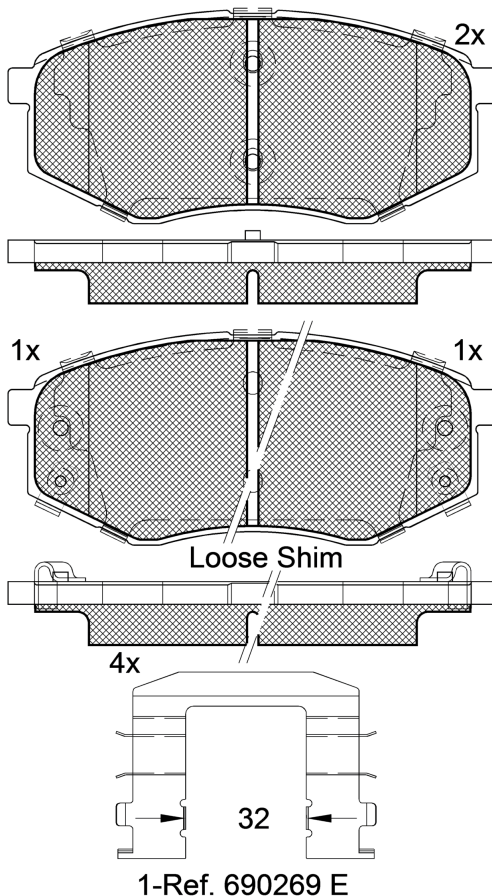


8 424073 105813

Qty: 300

Weight: 1.695

O.E.M.	MAKE
58101-1KA00	HYUNDAI
58101-2SA00	HYUNDAI
58101-3SA25	KIA
58101-3SA26	HYUNDAI
58101-B2A10	KIA
58101-B2A70	KIA
58101-C1A20	KIA
S58101-B2A70	KIA



## 182094

E 9 90R-02A0111/3568



Mando

129.9x56.6x17.4

WVA	FMSI
25187	D1447-8615
25188	
25189	

MAKE
HYUNDAI
HYUNDAI (BEIJING)
KIA
TOYOTA



Trac.	CC	Kw	CV
-------	----	----	----



Front / Rear

### HYUNDAI

#### ix20 (JC) 11.10-

#### Hatchback (Mini MPV-M1 Segment)

Model	Engine	Trac.	CC	Kw	CV	Year	Front / Rear
1.4 (G4FA)	Gasolina	FWD	1396	66	90	11.10-07.19	■
1.4 (G4FA)	Gasolina	FWD	1396	74	100	11.10-07.19	■
1.6 (G4FC)	Gasolina	FWD	1591	92	125	11.10-07.19	■
1.4 LPG (G4FA)	Gasol./Gas (LPG)	FWD	1396	66	90	11.10-07.19	■
1.6 LPG (G4FC)	Gasol./Gas (LPG)	FWD	1591	92	125	11.10-07.19	■
1.4 CRDi (D4FC)	Diesel	FWD	1396	57	78	06.11-07.19	■
1.4 CRDi (D4FC)	Diesel	FWD	1396	66	90	11.10-07.19	■
1.6 CRDi (D4FB)	Diesel	FWD	1582	85	116	06.11-07.19	■
1.6 CRDi (D4FB)	Diesel	FWD	1582	94	128	06.11-07.19	■

#### ix35 / TUCSON II 08.09-12.15

#### SUV Van (Compact SUV-J Segment)

CRDi	Diesel	FWD	1995	100	136	08.09-12.15	■
------	--------	-----	------	-----	-----	-------------	---

#### ix35 / TUCSON II (LM, EL, ELH) 08.09-

#### SUV (Compact SUV-J Segment)

2.0 4WD (G4KD)	Gasolina	4WD	1998	120	163	01.10-12.15	■
2.4 CVVT 4WD (G4KE)	Gasolina	4WD	2359	125	170	12.14-06.15	■
2.4 DCVVT-I 4WD (G4KE)	Gasolina	4WD	2359	128	174	07.10-12.13	■
2.4 4WD (G4KE)	Gasolina	4WD	2359	129	175	09.12-12.13	■
2.4 4WD (G4KE)	Gasolina	4WD	2359	130	177	01.10-12.15	■
2.4 GDI 4WD	Gasolina	4WD	2359	136	185	01.13-12.15	■
2.0 CRDi 4WD (D4HA)	Diesel	4WD	1995	100	136	01.10-12.15	■
2.0 CRDi (D4HA)	Diesel	FWD	1995	132	179	01.10-06.15	■
2.0 CRDi 4WD (D4HA)	Diesel	4WD	1995	132	179	01.10-06.15	■

# LISTA DE APLICACIONES - BUYERS GUIDE

2.0 CRDi (D4HA)		Diesel	FWD	1995	135	184	08.09-12.15	■	
2.0 CRDi 4WD (D4HA)		Diesel	4WD	1995	135	184	01.10-12.15	■	
<b>SONATA VI / i45 VI (YF) 06.09-12.15</b>					<b>Saloon (Executive car-E Segment)</b>				
2.0 (G4KD)		Gasolina	FWD	1998	110	150	06.09-06.14	■	
2.0 i (G4KD)		Gasolina	FWD	1998	120	163	09.12-06.14	■	
2.0 i (G4KD)		Gasolina	FWD	1998	121	165	01.11-06.14	■	
2.4 (G4KC)		Gasolina	FWD	2359	131	178	11.10-12.15	■	
2.0 Hybrid (G4NA)		Gasol./el éc.	FWD	1999	110	150	01.11-06.14	■	
<b>SONATA VII (LF) 03.14-06.23</b>					<b>Saloon (Executive car-E Segment)</b>				
2.0 CVVT (G4NA)	Rim 17	Gasolina	FWD	1999	110	150	11.14-12.19	■	
2.0 MPi (G4NA)	Rim 15, Rim 17	Gasolina	FWD	1999	115	157	06.14-12.19	■	
2.4	Rim 15, Rim 17	Gasolina	FWD	2359	126	171	03.17-12.19	■	
2.4 (G4KJ)	Rim 17	Gasolina	FWD	2359	138	188	09.14-12.19	■	
2.0 LPG (G4NA)	Rim 15, Rim 17	Gasol./Gas (LPG)	FWD	1999	113	154	09.14-12.19	■	
<b>HYUNDAI (BEIJING)</b>									
<b>ix35 (LM) 04.10-</b>					<b>SUV (Compact SUV-J Segment)</b>				
2.0		Gasolina	FWD	1998	120	163	04.10-	■	
2.0		Gasolina	FWD	1998	120	163	04.10-	■	
2.4 A las 4 ruedas (G4KE)		Gasolina	4WD	2359	125	170	04.12-	■	
2.4		Gasolina	FWD	2359	128	174	04.10-	■	
2.4		Gasolina	FWD	2359	128	174	04.10-	■	
<b>MISTRA II (DU) 07.20-</b>					<b>Saloon (Large family car-D Segment)</b>				
270 TGD i (G4FS)		Gasolina	FWD	1497	125	170	03.21-	■	
1.8 (G4NK)		Gasolina	FWD	1797	105	143	03.21-	■	
<b>KIA</b>									
<b>SOUL II (PS) 02.14-</b>					<b>Hatchback (Mini MPV-M1 Segment)</b>				
1.6 CVVT (G4FG)	Rim 15	Gasolina	FWD	1591	91	124	02.14-12.18	■	
1.6 CVVT	Rim 15	Gasolina	FWD	1591	95	129	07.16-12.18	■	
1.6 GDI (G4FD)	Rim 15	Gasolina	FWD	1591	97	132	02.14-12.18	■	
1.6 TGDI		Gasolina	FWD	1591	150	204	11.16-12.18	■	
2.0 CVVT	Rim 15	Gasolina	FWD	1998	116	158	07.16-	■	
2.0 CVVT (G4NA)		Gasolina	FWD	1999	110	150	08.16-12.18	■	
2.0 CVVT (G4NA)	Rim 15	Gasolina	FWD	1999	113	154	02.14-12.18	■	
1.6 LPG (G4FG)	Rim 15	Gasol./Gas (LPG)	FWD	1591	87	118	12.14-12.18	■	
1.6 LPG (G4FG)		Gasol./Gas (LPG)	FWD	1591	96	131	12.14-12.18	■	
1.6 CVVT Flex	Rim 15	Gasol./Etanol	FWD	1591	94	128	09.14-05.20	■	
EV Electric	Rim 15	Eléctrico	FWD		25	33	09.14-11.18	■	
EV Electric	Rim 15	Eléctrico	FWD		26	36	03.17-11.18	■	
EV Electric	Rim 15	Eléctrico	FWD		81	110	09.14-11.18	■	
1.6 CRDi 128 (D4FB)	Rim 15	Diesel	FWD	1582	94	126	02.14-12.18	■	
1.6 CRDi 136 (D4FB)	Rim 15	Diesel	FWD	1582	100	136	04.15-12.18	■	
<b>SPORTAGE III (SL) 09.09-</b>					<b>SUV (Compact SUV-J Segment)</b>				
1.6 GDI (G4FD)	-01/12	Gasolina	FWD	1591	99	135	06.10-12.15	■	
2.0 CVVT (G4KD)	-01/12	Gasolina	FWD	1998	110	150	06.10-12.13	■	
2.0 CVVT (G4KD)	-01/12	Gasolina	FWD	1998	120	163	07.10-12.15	■	
2.0 CVVT AWD (G4KD)	-01/12	Gasolina	4WD	1998	120	163	07.10-12.15	■	

## LISTA DE APLICACIONES - BUYERS GUIDE

2.0 CVVT (G4KD)	-01/12	Gasolina	FWD	1998	122	166	07.10-12.15	■
2.0 CVVT AWD (G4KD)	-01/12	Gasolina	4WD	1998	122	166	07.10-12.15	■
2.4 i AWD (G4KE)	-01/12	Gasolina	4WD	2359	130	177	08.10-12.15	■
1.7 CRDi (D4FD)	-01/12	Diesel	FWD	1685	85	116	12.10-12.15	■
2.0 CRDi (D4HA)	-01/12	Diesel	FWD	1995	100	136	07.10-12.15	■
2.0 CRDi AWD (D4HA)	-01/12	Diesel	4WD	1995	100	136	07.10-12.15	■
2.0 CRDi (D4HA)	-01/12	Diesel	FWD	1995	135	184	08.10-12.15	■
2.0 CRDi AWD (D4HA)	-01/12	Diesel	4WD	1995	135	184	08.10-12.15	■

### TOYOTA

#### **CAMRY (\_V1\_) 10.82-07.88**

#### **Saloon (Executive car-E Segment)**

1.8 Turbo-D (CV10_, CV10R) (1C-TL)		Diesel	FWD	1839	54	73	10.82-10.86	■
1.8 Turbo-D (CV10_, CV10R) (1C-TLC)		Diesel	FWD	1839	54	73	10.82-10.86	■