

LISTA DE APLICACIONES - BUYERS GUIDE

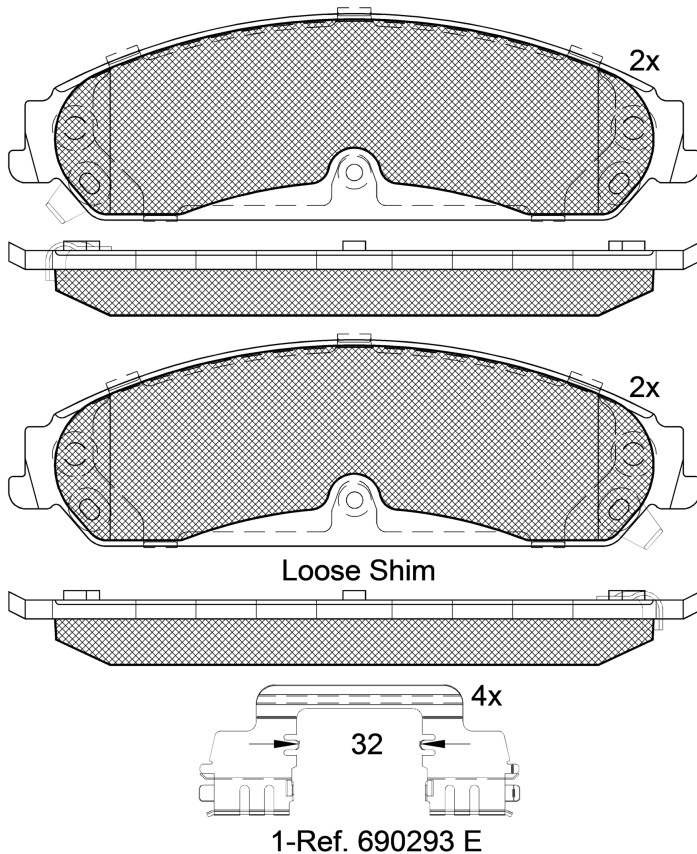
182097



Qty: 300

Weight: 2.085

O.E.M.	MAKE
681-4681-AA	LANCIA
68147681AA	DODGE
68147681AB	CHRYSLER
68147681AC	CHRYSLER
68147681AD	CHRYSLER
681-8543-4AA	LANCIA
K6818-5434-AA	LANCIA



182097

E 9 90R-02A0111/3565



Trw

183.4x54.8x17.8

WVA	FMSI
25322	D1058-8839
25605	
25606	

MAKE
CHRYSLER
DODGE
LANCIA



Trac.	CC	Kw	CV
-------	----	----	----



Front / Rear

CHRYSLER

							Convertible (Executive car-E Segment)			
200 01.10-										
2.4 (ED3)	BR1	Gasolina	FWD	2360	129	175	01.11-12.14		■	
2.4 (EDG)	BR1	Gasolina	FWD	2360	129	175	01.11-12.14		■	
3.6 (ERB)	BR1	Gasolina	FWD	3604	211	287	09.11-12.12		■	
3.6 Flexfuel		Gasol./Et anol	FWD	3604	211	287	09.10-		■	
							Saloon (Executive car-E Segment)			
200 01.10-										
2.4 (ED3)	BR1	Gasolina	FWD	2360	129	175	01.11-12.15		■	
2.4 (EDG)	BR1	Gasolina	FWD	2360	129	175	01.11-12.15		■	
3.6 Flexfuel	BR1	Gasol./Et anol	FWD	3604	211	287	09.10-		■	
							Saloon (Executive car-E Segment)			
200 II 06.14-										
2.4 (EDG)		Gasolina	FWD	2360	129	175	07.14-		■	
							Saloon (Luxury car-F Segment)			
300 C (LX, LE) 09.04-										
5.7	01/12-	Gasolina	FWD	5654	256	348	12.09-11.12		■	
							Saloon (Luxury car-F Segment)			
300 C II (LX) 09.10-										
3.6 (ERB)		Gasolina	RWD	3604	210	286	09.11-08.19		■	
3.6 (ERB)	BR6	Gasolina	RWD	3604	215	292	07.11-12.23		■	
3.6	BR6	Gasolina	RWD	3604	216	294	04.15-12.23		■	
3.6 (ERB)	BR6	Gasolina	RWD	3604	218	296	01.11-12.23		■	
6.4 (ESG)		Gasolina	RWD	6417	347	472	09.11-12.23		■	
3.0 CRD (EXF)		Diesel	RWD	2987	176	239	09.11-12.23		■	

DODGE

LISTA DE APLICACIONES - BUYERS GUIDE

CHALLENGER III 09.07-						Coupe (Supermini car-B Segment)			
5.7 (EZH)	01/12-	Gasolina	RWD	5654	277	377	09.08-12.23	■	
5.7 (EZC)	01/12-	Gasolina	RWD	5654	280	381	01.10-12.23	■	
CHARGER VII 09.10-						Saloon (Luxury car-F Segment)			
5.7 (EZH)		Gasolina	RWD	5654	272	370	06.12-	■	
5.7 R/T (EZH)		Gasolina	RWD	5654	276	375	09.10-	■	
5.7 R/T AWD (EZH)		Gasolina	4WD	5654	276	375	09.10-	■	
LANCIA									
FLAVIA III (JS_) 03.12-12.14						Convertible (Executive car-E Segment)			
2.4 (JK, JS) (EDG)		Gasolina	FWD	2360	125	170	03.12-12.14	■	
2.4 (JS) (EDG)		Gasolina	FWD	2360	129	175	03.12-12.14	■	
THEMA II (LX_) 09.11-						Saloon (Executive car-E Segment)			
3.6 (48, LX) (ERB)	sports chassis	Gasolina	RWD	3604	210	286	09.11-10.14	■	
3.0 D (LX, 48) (EXF)	sports chassis	Diesel	RWD	2987	140	190	09.11-10.14	■	
3.0 D (48, LX) (EXF)	sports chassis	Diesel	RWD	2987	176	239	09.11-10.14	■	