

# LISTA DE APLICACIONES - BUYERS GUIDE

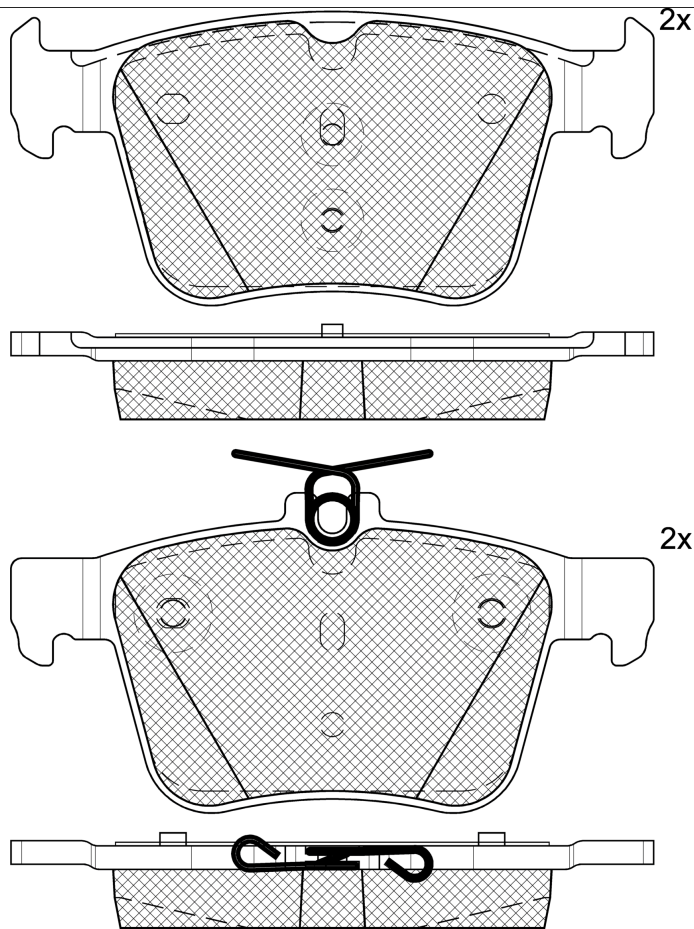
## 182098



8 424073 105882

Qty: 300

Weight: 1.120



## 182098

E 9 90R-02A0111/3606



Ate - Teves

123.1x56.3x16.1

123.1x61.3x16.1

O.E.M.	MAKE
3Q0 698 451	VW
3Q0 698 451 B	VW
3Q0 698 451 C	SKODA
3Q0 698 451 D	VW
3Q0 698 451 E	VW
3Q0 698 451 F	VW
3Q0 698 451 G	VW
3Q0 698 451 H	VW
3Q0 698 451 M	SEAT
3Q0 698 451 N	AUDI
3Q0 698 451 P	SKODA
3QF 698 451	VW
3TD 698 451	VW
5G0 698 451	VW
5Q0 698 451	VW
5Q0 698 451 AC	VW
5Q0 698 451 P	SKODA
5Q0 698 451 S	VW
5QD 698 451 A	VW
8V0 698 451 A	VW
8V0 698 451 D	VW

WVA	FMSI
25009	D1761-8996
25011	D2255-9493

**MAKE**

AUDI
AUDI (FAW)
CUPRA
SEAT
SKODA
VW
VW (FAW)
VW (SVW)



Trac.	CC	Kw	CV
-------	----	----	----



Front / Rear

### AUDI

A3 III (8V7, 8VE) 10.13-					Convertible (Compact executive car-D Segment)				
1.4 TFSI (CZCC)	PR 1KJ, PR 1KY, PR 1KZ, PR 2ED, elec.brake detention	Gasolina	FWD	1395	85	115	02.16-10.20	■	
1.4 TFSI (CXSB)	Rim 17, PR 1KJ, PR 1KY	Gasolina	FWD	1395	92	125	02.14-07.16	■	
1.4 TFSI (CZCA)	Rim 17, PR 1KJ, PR 1KY	Gasolina	FWD	1395	92	125	02.14-07.16	■	
1.4 TFSI (CPTA)	Rim 17, PR 1KJ, PR 1KY	Gasolina	FWD	1395	103	140	10.13-05.14	■	
1.4 TSI (CZEA)	PR 1KJ, PR 1KY	Gasolina	FWD	1395	110	150	05.14-10.20	■	
1.5 TFSI (DADA)	PR 1KJ, PR 1KY, PR 1KZ, PR 2ED	Gasolina	FWD	1498	110	150	05.17-10.18	■	
35 TFSI (DADA)	PR 1KJ, PR 1KY, PR 1KZ, PR 2ED, elec.brake detention	Gasolina	FWD	1498	110	150	10.18-10.20	■	
35 TFSI (DPCA)	PR 1KJ, PR 1KY, PR 1KZ, PR 2ED, elec.brake detention	Gasolina	FWD	1498	110	150	10.18-10.20	■	
1.8 TFSI (CNSB)	PR 1KJ, PR 1KY	Gasolina	FWD	1798	125	170	05.14-10.20	■	
1.8 TFSI (CJSA)	Rim 17, PR 1KJ, PR 1KY	Gasolina	FWD	1798	132	180	10.13-07.16	■	
1.8 TFSI (CJSB)	Rim 17, PR 1KJ, PR 1KY	Gasolina	FWD	1798	132	180	10.13-07.16	■	
1.8 TFSI quattro (CJSB)	Rim 17	Gasolina	4WD	1798	132	180	03.14-07.16	■	
2.0 TFSI (CZPB)	Rim 17, PR 1KJ, PR 1KY, PR 2ED, discØ 300, discØ 310	Gasolina	FWD	1984	140	190	05.16-10.20	■	
2.0 TFSI quattro (CZPB)	Rim 17, PR 1KJ, PR 1KY, PR 2ED, discØ 300, discØ 310	Gasolina	4WD	1984	140	190	05.16-10.20	■	
40 TFSI (DKZA)	PR 1KJ, PR 1KY, PR 1KZ, PR 2ED, elec.brake detention	Gasolina	FWD	1984	140	190	11.18-10.20	■	
40 TFSI quattro (DKZA)	PR 1KJ, PR 1KY, PR 1KZ, PR 2ED, elec.brake detention	Gasolina	4WD	1984	140	190	11.18-10.20	■	
2.0 TFSI quattro (CNTC)	PR 1KJ, PR 1KY	Gasolina	4WD	1984	162	220	05.14-10.20	■	
S3 quattro (CJXF)	PR 1KJ, PR 1KY	Gasolina	4WD	1984	210	286	03.14-07.16	■	
S3 quattro (DJHB)	Rim 17, PR 1KJ, PR 1KY, PR 2ES, PR 2ET, discØ 310	Gasolina	4WD	1984	213	290	07.16-10.20	■	

# LISTA DE APLICACIONES - BUYERS GUIDE

S3 quattro (CJXC)	Rim 17, PR 1KJ, PR 1KY, discØ 310	Gasolina	4WD	1984	221	300	04.14-10.20	■	
S3 quattro (DNUE)	Rim 17, PR 1KJ, PR 1KY, discØ 310	Gasolina	4WD	1984	221	300	04.14-10.20	■	
S3 quattro (DJHA)	Rim 17, PR 1KJ, PR 1KY, PR 2ED, discØ 300, discØ 310	Gasolina	4WD	1984	228	310	07.16-10.20	■	
1.6 TDI (CRKB)	Rim 17, PR 1KJ, PR 1KY	Diesel	FWD	1598	81	110	02.14-10.20	■	
1.6 TDI (CXXB)	Rim 17, PR 1KJ, PR 1KY	Diesel	FWD	1598	81	110	02.14-10.20	■	
1.6 TDI (DDYA)	PR 1KJ, PR 1KY, PR 1KZ, PR 2ED	Diesel	FWD	1598	85	115	04.17-10.20	■	
2.0 TDI (CRLC)	PR 1KJ, PR 1KY	Diesel	FWD	1968	100	136	10.13-07.16	■	
2.0 TDI (CRLB)	Rim 17, PR 1KJ, PR 1KY	Diesel	FWD	1968	110	150	10.13-10.20	■	
2.0 TDI (DCYA)	Rim 17, PR 1KJ, PR 1KY	Diesel	FWD	1968	110	150	10.13-10.20	■	
2.0 TDI quattro (CRLB)	Rim 17, PR 1KJ, PR 1KY	Diesel	4WD	1968	110	150	03.14-10.20	■	
2.0 TDI quattro (DCYA)	Rim 17, PR 1KJ, PR 1KY	Diesel	4WD	1968	110	150	03.14-10.20	■	
2.0 TDI (CUNA)	PR 1KJ, PR 1KY	Diesel	FWD	1968	135	184	05.14-07.16	■	
2.0 TDI quattro (CUNA)	PR 1KJ, PR 1KY	Diesel	4WD	1968	135	184	05.14-10.20	■	
2.0 TDI quattro (DGCA)	PR 1KJ, PR 1KY	Diesel	4WD	1968	135	184	05.14-10.20	■	
<b>A3 III (8V1, 8VK) 04.12-</b>							<b>Hatchback (Compact executive car-D Segment)</b>		
1.0 TFSI (CHZD)	Rim 17, PR 1KJ, PR 1KY, PR 2ED, discØ 300, discØ 310	Gasolina	FWD	999	85	115	07.16-12.17	■	
1.2 TFSI (CJZA)	Rim 17, PR 1KJ, PR 1KY, PR 2ED, discØ 300, discØ 310	Gasolina	FWD	1197	77	105	02.13-05.15	■	
1.2 TFSI (CYVB)	Rim 17, PR 1KJ, PR 1KY, PR 2ED, discØ 300, discØ 310	Gasolina	FWD	1197	81	110	05.14-08.16	■	
1.4 TFSI (CMBA)	Rim 17, PR 1KJ, PR 1KY, PR 2ED, discØ 300, discØ 310	Gasolina	FWD	1395	90	122	04.12-05.14	■	
1.4 TFSI (CXSA)	Rim 17, PR 1KJ, PR 1KY, PR 2ED, discØ 300, discØ 310	Gasolina	FWD	1395	90	122	04.12-05.14	■	
1.4 TFSI (CXSB)	Rim 17, PR 1KJ, PR 1KY, PR 2ED, discØ 300, discØ 310	Gasolina	FWD	1395	92	125	05.14-08.16	■	
1.4 TFSI (CZCA)	Rim 17, PR 1KJ, PR 1KY, PR 2ED, discØ 300, discØ 310	Gasolina	FWD	1395	92	125	05.14-08.16	■	
1.4 TFSI (CPTA)	Rim 17, PR 1KJ, PR 1KY, PR 2ED, discØ 300	Gasolina	FWD	1395	103	140	03.13-08.16	■	
1.4 TSI (CZEA)	PR 1KJ, PR 1KY, PR 2ED, discØ 300	Gasolina	FWD	1395	110	150	05.14-12.17	■	
1.5 TFSI (DADA)	discØ 300, PR 2ED	Gasolina	FWD	1498	110	150	05.17-12.17	■	
1.8 TFSI (CJSA)	Rim 17, PR 1KJ, PR 1KY, PR 2ED, discØ 300	Gasolina	FWD	1798	132	180	04.12-08.16	■	
1.8 TFSI quattro (CJSB)	Rim 17, PR 1KJ, PR 1KY, PR 2ED	Gasolina	4WD	1798	132	180	08.12-08.16	■	
2.0 TFSI (CZPB)	Rim 17, PR 1KJ, PR 1KY, PR 2ED, discØ 300, discØ 310	Gasolina	FWD	1984	140	190	05.16-12.17	■	
2.0 TFSI quattro (CZPB)	Rim 17, PR 1KJ, PR 1KY, PR 2ED, discØ 300, discØ 310	Gasolina	4WD	1984	140	190	05.16-12.17	■	
S3 quattro (CJXB)	Rim 17, PR 1KJ, PR 1KY, PR 2ED, discØ 300, discØ 310	Gasolina	4WD	1984	206	280	02.13-07.14	■	
S3 quattro (CJXF)	PR 1KJ, PR 1KY, PR 2ED	Gasolina	4WD	1984	210	286	05.14-08.16	■	
S3 quattro (CJXD)	Rim 17, PR 1KJ, PR 1KY, PR 2ED, discØ 300, discØ 310	Gasolina	4WD	1984	213	290	07.16-12.17	■	
S3 quattro (DJHB)	Rim 17, PR 1KJ, PR 1KY, PR 2ED, discØ 300, discØ 310	Gasolina	4WD	1984	213	290	07.16-12.17	■	
S3 quattro (CJXC)	Rim 17, PR 1KJ, PR 1KY, PR 2ED	Gasolina	4WD	1984	221	300	11.12-08.16	■	
S3 quattro (CJXG)	Rim 17, PR 1KJ, PR 1KY, PR 2ED, discØ 300, discØ 310	Gasolina	4WD	1984	228	310	06.16-12.17	■	
S3 quattro (DJHA)	Rim 17, PR 1KJ, PR 1KY, PR 2ED, discØ 300, discØ 310	Gasolina	4WD	1984	228	310	06.16-12.17	■	
1.6 TDI (CLHA)	Rim 17, discØ 300, PR 2ED	Diesel	FWD	1598	77	105	10.12-05.15	■	
1.6 TDI (CRKB)	Rim 17, PR 1KJ, PR 1KY, PR 2ED, discØ 300	Diesel	FWD	1598	81	110	09.13-12.17	■	
1.6 TDI (CXXB)	Rim 17, PR 1KJ, PR 1KY, PR 2ED, discØ 300	Diesel	FWD	1598	81	110	09.13-12.17	■	

# LISTA DE APLICACIONES - BUYERS GUIDE

1.6 TDI (DBKA)	Rim 17, PR 1KJ, PR 1KY, PR 2ED, discØ 300	Diesel	FWD	1598	81	110	09.13-12.17	■	
1.6 TDI (DDYA)	discØ 300, PR 2ED	Diesel	FWD	1598	85	115	02.17-10.20	■	
2.0 TDI (CRFA)	Rim 17, PR 1KJ, PR 1KY, PR 2ED, discØ 300	Diesel	FWD	1968	81	110	01.13-08.16	■	
2.0 TDI (CRBD)	Rim 17, PR 1KJ, PR 1KY, PR 2ED, discØ 300	Diesel	FWD	1968	100	136	05.13-08.16	■	
2.0 TDI (CRLC)	Rim 17, PR 1KJ, PR 1KY, PR 2ED, discØ 300	Diesel	FWD	1968	100	136	05.13-08.16	■	
2.0 TDI (CRFC)	Rim 17, PR 1KJ, PR 1KY, PR 2ED, discØ 300	Diesel	FWD	1968	105	143	09.12-10.20	■	
2.0 TDI (CRBC)	Rim 17, PR 1KJ, PR 1KY, PR 2ED, discØ 300	Diesel	FWD	1968	110	150	04.12-12.17	■	
2.0 TDI (CRLB)	Rim 17, PR 1KJ, PR 1KY, PR 2ED, discØ 300	Diesel	FWD	1968	110	150	04.12-12.17	■	
2.0 TDI (CRUA)	Rim 17, PR 1KJ, PR 1KY, PR 2ED, discØ 300	Diesel	FWD	1968	110	150	04.12-12.17	■	
2.0 TDI (DBGA)	Rim 17, PR 1KJ, PR 1KY, PR 2ED, discØ 300	Diesel	FWD	1968	110	150	04.12-12.17	■	
2.0 TDI (DCYA)	Rim 17, PR 1KJ, PR 1KY, PR 2ED, discØ 300	Diesel	FWD	1968	110	150	04.12-12.17	■	
2.0 TDI (DEJA)	Rim 17, PR 1KJ, PR 1KY, PR 2ED, discØ 300	Diesel	FWD	1968	110	150	04.12-12.17	■	
2.0 TDI quattro (CRBC)	Rim 17, PR 1KJ, PR 1KY, PR 2ED	Diesel	4WD	1968	110	150	10.12-12.17	■	
2.0 TDI quattro (CRLB)	Rim 17, PR 1KJ, PR 1KY, PR 2ED	Diesel	4WD	1968	110	150	10.12-12.17	■	
2.0 TDI quattro (DCYA)	Rim 17, PR 1KJ, PR 1KY, PR 2ED	Diesel	4WD	1968	110	150	10.12-12.17	■	
2.0 TDI (CUNA)	Rim 17, PR 1KJ, PR 1KY, PR 2ED, discØ 300	Diesel	FWD	1968	135	184	05.13-12.17	■	
2.0 TDI quattro (CUNA)	Rim 17, PR 1KJ, PR 1KY, PR 2ED	Diesel	4WD	1968	135	184	12.12-12.17	■	
2.0 TDI quattro (DGCA)	Rim 17, PR 1KJ, PR 1KY, PR 2ED	Diesel	4WD	1968	135	184	12.12-12.17	■	
<b>A3 III (8VS, 8VM) 05.13-</b>							<b>Saloon (Compact executive car-D Segment)</b>		
1.0 TFSI (CHZD)	Rim 17, PR 1KJ, PR 1KY, PR 2ED, discØ 300, discØ 310	Gasolina	FWD	999	85	115	07.16-10.20	■	
30 TFSI (DKRF)	discØ 300, PR 2ED	Gasolina	FWD	999	85	115	07.18-10.20	■	
1.2 TFSI (CJZA)	Rim 17, PR 1KJ, PR 1KY, PR 2ED, not elec.brak.detent, discØ 300	Gasolina	FWD	1197	77	105	10.13-05.15	■	
1.2 TFSI (CYVB)	PR 1KJ, PR 1KY, PR 2ED, discØ 300	Gasolina	FWD	1197	81	110	05.14-08.16	■	
1.4 TFSI (CXSA)	Rim 17, PR 1KJ, PR 1KY, PR 2ED, not elec.brak.detent, discØ 300	Gasolina	FWD	1395	90	122	09.13-10.20	■	
1.4 TFSI (CXSB)	Rim 17, PR 1KJ, PR 1KY, PR 2ED, not elec.brak.detent, discØ 300	Gasolina	FWD	1395	92	125	09.13-08.16	■	
1.4 TFSI (CZCA)	Rim 17, PR 1KJ, PR 1KY, PR 2ED, not elec.brak.detent, discØ 300	Gasolina	FWD	1395	92	125	09.13-08.16	■	
1.4 TFSI (CPTA)	Rim 17, PR 1KJ, PR 1KY, PR 2ED, not elec.brak.detent, discØ 300	Gasolina	FWD	1395	103	140	05.13-08.16	■	
1.4 TSI (CZEA)	PR 1KJ, PR 1KY, PR 2ED, not elec.brak.detent, discØ 300	Gasolina	FWD	1395	110	150	05.14-10.20	■	
1.5 TFSI (DADA)	discØ 300, PR 2ED	Gasolina	FWD	1498	110	150	05.17-10.18	■	
35 TFSI (DADA)	discØ 300, PR 2ED	Gasolina	FWD	1498	110	150	10.18-10.20	■	
35 TFSI (DPCA)	discØ 300, PR 2ED	Gasolina	FWD	1498	110	150	10.18-10.20	■	
1.8 TFSI (CNSB)	Rim 17, PR 1KJ, PR 1KY, PR 2ED, not elec.brak.detent, discØ 300	Gasolina	FWD	1798	125	170	11.13-10.20	■	
1.8 TFSI (CJSA)	Rim 17, PR 1KJ, PR 1KY, PR 2ED, discØ 300	Gasolina	FWD	1798	132	180	05.13-08.16	■	
1.8 TFSI (CJSB)	Rim 17, PR 1KJ, PR 1KY, PR 2ED, discØ 300	Gasolina	FWD	1798	132	180	05.13-08.16	■	

# LISTA DE APLICACIONES - BUYERS GUIDE

1.8 TFSI quattro (CJSB)	Rim 17, PR 1KJ, PR 1KY, PR 2ED, not elec.brak.detent	Gasolina	4WD	1798	132	180	11.13-08.16	■
2.0 TFSI (CZPB)	Rim 17, PR 1KJ, PR 1KY, PR 2ED, discØ 300, discØ 310	Gasolina	FWD	1984	140	190	05.16-10.20	■
2.0 TFSI (DKZA)	Rim 17, PR 1KJ, PR 1KY, PR 2ED, discØ 300, discØ 310	Gasolina	FWD	1984	140	190	05.16-10.20	■
2.0 TFSI quattro (CZPB)	Rim 17, PR 1KJ, PR 1KY, PR 2ED, discØ 300, discØ 310	Gasolina	4WD	1984	140	190	05.16-10.20	■
2.0 TFSI quattro (DKZA)	Rim 17, PR 1KJ, PR 1KY, PR 2ED, discØ 300, discØ 310	Gasolina	4WD	1984	140	190	05.16-10.20	■
40 TFSI (DKZA)	discØ 300, PR 2ED	Gasolina	FWD	1984	140	190	07.18-10.20	■
40 TFSI quattro (DKZA)	PR 1KJ, PR 1KY, PR 1KZ, PR 2ED, elec.brake detention	Gasolina	4WD	1984	140	190	07.18-10.20	■
2.0 TFSI (CHHB)	discØ 300, PR 2ED	Gasolina	FWD	1984	162	220	11.15-10.20	■
2.0 TFSI (CNTC)	discØ 300, PR 2ED	Gasolina	FWD	1984	162	220	11.15-10.20	■
S3 quattro (CJXB)	Rim 17, PR 1KJ, PR 1KY, PR 2ED, not elec.brak.detent	Gasolina	4WD	1984	206	280	10.13-05.14	■
S3 quattro (CJXF)	PR 1KJ, PR 1KY, PR 2ED, not elec.brak.detent	Gasolina	4WD	1984	210	286	05.14-08.16	■
S3 quattro (CJXD)	PR 1KJ, PR 1KY, PR 2ED, not elec.brak.detent	Gasolina	4WD	1984	213	290	08.16-10.20	■
S3 quattro (DJHB)	PR 1KJ, PR 1KY, PR 2ED, not elec.brak.detent	Gasolina	4WD	1984	213	290	08.16-10.20	■
S3 quattro (CYFB)	Rim 17, PR 1KJ, PR 1KY, PR 2ED, discØ 300, discØ 310	Gasolina	4WD	1984	215	292	05.14-10.20	■
S3 quattro (CJXC)	Rim 17, PR 1KJ, PR 1KY, PR 2ED, not elec.brak.detent, discØ 310	Gasolina	4WD	1984	221	300	10.13-10.20	■
S3 quattro (DNUE)	Rim 17, PR 1KJ, PR 1KY, PR 2ED, not elec.brak.detent, discØ 310	Gasolina	4WD	1984	221	300	10.13-10.20	■
S3 quattro (CJXG)	Rim 17, PR 1KJ, PR 1KY, PR 2ED, discØ 300, discØ 310	Gasolina	4WD	1984	228	310	06.16-10.20	■
S3 quattro (DJHA)	Rim 17, PR 1KJ, PR 1KY, PR 2ED, discØ 300, discØ 310	Gasolina	4WD	1984	228	310	06.16-10.20	■
RS3 quattro (DAZA)	PR 1KJ, PR 1KY, PR 1KZ, PR 2ED	Gasolina	4WD	2480	294	400	04.17-10.20	■
RS3 quattro (DNWA)	PR 1KJ, PR 1KY, PR 1KZ, PR 2ED	Gasolina	4WD	2480	294	400	04.17-10.20	■
1.6 TDI (CLHA)	Rim 17, PR 1KJ, PR 1KY, PR 2ED, not elec.brak.detent, discØ 300	Diesel	FWD	1598	77	105	09.13-05.15	■
1.6 TDI (CRKB)	PR 1KJ, PR 1KY, PR 2ED, not elec.brak.detent, discØ 300	Diesel	FWD	1598	81	110	05.14-10.20	■
1.6 TDI (CXXB)	PR 1KJ, PR 1KY, PR 2ED, not elec.brak.detent, discØ 300	Diesel	FWD	1598	81	110	05.14-10.20	■
1.6 TDI (DBKA)	PR 1KJ, PR 1KY, PR 2ED, not elec.brak.detent, discØ 300	Diesel	FWD	1598	81	110	05.14-10.20	■
1.6 TDI quattro (CXXB)	Rim 17, PR 1KJ, PR 1KY, PR 2ED, not elec.brak.detent	Diesel	4WD	1598	81	110	05.15-08.16	■
1.6 TDI (DDYA)	discØ 300, PR 2ED	Diesel	FWD	1598	85	115	03.17-10.20	■
30 TDI (DGTE)	discØ 300, PR 2ED	Diesel	FWD	1598	85	115	07.18-10.20	■
2.0 TDI (CRFA)	Rim 17, PR 1KJ, PR 1KY, PR 2ED, not elec.brak.detent, discØ 300	Diesel	FWD	1968	81	110	05.13-10.20	■
2.0 TDI (DEJB)	Rim 17, PR 1KJ, PR 1KY, PR 2ED, not elec.brak.detent, discØ 300	Diesel	FWD	1968	81	110	05.13-10.20	■
2.0 TDI (CRBD)	Rim 17, PR 1KJ, PR 1KY, PR 2ED, not elec.brak.detent, discØ 300	Diesel	FWD	1968	100	136	09.13-08.16	■
2.0 TDI (CRLC)	Rim 17, PR 1KJ, PR 1KY, PR 2ED, not elec.brak.detent, discØ 300	Diesel	FWD	1968	100	136	09.13-08.16	■
2.0 TDI (CRFC)	Rim 17, PR 1KJ, PR 1KY, PR 2ED, not elec.brak.detent, discØ 300	Diesel	FWD	1968	105	143	10.13-10.20	■
2.0 TDI (CRBC)	Rim 17, PR 1KJ, PR 1KY, PR 2ED, not elec.brak.detent, discØ 300	Diesel	FWD	1968	110	150	05.13-10.20	■

# LISTA DE APLICACIONES - BUYERS GUIDE

2.0 TDI (CRLB)	Rim 17, PR 1KJ, PR 1KY, PR 2ED, not elec.brak.detent, discØ 300	Diesel	FWD	1968	110	150	05.13-10.20	■	
2.0 TDI (CRUA)	Rim 17, PR 1KJ, PR 1KY, PR 2ED, not elec.brak.detent, discØ 300	Diesel	FWD	1968	110	150	05.13-10.20	■	
2.0 TDI (DBGA)	Rim 17, PR 1KJ, PR 1KY, PR 2ED, not elec.brak.detent, discØ 300	Diesel	FWD	1968	110	150	05.13-10.20	■	
2.0 TDI (DCYA)	Rim 17, PR 1KJ, PR 1KY, PR 2ED, not elec.brak.detent, discØ 300	Diesel	FWD	1968	110	150	05.13-10.20	■	
2.0 TDI (DEJA)	Rim 17, PR 1KJ, PR 1KY, PR 2ED, not elec.brak.detent, discØ 300	Diesel	FWD	1968	110	150	05.13-10.20	■	
2.0 TDI (DFGA)	Rim 17, PR 1KJ, PR 1KY, PR 2ED, not elec.brak.detent, discØ 300	Diesel	FWD	1968	110	150	05.13-10.20	■	
2.0 TDI quattro (CRBC)	Rim 17, PR 1KJ, PR 1KY, PR 2ED, not elec.brak.detent	Diesel	4WD	1968	110	150	10.13-10.20	■	
2.0 TDI quattro (CRLB)	Rim 17, PR 1KJ, PR 1KY, PR 2ED, not elec.brak.detent	Diesel	4WD	1968	110	150	10.13-10.20	■	
2.0 TDI quattro (DCYA)	Rim 17, PR 1KJ, PR 1KY, PR 2ED, not elec.brak.detent	Diesel	4WD	1968	110	150	10.13-10.20	■	
35 TDI (DFGA)	discØ 300, PR 2ED	Diesel	FWD	1968	110	150	07.18-10.20	■	
2.0 TDI (CUNA)	PR 1KJ, PR 1KY, PR 2ED, not elec.brak.detent, discØ 300	Diesel	FWD	1968	135	184	05.14-07.18	■	
2.0 TDI quattro (CUNA)	PR 1KJ, PR 1KY, PR 2ED, not elec.brak.detent	Diesel	4WD	1968	135	184	05.14-07.18	■	
2.0 TDI quattro (DGCA)	PR 1KJ, PR 1KY, PR 2ED, not elec.brak.detent	Diesel	4WD	1968	135	184	05.14-07.18	■	
40 TDI quattro (DJGA)	PR 1KJ, PR 1KY, PR 1KZ, PR 2ED, elec.brake detention	Diesel	4WD	1968	135	184	07.18-07.19	■	
<b>A3 III Sportback (8VA, 8VF) 09.12-</b>							<b>Hatchback (Compact executive car-D Segment)</b>		
1.0 TFSI (CHZD)	Rim 17, PR 1KJ, PR 1KY, PR 2ED, discØ 300, discØ 310	Gasolina	FWD	999	85	115	07.16-10.20	■	
1.0 TFSI (DKRF)	Rim 17, PR 1KJ, PR 1KY, PR 2ED, discØ 300, discØ 310	Gasolina	FWD	999	85	115	07.16-10.20	■	
30 TFSI (DKRF)	discØ 300, PR 2ED	Gasolina	FWD	999	85	116	07.18-10.20	■	
1.2 TFSI (CJZA)	Rim 17, PR 1KJ, PR 1KY, PR 2ED, discØ 300	Gasolina	FWD	1197	77	105	05.13-05.15	■	
1.2 TFSI (CYVB)	PR 1KJ, PR 1KY, PR 2ED, not elec.brak.detent, discØ 300	Gasolina	FWD	1197	81	110	05.14-08.16	■	
1.4 TFSI (CMBA)	Rim 17, PR 1KJ, PR 1KY, PR 2ED, not elec.brak.detent, discØ 300	Gasolina	FWD	1395	90	122	09.12-10.20	■	
1.4 TFSI (CXSA)	Rim 17, PR 1KJ, PR 1KY, PR 2ED, not elec.brak.detent, discØ 300	Gasolina	FWD	1395	90	122	09.12-10.20	■	
1.4 TFSI (CXSB)	PR 1KJ, PR 1KY, PR 2ED, not elec.brak.detent, discØ 300	Gasolina	FWD	1395	92	125	05.14-08.16	■	
1.4 TFSI (CZCA)	PR 1KJ, PR 1KY, PR 2ED, not elec.brak.detent, discØ 300	Gasolina	FWD	1395	92	125	05.14-08.16	■	
1.4 TFSI (CPTA)	Rim 17, PR 1KJ, PR 1KY, PR 2ED, not elec.brak.detent, discØ 300	Gasolina	FWD	1395	103	140	03.13-11.14	■	
1.4 TSI (CZEA)	PR 1KJ, PR 1KY, PR 2ED, not elec.brak.detent, discØ 300	Gasolina	FWD	1395	110	150	05.14-10.20	■	
1.5 TFSI (DADA)	discØ 300, PR 2ED	Gasolina	FWD	1498	110	150	05.17-10.18	■	
35 TFSI (DADA)	discØ 300, PR 2ED	Gasolina	FWD	1498	110	150	10.18-10.20	■	
35 TFSI (DPCA)	discØ 300, PR 2ED	Gasolina	FWD	1498	110	150	10.18-10.20	■	
1.8 TFSI (CJSA)	Rim 17, PR 1KJ, PR 1KY, PR 2ED, not elec.brak.detent, discØ 300	Gasolina	FWD	1798	132	180	09.12-08.16	■	
1.8 TFSI (CJSB)	Rim 17, PR 1KJ, PR 1KY, PR 2ED, not elec.brak.detent, discØ 300	Gasolina	FWD	1798	132	180	09.12-08.16	■	
1.8 TFSI quattro (CJSB)	Rim 17, PR 1KJ, PR 1KY, PR 2ED, not elec.brak.detent	Gasolina	4WD	1798	132	180	05.13-08.16	■	

# LISTA DE APLICACIONES - BUYERS GUIDE

2.0 TFSI (CZPB)	Rim 17, PR 1KJ, PR 1KY, PR 2ED, discØ 300, discØ 310	Gasolina	FWD	1984	140	190	05.16-10.20	■
2.0 TFSI (DKZA)	Rim 17, PR 1KJ, PR 1KY, PR 2ED, discØ 300, discØ 310	Gasolina	FWD	1984	140	190	05.16-10.20	■
2.0 TFSI quattro (CZPB)	Rim 17, PR 1KJ, PR 1KY, PR 2ED, discØ 300, discØ 310	Gasolina	4WD	1984	140	190	05.16-10.20	■
2.0 TFSI quattro (DKZA)	Rim 17, PR 1KJ, PR 1KY, PR 2ED, discØ 300, discØ 310	Gasolina	4WD	1984	140	190	05.16-10.20	■
40 TFSI (DKZA)	discØ 300, PR 2ED	Gasolina	FWD	1984	140	190	07.18-10.20	■
40 TFSI quattro (DKZA)	PR 1KJ, PR 1KY, PR 1KZ, PR 2ED, elec.brake detent	Gasolina	4WD	1984	140	190	07.18-10.20	■
2.0 45 TFSI	Rim 17, PR 1KJ, PR 1KY, PR 2ED, discØ 300, discØ 310	Gasolina	FWD	1984	162	220	02.15-08.16	■
S3 quattro (CJXB)	Rim 17, PR 1KJ, PR 1KY, PR 2ED, not elec.brak.detent	Gasolina	4WD	1984	206	280	05.13-08.16	■
S3 quattro (CJXF)	PR 1KJ, PR 1KY, PR 2ED, not elec.brak.detent	Gasolina	4WD	1984	210	286	05.14-08.16	■
S3 quattro (CJXD)	Rim 17, PR 1KJ, PR 1KY	Gasolina	4WD	1984	213	290	07.16-10.20	■
S3 quattro (DJHB)	Rim 17, PR 1KJ, PR 1KY	Gasolina	4WD	1984	213	290	07.16-10.20	■
S3 quattro (CJXC)	Rim 17, PR 1KJ, PR 1KY, PR 2ED, not elec.brak.detent, discØ 310	Gasolina	4WD	1984	221	300	11.12-10.20	■
S3 quattro (DNUE)	Rim 17, PR 1KJ, PR 1KY, PR 2ED, not elec.brak.detent, discØ 310	Gasolina	4WD	1984	221	300	11.12-10.20	■
S3 quattro (CJXG)	Rim 17, PR 1KJ, PR 1KY, PR 2ED, discØ 300, discØ 310	Gasolina	4WD	1984	228	310	06.16-10.20	■
S3 quattro (DJHA)	Rim 17, PR 1KJ, PR 1KY, PR 2ED, discØ 300, discØ 310	Gasolina	4WD	1984	228	310	06.16-10.20	■
1.4 TFSI g-tron (CPWA)	Rim 17, PR 1KJ, PR 1KY, PR 2ED, not elec.brak.detent, discØ 300	Gasol./Gas (CNG)	FWD	1395	81	110	11.13-10.20	■
30 g-tron (DHFA)		Gasol./Gas (CNG)	FWD	1498	96	131	11.18-10.20	■
1.4 TFSI e-tron (CUKB)	PR 1KJ, PR 1KY, PR 2ED, not elec.brak.detent, discØ 300	Gasol./eléc.	FWD	1395	110	150	05.14-10.20	■
1.4 TFSI e-tron (CXUA)	PR 1KJ, PR 1KY, PR 2ED, not elec.brak.detent, discØ 300	Gasol./eléc.	FWD	1395	110	150	05.14-10.20	■
1.4 TFSI e-tron (CXUA)		Gasol./eléc.	FWD	1395	150	204	05.14-10.20	■
40 e-tron		Gasol./eléc.	FWD	1395	150	204	07.18-10.20	■
1.6 TDI (CLHA)	Rim 17, PR 1KJ, PR 1KY, PR 2ED, not elec.brak.detent, discØ 300	Diesel	FWD	1598	77	105	10.12-12.16	■
1.6 TDI (CRKB)	Rim 17, PR 1KJ, PR 1KY, not elec.brak.detent, discØ 300	Diesel	FWD	1598	81	110	09.13-10.20	■
1.6 TDI (CXXB)	Rim 17, PR 1KJ, PR 1KY, not elec.brak.detent, discØ 300	Diesel	FWD	1598	81	110	09.13-10.20	■
1.6 TDI (DBKA)	Rim 17, PR 1KJ, PR 1KY, not elec.brak.detent, discØ 300	Diesel	FWD	1598	81	110	09.13-10.20	■
1.6 TDI quattro (CXXB)	Rim 17, PR 1KJ, PR 1KY, PR 2ED, not elec.brak.detent	Diesel	4WD	1598	81	110	05.15-08.16	■
1.6 TDI (DDYA)	discØ 300, PR 2ED	Diesel	FWD	1598	85	115	02.17-10.20	■
30 TDI (DGTE)	discØ 300, PR 2ED	Diesel	FWD	1598	85	115	07.18-10.20	■
2.0 TDI (CRFA)	Rim 17, PR 1KJ, PR 1KY, PR 2ED, not elec.brak.detent, discØ 300	Diesel	FWD	1968	81	110	05.13-10.20	■
2.0 TDI (DEJB)	Rim 17, PR 1KJ, PR 1KY, PR 2ED, not elec.brak.detent, discØ 300	Diesel	FWD	1968	81	110	05.13-10.20	■
2.0 TDI (CRBD)	Rim 17, PR 1KJ, PR 1KY, PR 2ED, not elec.brak.detent, discØ 300	Diesel	FWD	1968	100	136	05.13-08.16	■
2.0 TDI (CRLC)	Rim 17, PR 1KJ, PR 1KY, PR 2ED, not elec.brak.detent, discØ 300	Diesel	FWD	1968	100	136	05.13-08.16	■
2.0 TDI (CRFC)	Rim 17, PR 1KJ, PR 1KY, PR 2ED, not elec.brak.detent, discØ 300	Diesel	FWD	1968	105	143	03.13-10.20	■

# LISTA DE APLICACIONES - BUYERS GUIDE

2.0 TDI (CRBC)	Rim 17, PR 1KJ, PR 1KY, PR 2ED, not elec.brak.detent, discØ 300	Diesel	FWD	1968	110	150	09.12-10.20	■	
2.0 TDI (CRLB)	Rim 17, PR 1KJ, PR 1KY, PR 2ED, not elec.brak.detent, discØ 300	Diesel	FWD	1968	110	150	09.12-10.20	■	
2.0 TDI (CRUA)	Rim 17, PR 1KJ, PR 1KY, PR 2ED, not elec.brak.detent, discØ 300	Diesel	FWD	1968	110	150	09.12-10.20	■	
2.0 TDI (DBGA)	Rim 17, PR 1KJ, PR 1KY, PR 2ED, not elec.brak.detent, discØ 300	Diesel	FWD	1968	110	150	09.12-10.20	■	
2.0 TDI (DCYA)	Rim 17, PR 1KJ, PR 1KY, PR 2ED, not elec.brak.detent, discØ 300	Diesel	FWD	1968	110	150	09.12-10.20	■	
2.0 TDI (DEJA)	Rim 17, PR 1KJ, PR 1KY, PR 2ED, not elec.brak.detent, discØ 300	Diesel	FWD	1968	110	150	09.12-10.20	■	
2.0 TDI (DFGA)	Rim 17, PR 1KJ, PR 1KY, PR 2ED, not elec.brak.detent, discØ 300	Diesel	FWD	1968	110	150	09.12-10.20	■	
2.0 TDI quattro (CRBC)	Rim 17, PR 1KJ, PR 1KY, PR 2ED, not elec.brak.detent	Diesel	4WD	1968	110	150	02.13-10.20	■	
2.0 TDI quattro (CRLB)	Rim 17, PR 1KJ, PR 1KY, PR 2ED, not elec.brak.detent	Diesel	4WD	1968	110	150	02.13-10.20	■	
2.0 TDI quattro (DCYA)	Rim 17, PR 1KJ, PR 1KY, PR 2ED, not elec.brak.detent	Diesel	4WD	1968	110	150	02.13-10.20	■	
35 TDI (DFGA)	discØ 300, PR 2ED	Diesel	FWD	1968	110	150	07.18-10.20	■	
2.0 TDI (CUNA)	Rim 17, PR 1KJ, PR 1KY, PR 2ED, not elec.brak.detent, discØ 300	Diesel	FWD	1968	135	184	05.13-07.18	■	
2.0 TDI quattro (CUNA)	Rim 17, PR 1KJ, PR 1KY, PR 2ED, not elec.brak.detent	Diesel	4WD	1968	135	184	05.13-07.18	■	
2.0 TDI quattro (DGCA)	Rim 17, PR 1KJ, PR 1KY, PR 2ED, not elec.brak.detent	Diesel	4WD	1968	135	184	05.13-07.18	■	
40 TDI quattro (DJGA)	PR 1KJ, PR 1KY, PR 1KZ, PR 2ED, elec.brake detention	Diesel	4WD	1968	135	184	07.18-10.20	■	
<b>A3 IV Sportback (8YA, 8YF) 11.19-</b>						<b>Hatchback (Compact executive car-D Segment)</b>			
30 g-tron (DHFA)	PR 1KJ, PR 1KY, PR 1KZ, PR 2ED	Gasol./Gas (CNG)	FWD	1498	96	131	07.20-	■	
<b>Q2 (GAB, GAG) 06.16-</b>						<b>SUV (Compact SUV-J Segment)</b>			
30 TFSI	PR 1KJ, PR 1KY, PR 2ES, PR 2ET, PR 2EY, PR 2EZ	Gasolina	FWD	999	81	110	08.20-	■	
1.0 TFSI (CHZJ)	PR 1KJ, PR 1KY, PR 2ES, PR 2ET, PR 2EY, PR 2EZ	Gasolina	FWD	999	85	115	10.16-10.20	■	
30 TFSI (DKRF)	PR 1KJ, PR 1KY, PR 2ES, PR 2ET, PR 2EY, PR 2EZ	Gasolina	FWD	999	85	116	07.18-	■	
1.4 TFSI (CZEA)	PR 1KJ, PR 1KY, PR 2ES, PR 2ET, PR 2EY, PR 2EZ	Gasolina	FWD	1395	110	150	06.16-	■	
35 TFSI (DADA)	PR 1KJ, PR 1KY, PR 2ES, PR 2ET, PR 2EY, PR 2EZ	Gasolina	FWD	1498	110	150	07.18-	■	
35 TFSI (DPCA)	PR 1KJ, PR 1KY, PR 2ES, PR 2ET, PR 2EY, PR 2EZ	Gasolina	FWD	1498	110	150	07.18-	■	
2.0 TFSI quattro (CZPB)	PR 1KJ, PR 1KY, PR 2ES, PR 2ET, PR 2EY, PR 2EZ	Gasolina	4WD	1984	140	190	05.17-	■	
2.0 TFSI quattro (DKZA)	PR 1KJ, PR 1KY, PR 2ES, PR 2ET, PR 2EY, PR 2EZ	Gasolina	4WD	1984	140	190	05.17-	■	
40 TFSI quattro (DKZA)	PR 1KJ, PR 1KY, PR 2ES, PR 2ET, PR 2EY, PR 2EZ	Gasolina	4WD	1984	140	190	09.18-	■	
SQ2 TFSI quattro (DNUE)	discØ 310, PR 1ES, PR 1ET, PR 1KJ, PR 1KY	Gasolina	4WD	1984	221	300	08.18-	■	
1.6 TDI (DDYA)	PR 1KJ, PR 1KY, PR 2ES, PR 2ET, PR 2EY, PR 2EZ	Diesel	FWD	1598	85	115	06.16-07.18	■	
30 TDI (DGTE)	PR 1KJ, PR 1KY, PR 2ES, PR 2ET, PR 2EY, PR 2EZ	Diesel	FWD	1598	85	115	07.18-10.20	■	
30 TDI	PR 1KJ, PR 1KY, PR 2ES, PR 2ET, PR 2EY, PR 2EZ	Diesel	FWD	1968	85	116	02.21-	■	
2.0 TDI (DFGA)	PR 1KJ, PR 1KY, PR 2ES, PR 2ET, PR 2EY, PR 2EZ	Diesel	FWD	1968	110	150	09.16-	■	

# LISTA DE APLICACIONES - BUYERS GUIDE

2.0 TDI quattro (DFGA)	PR 1KJ, PR 1KY, PR 2ES, PR 2ET, PR 2EY, PR 2EZ	Diesel	4WD	1968	110	150	09.16-	■	
35 TDI (DFGA)	PR 1KJ, PR 1KY, PR 2ES, PR 2ET, PR 2EY, PR 2EZ	Diesel	FWD	1968	110	150	09.16-	■	
35 TDI quattro (DFGA)	PR 1KJ, PR 1KY, PR 2ES, PR 2ET, PR 2EY, PR 2EZ	Diesel	4WD	1968	110	150	01.19-	■	
2.0 TDI quattro (DFHA)	PR 1KJ, PR 1KY, PR 2ES, PR 2ET, PR 2EY, PR 2EZ	Diesel	4WD	1968	140	190	07.16-08.18	■	
<b>Q3 II (F3B) 07.18-</b>					<b>SUV (Compact Crossover CUV-C Segment)</b>				
35 TFSI (CZDA)	PR 1KU, PR 1KZ, PR 2EM, PR 2ER, PR 2ET, PR 2EY, PR 2EV	Gasolina	FWD	1395	110	150	11.18-	■	
35 TFSI (DADA)	PR 1KU, PR 2EI, discØ 300   PR 1KZ, discØ 310	Gasolina	FWD	1498	110	150	08.18-	■	
35 TFSI (DPCA)	PR 1KU, PR 2EI, discØ 300   PR 1KZ, discØ 310	Gasolina	FWD	1498	110	150	08.18-	■	
40 TFSI quattro (DKTC)	discØ 300, PR 2EI   discØ 310, PR 1KZ, PR 2ER, PR 2ET, PR 2EV, PR 2EY	Gasolina	4WD	1984	140	190	07.18-06.21	■	
45 TFSI	PR 1KU, discØ 300, PR 1KZ, discØ 310	Gasolina	FWD	1984	169	230	07.18-	■	
45 TFSI quattro (DKTA)	PR 1KU, discØ 300, PR 1KZ, PR 2EV, PR 2EY, discØ 310, PR 2ER, PR 2ET	Gasolina	4WD	1984	169	230	07.18-	■	
45 TFSI quattro	PR 1KU, discØ 300, PR 1KZ, PR 2ET, discØ 310	Gasolina	4WD	1984	180	245	01.21-	■	
45 TFSIle	discØ 300, PR 1KU, PR 2EI, PR 2EM	Gasol./el éc.	FWD	1395	180	245	11.20-	■	
35 TFSI Mild Hybrid (DFYA)	PR 1KU, PR 2EI, discØ 300, PR 1KZ, discØ 310	Gasol./el éc.	FWD	1498	110	150	11.19-	■	
35 TDI (DFGA)	PR 1KU, PR 2EI, discØ 300, PR 1KZ, discØ 310	Diesel	FWD	1968	110	150	09.18-	■	
35 TDI quattro (DFGA)	PR 1KU, PR 2EI, discØ 300, PR 1KZ, discØ 310	Diesel	4WD	1968	110	150	09.18-	■	
40 TDI	PR 1KU, discØ 300, PR 1KZ, discØ 310	Diesel	FWD	1968	140	190	09.18-	■	
40 TDI quattro (DFHA)	PR 1KU, PR 2EI, discØ 300, PR 1KZ, PR 2EV, PR 2EY, discØ 310, PR 2ER, PR 2ET	Diesel	4WD	1968	140	190	10.18-	■	
40 TDI quattro		Diesel	4WD	1968	142	193	04.24-	■	
40 TDI quattro	discØ 310, PR 1KZ, PR 2ER, PR 2ET, PR 2EV, PR 2EY	Diesel	4WD	1968	147	200	11.20-	■	
<b>Q3 II Sportback (F3N) 06.19-</b>					<b>SUV (Compact Crossover CUV-C Segment)</b>				
35 TFSI (CZDA)	PR 1KU, PR 1KZ, PR 2EM, PR 2ER, PR 2ET, PR 2EY, PR 2EV	Gasolina	FWD	1395	110	150	10.19-	■	
35 TFSI (DPCA)	PR 1KU, PR 2EI, discØ 300, PR 1KZ, discØ 310	Gasolina	FWD	1498	110	150	09.19-	■	
40 TFSI quattro (DKTC)	discØ 300, PR 2EI   discØ 310, PR 1KZ, PR 2ER, PR 2ET, PR 2EV, PR 2EY	Gasolina	4WD	1984	140	190	11.19-06.21	■	
45 TFSI quattro (DKTA)	PR 1KU, discØ 300, PR 1KZ, PR 2ER, PR 2ET, discØ 310, PR 2EV, PR 2EY	Gasolina	4WD	1984	169	230	06.19-	■	
45 TFSI quattro	PR 1KU, discØ 300, PR 1KZ, PR 2ET, discØ 310	Gasolina	4WD	1984	180	245	01.21-	■	
45 TFSIle	discØ 300, PR 1KU, PR 2EI, PR 2EM	Gasol./el éc.	FWD	1395	180	245	11.20-	■	
35 TFSI Mild Hybrid (DFYA)	PR 1KU, PR 2EI, discØ 300, PR 1KZ, discØ 310	Gasol./el éc.	FWD	1498	110	150	11.19-	■	
35 TDI (DFGA)	PR 1KU, PR 2EI, discØ 300, PR 1KZ, discØ 310	Diesel	FWD	1968	110	150	11.19-	■	
35 TDI quattro (DFGA)	PR 1KU, PR 2EI, discØ 300, PR 1KZ, discØ 310	Diesel	4WD	1968	110	150	09.19-	■	
40 TDI quattro (DFHA)	PR 1KU, PR 2EI, discØ 300, PR 1KZ, PR 2ER, PR 2ET, discØ 310, PR 2EV, PR 2EY	Diesel	4WD	1968	140	190	07.19-	■	
40 TDI quattro		Diesel	4WD	1968	142	193	04.24-	■	

# LISTA DE APLICACIONES - BUYERS GUIDE

40 TDI quattro (DTUA)	discØ 340, discØ 300, PR 1KU, PR 2EM   discØ 310, PR 1KZ, PR 2ER, PR 2ET, PR 2EV, PR 2EY	Diesel	4WD	1968	147	200	09.20-	■	
<b>TT III (FV9, FVR) 11.14-</b>					<b>Convertible (Sports car-S Segment)</b>				
1.8 TFSI (CJSA)	PR 2EG, PR 2EK, discØ 310, PR 2ED, discØ 300	Gasolina	FWD	1798	132	180	07.15-08.18	■	
1.8 TFSI (CJSB)	PR 2EG, PR 2EK, discØ 310, PR 2ED, discØ 300	Gasolina	FWD	1798	132	180	07.15-08.18	■	
40 TFSI (DKZB)	elec.brake detention, PR 1KV, PR 2ED, PR 2EF, PR 2EG, PR 2EK, PR 2EN, PR 2ER, PR 2ET, PR 2EP	Gasolina	FWD	1984	145	197	07.18-	■	
2.0 TFSI quattro (CNTC)	elec.brake detention, PR 1KV, PR 2ED, PR 2EF, PR 2EG, PR 2EK, PR 2EN, PR 2ER, PR 2ET, PR 2EP	Gasolina	4WD	1984	162	220	04.15-	■	
2.0 TFSI (CHHC)	PR 2EG, PR 2EK, discØ 310, PR 1KV, PR 2ED, PR 2EN, PR 2EP, discØ 300, Manual Trans.6-speed	Gasolina	FWD	1984	169	230	11.14-	■	
2.0 TFSI quattro (CHHC)	PR 2EG, PR 2EK, discØ 310, PR 2ED, discØ 300	Gasolina	4WD	1984	169	230	11.14-	■	
45 TFSI (DKTB)	discØ 300, PR 1KV, PR 2ED, PR 2EN, PR 2EP, Manual Trans.6-speed	Gasolina	FWD	1984	180	245	07.18-	■	
45 TFSI quattro (DKTB)		Gasolina	4WD	1984	180	245	07.18-	■	
2.0 TTS TFSI quattro (CJXF)	PR 2EG, PR 2EK, PR 2ES, PR 2ET, discØ 310, PR 2ED, discØ 300	Gasolina	4WD	1984	210	286	02.15-	■	
2.0 TFSI	PR 2EG, PR 2EK, discØ 310, PR 2ED, discØ 300	Gasolina	FWD	1984	215	292	07.15-	■	
2.0 TTS TFSI quattro (DNUF)	discØ 310, PR 2EF, PR 2EK, PR 2ER, PR 2ET, PR 2EG, PR 2ES	Gasolina	4WD	1984	225	306	08.18-	■	
2.0 TTS TFSI quattro (CJXG)	PR 2EG, PR 2EK, PR 2ES, PR 2ET, discØ 310, PR 2ED, discØ 300	Gasolina	4WD	1984	228	310	11.14-	■	
TTS TFSI quattro	discØ 310, PR 2EF, PR 2EK, PR 2ER, PR 2ET, PR 2EG, PR 2ES	Gasolina	4WD	1984	235	320	11.20-	■	
2.5 RS TFSI quattro (DAZA)	PR 2EG, PR 2EK, discØ 310, PR 2ED, discØ 300	Gasolina	4WD	2480	294	400	05.16-	■	
2.5 RS TFSI quattro (DNWA)	PR 2EG, PR 2EK, discØ 310, PR 2ED, discØ 300	Gasolina	4WD	2480	294	400	05.16-	■	
2.0 TDI (CUNA)	PR 2EG, PR 2EK, discØ 310, PR 2ED, discØ 300	Diesel	FWD	1968	135	184	11.14-	■	
2.0 TDI quattro (CUNA)	elec.brake detention, PR 1KV, PR 2ED, PR 2EF, PR 2EG, PR 2EK, PR 2EN, PR 2ER, PR 2ET, PR 2EP	Diesel	4WD	1968	135	184	01.17-	■	
<b>TT III (FV3, FVP) 07.14-</b>					<b>Coupe (Sports car-S Segment)</b>				
1.8 TFSI (CJSA)	PR 2EG, PR 2EK, discØ 310, PR 2ED, discØ 300	Gasolina	FWD	1798	132	180	07.15-08.18	■	
1.8 TFSI (CJSB)	PR 2EG, PR 2EK, discØ 310, PR 2ED, discØ 300	Gasolina	FWD	1798	132	180	07.15-08.18	■	
40 TFSI (DKZB)	elec.brake detention, PR 1KV, PR 2ED, PR 2EF, PR 2EG, PR 2EK, PR 2EN, PR 2ER, PR 2ET, PR 2EP	Gasolina	FWD	1984	145	197	07.18-	■	
2.0 TFSI quattro (CNTC)	elec.brake detention, PR 1KV, PR 2ED, PR 2EF, PR 2EG, PR 2EK, PR 2EN, PR 2ER, PR 2ET, PR 2EP	Gasolina	4WD	1984	162	220	04.15-	■	
2.0 TFSI (CHHC)	PR 2EG, PR 2EK, discØ 310   PR 1KV, PR 2ED, PR 2EN, PR 2EP, discØ 300, Manual Trans.6-speed	Gasolina	FWD	1984	169	230	07.14-	■	
2.0 TFSI quattro (CHHC)	PR 2EG, PR 2EK, discØ 310, PR 2ED, discØ 300	Gasolina	4WD	1984	169	230	07.14-	■	
45 TFSI (DKTB)	discØ 300, PR 1KV, PR 2ED, PR 2EN, PR 2EP, Manual Trans.6-speed	Gasolina	FWD	1984	180	245	07.18-	■	

# LISTA DE APLICACIONES - BUYERS GUIDE

45 TFSI quattro (DKTB)		Gasolina	4WD	1984	180	245	07.18-	■
2.0 TTS TFSI quattro (CJXF)	PR 2EG, PR 2EK, PR 2ES, PR 2ET, discØ 310, PR 2ED, discØ 300	Gasolina	4WD	1984	210	286	02.15-	■
2.0 TTS TFSI quattro (CYFB)	PR 2EG, PR 2EK, PR 2ES, PR 2ET, discØ 310, PR 2ED, discØ 300	Gasolina	4WD	1984	215	292	07.15-	■
2.0 TTS TSI quattro (DNUF)	discØ 310, PR 2EF, PR 2EK, PR 2ER, PR 2ET, PR 2EG, PR 2ES	Gasolina	4WD	1984	225	306	08.18-	■
2.0 TTS quattro (CJXG)	PR 2EG, PR 2EK, PR 2ES, PR 2ET, discØ 310, PR 2ED, discØ 300	Gasolina	4WD	1984	228	310	11.14-	■
TTS TFSI quattro	discØ 310, PR 2EF, PR 2EK, PR 2ER, PR 2ET, PR 2EG, PR 2ES	Gasolina	4WD	1984	235	320	01.21-	■
2.5 RS TFSI quattro (DAZA)	PR 2EG, PR 2EK, discØ 310, PR 2ED, discØ 300	Gasolina	4WD	2480	294	400	05.16-	■
2.5 RS TFSI quattro (DNWA)	PR 2EG, PR 2EK, discØ 310, PR 2ED, discØ 300	Gasolina	4WD	2480	294	400	05.16-	■
2.0 TDI (CUNA)	PR 2EG, PR 2EK, discØ 310, PR 2ED, discØ 300	Diesel	FWD	1968	135	184	07.14-	■
2.0 TDI quattro (CUNA)	elec.brake detention, PR 1KV, PR 2ED, PR 2EF, PR 2EG, PR 2EK, PR 2EN, PR 2ER, PR 2ET, PR 2EP	Diesel	4WD	1968	135	184	01.17-	■

## AUDI (FAW)

<b>Q3 (G2B, G2G) 04.19-</b>				<b>SUV (Compact Crossover CUV-C Segment)</b>				
35 TFSI		Gasolina	FWD	1395	110	150	04.19-	■
40 TFSI		Gasolina	FWD	1984	137	186	04.19-	■
40 TFSI quattro		Gasolina	4WD	1984	137	186	04.19-	■
45 TFSI quattro		Gasolina	4WD	1984	162	220	04.19-	■

<b>Q3 Sportback (G2N, G2T) 05.20-</b>				<b>Closed Off-Road Vehicle (Compact Crossover CUV-C Segment)</b>				
35 TFSI		Gasolina	FWD	1395	110	150	05.20-	■
40 TFSI		Gasolina	FWD	1984	137	186	05.20-	■
45 TFSi quattro		Gasolina	4WD	1984	162	220	05.20-	■

## CUPRA

<b>ATECA (KH7, KHP, KBP) 09.18-</b>				<b>SUV (Compact SUV-J Segment)</b>				
1.5 TSI		Gasolina	FWD	1498	110	150	07.23-	■
2.0 TSI 4Drive		Gasolina	4WD	1984	140	190	06.23-	■
2.0 TSI 4Drive (DNUE)	PR 1KY, discØ 310, PR ES	Gasolina	4WD	1984	221	300	09.18-	■
2.0 TSI 4Drive	PR 1KY, discØ 310, PR 2ES	Gasolina	4WD	1984	221	300	07.20-	■
2.0 TSI 4Drive	PR 1KY, discØ 310   PR 1KY, discØ 312, PR 2ES	Gasolina	4WD	1984	257	349	05.20-	■

## SEAT

<b>LEON III (5F1) 09.12-</b>				<b>Hatchback Van (Compact car-C Segment)</b>				
1.0 TSI (CHZD)	PR 1KJ, PR 1KY, elec.brake detention	Gasolina	FWD	999	85	115	05.15-08.20	■
1.2 TSI (CJZB)	PR 1KJ, PR 1KY, elec.brake detention	Gasolina	FWD	1197	63	86	01.13-08.18	■
1.2 TSI (CYVA)	PR 1KJ, PR 1KY, elec.brake detention	Gasolina	FWD	1197	63	86	01.13-08.18	■
1.2 TSI (CYVB)	PR 1KJ, PR 1KY, elec.brake detention	Gasolina	FWD	1197	81	110	04.14-08.18	■
1.4 TSI (CMBA)	PR 1KJ, PR 1KY, elec.brake detention	Gasolina	FWD	1395	90	122	09.12-10.16	■
1.4 TSI (CXSA)	PR 1KJ, PR 1KY, elec.brake detention	Gasolina	FWD	1395	90	122	09.12-10.16	■
1.4 TSI (CHPA)	PR 1KJ, PR 1KY, elec.brake detention	Gasolina	FWD	1395	103	140	09.12-10.16	■
1.4 TSI (CPTA)	PR 1KJ, PR 1KY, elec.brake detention	Gasolina	FWD	1395	103	140	09.12-10.16	■

# LISTA DE APLICACIONES - BUYERS GUIDE

1.4 TSI (CZEA)	PR 1KJ, PR 1KY, elec.brake detention	Gasolina	FWD	1395	110	150	05.14-08.20	■	
1.8 TFSI (CJSA)	PR 1KJ, PR 1KY, elec.brake detention	Gasolina	FWD	1798	132	180	02.13-08.18	■	
2.0 Cupra (CJXH)	PR 1KJ, PR 1KY, elec.brake detention	Gasolina	FWD	1984	213	290	09.15-10.16	■	
2.0 Cupra (CJXC)	PR 2ES, discØ 310	Gasolina	FWD	1984	221	300	01.17-08.18	■	
1.6 TDI (CLHB)	PR 1KJ, PR 1KY, elec.brake detention	Diesel	FWD	1598	66	90	11.12-10.16	■	
1.6 TDI (CLHA)	PR 1KJ, PR 1KY, elec.brake detention	Diesel	FWD	1598	77	105	09.12-10.16	■	
1.6 TDI (CRKB)	PR 1KJ, PR 1KY, elec.brake detention	Diesel	FWD	1598	81	110	09.13-10.16	■	
1.6 TDI (CXXB)	PR 1KJ, PR 1KY, elec.brake detention	Diesel	FWD	1598	81	110	09.13-10.16	■	
1.6 TDI (DBKA)	PR 1KJ, PR 1KY, elec.brake detention	Diesel	FWD	1598	81	110	09.13-10.16	■	
1.6 TDI (DDYA)	PR 1KJ, PR 1KY, elec.brake detention	Diesel	FWD	1598	85	115	11.16-08.20	■	
2.0 TDI (CKFC)	PR 1KJ, PR 1KY, elec.brake detention	Diesel	FWD	1968	110	150	10.12-08.18	■	
2.0 TDI (CRMB)	PR 1KJ, PR 1KY, elec.brake detention	Diesel	FWD	1968	110	150	10.12-08.18	■	
2.0 TDI (CUNA)	PR 1KJ, PR 1KY, elec.brake detention	Diesel	FWD	1968	135	184	02.13-08.18	■	
2.0 TDI (CUPA)	PR 1KJ, PR 1KY, elec.brake detention	Diesel	FWD	1968	135	184	02.13-08.18	■	
<b>LEON III (5F1) 09.12-</b>							<b>Hatchback (Compact car-C Segment)</b>		
1.0 TSI (DKLB)	PR 1KJ, PR 1KY, elec.brake detention	Gasolina	FWD	999	63	86	09.18-08.20	■	
1.0 TSI (CHZD)	PR 1KJ, PR 1KY, elec.brake detention	Gasolina	FWD	999	85	115	05.15-08.20	■	
1.0 TSI (DKRF)	PR 1KJ, PR 1KY, elec.brake detention	Gasolina	FWD	999	85	115	05.15-08.20	■	
1.2 TSI (CJZB)	PR 1KJ, PR 1KY, elec.brake detention	Gasolina	FWD	1197	63	86	12.12-08.18	■	
1.2 TSI (CYVA)	PR 1KJ, PR 1KY, elec.brake detention	Gasolina	FWD	1197	63	86	12.12-08.18	■	
1.2 TSI (CJZA)	PR 1KJ, PR 1KY, elec.brake detention	Gasolina	FWD	1197	77	105	01.13-08.20	■	
1.2 TSI (CYVB)	PR 1KJ, PR 1KY, elec.brake detention	Gasolina	FWD	1197	81	110	04.14-08.20	■	
1.4 TSI (CMBA)	PR 1KJ, PR 1KY, elec.brake detention	Gasolina	FWD	1395	90	122	11.12-10.16	■	
1.4 TSI (CXSA)	PR 1KJ, PR 1KY, elec.brake detention	Gasolina	FWD	1395	90	122	11.12-10.16	■	
1.4 TSI (CZCA)	PR 1KJ, PR 1KY, elec.brake detention	Gasolina	FWD	1395	92	125	05.14-08.20	■	
1.4 TSI (CHPA)	PR 1KJ, PR 1KY, elec.brake detention	Gasolina	FWD	1395	103	140	09.12-08.20	■	
1.4 TSI (CPTA)	PR 1KJ, PR 1KY, elec.brake detention	Gasolina	FWD	1395	103	140	09.12-08.20	■	
1.4 TSI (CZDA)	PR 1KJ, PR 1KY, elec.brake detention	Gasolina	FWD	1395	110	150	05.14-08.20	■	
1.4 TSI (CZEA)	PR 1KJ, PR 1KY, elec.brake detention	Gasolina	FWD	1395	110	150	05.14-08.20	■	
1.5 TSI (DACA)	PR 1KJ, PR 1KY, elec.brake detention	Gasolina	FWD	1495	96	130	09.18-08.20	■	
1.5 TSI (DPBA)	PR 1KJ, PR 1KY, elec.brake detention	Gasolina	FWD	1495	96	130	09.18-08.20	■	
1.5 TSI (DADA)	PR 1KJ, PR 1KY, elec.brake detention	Gasolina	FWD	1498	110	150	09.18-08.20	■	
1.5 TSI (DPCA)	PR 1KJ, PR 1KY, elec.brake detention	Gasolina	FWD	1498	110	150	09.18-08.20	■	
1.8 TSI (CJSA)	PR 1KJ, PR 1KY, elec.brake detention	Gasolina	FWD	1798	132	180	02.13-08.18	■	
2.0 TSI (DKZA)	PR 1KJ, PR 1KY, discØ 310	Gasolina	FWD	1984	140	190	09.18-08.20	■	
2.0 Cupra (CJXE)	PR 1KJ, PR 1KY, PR 2ES, discØ 310	Gasolina	FWD	1984	195	265	10.13-08.20	■	

## LISTA DE APLICACIONES - BUYERS GUIDE

2.0 Cupra (CJXA)	PR 1KJ, PR 1KY, PR 2ES, discØ 310	Gasolina	FWD	1984	206	280	10.13-08.20	■	
2.0 Cupra (CJXH)	PR 1KJ, PR 1KY, PR 2ES, discØ 310	Gasolina	FWD	1984	213	290	10.15-08.20	■	
2.0 Cupra (DNUC)	PR 1KJ, PR 1KY, PR 2ES, discØ 310	Gasolina	FWD	1984	213	290	10.15-08.20	■	
2.0 Cupra (CJXC)	PR 2ES, discØ 310	Gasolina	FWD	1984	221	300	01.17-08.18	■	
2.0 Cupra R (CJXG)		Gasolina	FWD	1984	228	310	11.17-08.18	■	
1.4 TGI (CPWA)	PR 1KJ, PR 1KY, elec.brake detention	Gasol./Gas (CNG)	FWD	1395	81	110	02.13-08.18	■	
1.5 TGI (DHFA)	PR 1KJ, PR 1KY, elec.brake detention	Gasol./Gas (CNG)	FWD	1498	96	131	10.18-08.20	■	
1.6 TDI (CLHB)	PR 1KJ, PR 1KY, elec.brake detention	Diesel	FWD	1598	66	90	11.12-08.18	■	
1.6 TDI (CXXA)	PR 1KJ, PR 1KY, elec.brake detention	Diesel	FWD	1598	66	90	11.12-08.18	■	
1.6 TDI (DDYB)	PR 1KJ, PR 1KY, elec.brake detention	Diesel	FWD	1598	66	90	11.12-08.18	■	
1.6 TDI (CLHA)	PR 1KJ, PR 1KY, elec.brake detention	Diesel	FWD	1598	77	105	09.12-08.20	■	
1.6 TDI (CRKB)	PR 1KJ, PR 1KY, elec.brake detention	Diesel	FWD	1598	81	110	09.13-08.20	■	
1.6 TDI (CXXB)	PR 1KJ, PR 1KY, elec.brake detention	Diesel	FWD	1598	81	110	09.13-08.20	■	
1.6 TDI (DBKA)	PR 1KJ, PR 1KY, elec.brake detention	Diesel	FWD	1598	81	110	09.13-08.20	■	
1.6 TDI (DDYA)	PR 1KJ, PR 1KY, elec.brake detention	Diesel	FWD	1598	85	115	11.16-08.20	■	
1.6 TDI (DGTE)	PR 1KJ, PR 1KY, elec.brake detention	Diesel	FWD	1598	85	115	11.16-08.20	■	
2.0 TDI (CRLD)	PR 1KJ, PR 1KY, elec.brake detention	Diesel	FWD	1968	81	110	05.13-08.20	■	
2.0 TDI (CRVA)	PR 1KJ, PR 1KY, elec.brake detention	Diesel	FWD	1968	81	110	05.13-08.20	■	
2.0 TDI (CRVC)	PR 1KJ, PR 1KY, elec.brake detention	Diesel	FWD	1968	105	143	05.13-08.20	■	
2.0 TDI (CKFC)	PR 1KJ, PR 1KY, elec.brake detention	Diesel	FWD	1968	110	150	10.12-08.20	■	
2.0 TDI (CRMB)	PR 1KJ, PR 1KY, elec.brake detention	Diesel	FWD	1968	110	150	10.12-08.20	■	
2.0 TDI (DFFA)	PR 1KJ, PR 1KY, elec.brake detention	Diesel	FWD	1968	110	150	10.12-08.20	■	
2.0 TDI (CUNA)	PR 1KJ, PR 1KY, elec.brake detention	Diesel	FWD	1968	135	184	09.12-08.20	■	
2.0 TDI (CUPA)	PR 1KJ, PR 1KY, elec.brake detention	Diesel	FWD	1968	135	184	09.12-08.20	■	
2.0 TDI (DJGA)	PR 1KJ, PR 1KY, elec.brake detention	Diesel	FWD	1968	135	184	09.12-08.20	■	
<b>LEON III SC (5F5) 01.13-</b>						<b>Coupe (Compact car-C Segment)</b>			
1.0 TSI (CHZD)	PR 1KJ, PR 1KY, elec.brake detention	Gasolina	FWD	999	85	115	05.15-08.18	■	
1.2 TSI (CJZB)	PR 1KJ, PR 1KY, elec.brake detention	Gasolina	FWD	1197	63	86	01.13-08.18	■	
1.2 TSI (CYVA)	PR 1KJ, PR 1KY, elec.brake detention	Gasolina	FWD	1197	63	86	01.13-08.18	■	
1.2 TSI (CJZA)	PR 1KJ, PR 1KY, elec.brake detention	Gasolina	FWD	1197	77	105	02.13-04.14	■	
1.2 TSI (CYVB)	PR 1KJ, PR 1KY, elec.brake detention	Gasolina	FWD	1197	81	110	05.14-08.18	■	
1.4 TSI (CMBA)	PR 1KJ, PR 1KY, elec.brake detention	Gasolina	FWD	1395	90	122	02.13-06.15	■	
1.4 TSI (CXSA)	PR 1KJ, PR 1KY, elec.brake detention	Gasolina	FWD	1395	90	122	02.13-06.15	■	
1.4 TSI (CZCA)	PR 1KJ, PR 1KY, elec.brake detention	Gasolina	FWD	1395	92	125	05.14-08.18	■	
1.4 TSI (CHPA)	PR 1KJ, PR 1KY, elec.brake detention	Gasolina	FWD	1395	103	140	02.13-11.16	■	

## LISTA DE APLICACIONES - BUYERS GUIDE

1.4 TSI (CPTA)	PR 1KJ, PR 1KY, elec.brake detention	Gasolina	FWD	1395	103	140	02.13-11.16	■	
1.4 TSI (CZEA)	PR 1KJ, PR 1KY, elec.brake detention	Gasolina	FWD	1395	110	150	05.14-08.18	■	
1.8 TSI (CJSA)	PR 1KJ, PR 1KY, elec.brake detention	Gasolina	FWD	1798	132	180	02.13-08.18	■	
2.0 Cupra (CJXE)	PR 1KJ, PR 1KY, discØ 310	Gasolina	FWD	1984	195	265	10.13-11.16	■	
2.0 Cupra (CJXA)		Gasolina	FWD	1984	206	280	10.13-11.16	■	
2.0 Cupra (CJXH)		Gasolina	FWD	1984	213	290	10.15-11.16	■	
2.0 Cupra (CJXC)	PR 2ES, discØ 310	Gasolina	FWD	1984	221	300	01.17-08.18	■	
1.6 TDI (CLHB)	PR 1KJ, PR 1KY, elec.brake detention	Diesel	FWD	1598	66	90	02.13-08.18	■	
1.6 TDI (CXXA)	PR 1KJ, PR 1KY, elec.brake detention	Diesel	FWD	1598	66	90	02.13-08.18	■	
1.6 TDI (DDYB)	PR 1KJ, PR 1KY, elec.brake detention	Diesel	FWD	1598	66	90	02.13-08.18	■	
1.6 TDI (CLHA)	PR 1KJ, PR 1KY, elec.brake detention	Diesel	FWD	1598	77	105	02.13-08.18	■	
1.6 TDI (CRKB)	PR 1KJ, PR 1KY, elec.brake detention	Diesel	FWD	1598	81	110	09.13-11.16	■	
1.6 TDI (CXXB)	PR 1KJ, PR 1KY, elec.brake detention	Diesel	FWD	1598	81	110	09.13-11.16	■	
1.6 TDI (DDYA)	PR 1KJ, PR 1KY, elec.brake detention	Diesel	FWD	1598	85	115	11.16-08.18	■	
2.0 TDI (CRVA)	PR 1KJ, PR 1KY, elec.brake detention	Diesel	FWD	1968	81	110	02.13-08.18	■	
2.0 TDI (CRVC)	PR 1KJ, PR 1KY, elec.brake detention	Diesel	FWD	1968	105	143	05.13-08.18	■	
2.0 TDI (CKFC)	PR 1KJ, PR 1KY, elec.brake detention	Diesel	FWD	1968	110	150	02.13-08.18	■	
2.0 TDI (CRMB)	PR 1KJ, PR 1KY, elec.brake detention	Diesel	FWD	1968	110	150	02.13-08.18	■	
2.0 TDI (CUNA)	PR 1KJ, PR 1KY, elec.brake detention	Diesel	FWD	1968	135	184	03.13-08.18	■	
2.0 TDI (CUPA)	PR 1KJ, PR 1KY, elec.brake detention	Diesel	FWD	1968	135	184	03.13-08.18	■	
<b>LEON III ST (5F8) 01.13-</b>							<b>Estate Van (Compact car-C Segment)</b>		
1.0 TSI (CHZD)	PR 1KJ, PR 1KY, elec.brake detention	Gasolina	FWD	999	85	115	05.15-08.20	■	
1.2 TSI (CJZB)	PR 1KJ, PR 1KY, elec.brake detention	Gasolina	FWD	1197	63	86	01.13-08.18	■	
1.2 TSI (CYVA)	PR 1KJ, PR 1KY, elec.brake detention	Gasolina	FWD	1197	63	86	01.13-08.18	■	
1.2 TSI (CYVB)	PR 1KJ, PR 1KY, elec.brake detention	Gasolina	FWD	1197	81	110	05.14-08.18	■	
1.4 TSI (CZDA)	PR 1KJ, PR 1KY, elec.brake detention	Gasolina	FWD	1395	110	150	05.14-08.20	■	
1.4 TSI (CZEA)	PR 1KJ, PR 1KY, elec.brake detention	Gasolina	FWD	1395	110	150	05.14-08.20	■	
1.8 TFSI (CJSA)	PR 1KJ, PR 1KY, elec.brake detention	Gasolina	FWD	1798	132	180	10.13-08.18	■	
2.0 Cupra (CJXA)	PR 1KJ, PR 1KY, PR 2ES, discØ 310	Gasolina	FWD	1984	206	280	10.13-08.20	■	
2.0 Cupra (CJXC)	PR 2ES, discØ 310	Gasolina	FWD	1984	221	300	11.16-08.18	■	
2.0 Cupra 4Drive (CJXC)	PR 2ES, discØ 310	Gasolina	4WD	1984	221	300	11.16-08.18	■	
1.6 TDI (CRKB)	PR 1KJ, PR 1KY, elec.brake detention	Diesel	FWD	1598	81	110	09.13-08.20	■	
1.6 TDI (CXXB)	PR 1KJ, PR 1KY, elec.brake detention	Diesel	FWD	1598	81	110	09.13-08.20	■	
1.6 TDI (DBKA)	PR 1KJ, PR 1KY, elec.brake detention	Diesel	FWD	1598	81	110	09.13-08.20	■	
1.6 TDI (DDYA)	PR 1KJ, PR 1KY, elec.brake detention	Diesel	FWD	1598	85	115	11.16-08.20	■	
2.0 TDI (CKFC)	PR 1KJ, PR 1KY, elec.brake detention	Diesel	FWD	1968	110	150	04.13-08.18	■	
2.0 TDI (CRBC)	PR 1KJ, PR 1KY, elec.brake detention	Diesel	FWD	1968	110	150	04.13-08.18	■	

# LISTA DE APLICACIONES - BUYERS GUIDE

2.0 TDI (CRLB)	PR 1KJ, PR 1KY, elec.brake detention	Diesel	FWD	1968	110	150	04.13-08.18	■
2.0 TDI (CRMB)	PR 1KJ, PR 1KY, elec.brake detention	Diesel	FWD	1968	110	150	04.13-08.18	■
2.0 TDI 4Drive (CRBC)	PR 1KJ, PR 1KY, elec.brake detention	Diesel	4WD	1968	110	150	09.14-08.18	■
2.0 TDI 4Drive (CRLB)	PR 1KJ, PR 1KY, elec.brake detention	Diesel	4WD	1968	110	150	09.14-08.18	■
2.0 TDI (CUNA)	PR 1KJ, PR 1KY, elec.brake detention	Diesel	FWD	1968	135	184	08.13-08.18	■
2.0 TDI (CUPA)	PR 1KJ, PR 1KY, elec.brake detention	Diesel	FWD	1968	135	184	08.13-08.18	■
2.0 TDI 4Drive (CUNA)	PR 1KJ, PR 1KY, elec.brake detention	Diesel	4WD	1968	135	184	10.14-08.18	■
<b>LEON III ST (5F8) 09.12-</b>				<b>Estate (Compact car-C Segment)</b>				
1.0 TSI (DKLB)	PR 1KJ, PR 1KY, elec.brake detention	Gasolina	FWD	999	63	86	09.18-08.20	■
1.0 TSI (CHZD)	PR 1KJ, PR 1KY, elec.brake detention	Gasolina	FWD	999	85	115	05.15-08.20	■
1.0 TSI (DKRF)	PR 1KJ, PR 1KY, elec.brake detention	Gasolina	FWD	999	85	115	05.15-08.20	■
1.2 TSI (CJZB)	PR 1KJ, PR 1KY, elec.brake detention	Gasolina	FWD	1197	63	86	11.13-08.18	■
1.2 TSI (CYVA)	PR 1KJ, PR 1KY, elec.brake detention	Gasolina	FWD	1197	63	86	11.13-08.18	■
1.2 TSI (CJZA)	PR 1KJ, PR 1KY, elec.brake detention	Gasolina	FWD	1197	77	105	08.13-08.20	■
1.2 TSI (CYVB)	PR 1KJ, PR 1KY, elec.brake detention	Gasolina	FWD	1197	81	110	05.14-08.20	■
1.4 TSI (CMBA)	PR 1KJ, PR 1KY, elec.brake detention	Gasolina	FWD	1395	90	122	09.12-06.15	■
1.4 TSI (CXSA)	PR 1KJ, PR 1KY, elec.brake detention	Gasolina	FWD	1395	90	122	09.12-06.15	■
1.4 TSI (CZCA)	PR 1KJ, PR 1KY, elec.brake detention	Gasolina	FWD	1395	92	125	05.14-08.18	■
1.4 TSI (CHPA)	PR 1KJ, PR 1KY, elec.brake detention	Gasolina	FWD	1395	103	140	10.13-08.20	■
1.4 TSI (CPTA)	PR 1KJ, PR 1KY, elec.brake detention	Gasolina	FWD	1395	103	140	10.13-08.20	■
1.4 TSI (CZEA)	PR 1KJ, PR 1KY, elec.brake detention	Gasolina	FWD	1395	110	150	05.14-08.20	■
1.5 TSI (DACA)	PR 1KJ, PR 1KY, elec.brake detention	Gasolina	FWD	1495	96	130	09.18-08.20	■
1.5 TSI (DPBA)	PR 1KJ, PR 1KY, elec.brake detention	Gasolina	FWD	1495	96	130	09.18-08.20	■
1.5 TSI (DADA)	PR 1KJ, PR 1KY, elec.brake detention	Gasolina	FWD	1498	110	150	09.18-08.20	■
1.5 TSI (DPCA)	PR 1KJ, PR 1KY, elec.brake detention	Gasolina	FWD	1498	110	150	09.18-08.20	■
1.8 TSI (CJSA)	PR 1KJ, PR 1KY, elec.brake detention	Gasolina	FWD	1798	132	180	10.13-08.18	■
1.8 TSI 4Drive (CJSA)	PR 1KJ, PR 1KY, elec.brake detention	Gasolina	4WD	1798	132	180	11.14-08.18	■
1.8 TSI 4Drive (CJSB)	PR 1KJ, PR 1KY, elec.brake detention	Gasolina	4WD	1798	132	180	11.14-08.18	■
2.0 TSI (DKZA)	PR 1KJ, PR 1KY, discØ 310	Gasolina	FWD	1984	140	190	07.18-08.20	■
2.0 TSI 4Drive (DKZA)	PR 1KJ, PR 1KY, discØ 310	Gasolina	4WD	1984	140	190	09.18-08.20	■
2.0 Cupra (CJXE)	PR 1KJ, PR 1KY, PR 2ES, discØ 310	Gasolina	FWD	1984	195	265	10.13-08.20	■
2.0 Cupra (CJXA)	PR 1KJ, PR 1KY, PR 2ES, discØ 310	Gasolina	FWD	1984	206	280	10.13-08.20	■
2.0 Cupra (CJXH)	PR 1KJ, PR 1KY, PR 2ES, discØ 310	Gasolina	FWD	1984	213	290	10.15-08.20	■
2.0 Cupra (DNUC)	PR 1KJ, PR 1KY, PR 2ES, discØ 310	Gasolina	FWD	1984	213	290	10.15-08.20	■
2.0 Cupra (CJXC)	PR 2ES, discØ 310	Gasolina	FWD	1984	221	300	11.16-08.18	■
2.0 Cupra 4Drive (CJXC)	PR 2ES, discØ 310	Gasolina	4WD	1984	221	300	11.16-08.20	■
2.0 Cupra 4Drive (DNUE)	PR 2ES, discØ 310	Gasolina	4WD	1984	221	300	11.16-08.20	■

# LISTA DE APLICACIONES - BUYERS GUIDE

1.4 TGI (CPWA)	PR 1KJ, PR 1KY, elec.brake detention	Gasol./Gas (CNG)	FWD	1395	81	110	10.13-08.18	■	
1.5 TGI (DHFA)	PR 1KJ, PR 1KY, elec.brake detention	Gasol./Gas (CNG)	FWD	1498	96	131	10.18-08.20	■	
1.6 TDI (CLHB)	PR 1KJ, PR 1KY, elec.brake detention	Diesel	FWD	1598	66	90	11.13-08.18	■	
1.6 TDI (CXXA)	PR 1KJ, PR 1KY, elec.brake detention	Diesel	FWD	1598	66	90	11.13-08.18	■	
1.6 TDI (DDYB)	PR 1KJ, PR 1KY, elec.brake detention	Diesel	FWD	1598	66	90	11.13-08.18	■	
1.6 TDI (CLHA)	PR 1KJ, PR 1KY, elec.brake detention	Diesel	FWD	1598	77	105	10.13-08.20	■	
1.6 TDI 4Drive (CLHA)	PR 1KJ, PR 1KY, elec.brake detention	Diesel	4WD	1598	77	105	04.14-08.20	■	
1.6 TDI (CRKB)	PR 1KJ, PR 1KY, elec.brake detention	Diesel	FWD	1598	81	110	09.13-08.20	■	
1.6 TDI (CXXB)	PR 1KJ, PR 1KY, elec.brake detention	Diesel	FWD	1598	81	110	09.13-08.20	■	
1.6 TDI (DBKA)	PR 1KJ, PR 1KY, elec.brake detention	Diesel	FWD	1598	81	110	09.13-08.20	■	
1.6 TDI 4Drive (CXXB)	PR 1KJ, PR 1KY, elec.brake detention	Diesel	4WD	1598	81	110	11.14-08.20	■	
1.6 TDI (DDYA)	PR 1KJ, PR 1KY, elec.brake detention	Diesel	FWD	1598	85	115	11.16-08.20	■	
1.6 TDI (DGTE)	PR 1KJ, PR 1KY, elec.brake detention	Diesel	FWD	1598	85	115	11.16-08.20	■	
1.6 TDI 4Drive (DGTE)	PR 1KJ, PR 1KY, elec.brake detention	Diesel	4WD	1598	85	115	07.18-08.20	■	
2.0 TDI (CRVA)	PR 1KJ, PR 1KY, elec.brake detention	Diesel	FWD	1968	81	110	02.13-12.16	■	
2.0 TDI (CRVC)	PR 1KJ, PR 1KY, elec.brake detention	Diesel	FWD	1968	105	143	10.13-08.18	■	
2.0 TDI (CKFC)	PR 1KJ, PR 1KY, elec.brake detention	Diesel	FWD	1968	110	150	10.13-08.20	■	
2.0 TDI (CRBC)	PR 1KJ, PR 1KY, elec.brake detention	Diesel	FWD	1968	110	150	10.13-08.20	■	
2.0 TDI (CRLB)	PR 1KJ, PR 1KY, elec.brake detention	Diesel	FWD	1968	110	150	10.13-08.20	■	
2.0 TDI (CRMB)	PR 1KJ, PR 1KY, elec.brake detention	Diesel	FWD	1968	110	150	10.13-08.20	■	
2.0 TDI (DFFA)	PR 1KJ, PR 1KY, elec.brake detention	Diesel	FWD	1968	110	150	10.13-08.20	■	
2.0 TDI (DFGA)	PR 1KJ, PR 1KY, elec.brake detention	Diesel	FWD	1968	110	150	10.13-08.20	■	
2.0 TDI 4Drive (CRBC)	PR 1KJ, PR 1KY, elec.brake detention	Diesel	4WD	1968	110	150	04.14-08.20	■	
2.0 TDI 4Drive (CRLB)	PR 1KJ, PR 1KY, elec.brake detention	Diesel	4WD	1968	110	150	04.14-08.20	■	
2.0 TDI 4Drive (CRMB)	PR 1KJ, PR 1KY, elec.brake detention	Diesel	4WD	1968	110	150	04.14-08.20	■	
2.0 TDI 4Drive (DCYA)	PR 1KJ, PR 1KY, elec.brake detention	Diesel	4WD	1968	110	150	04.14-08.20	■	
2.0 TDI 4Drive (DFGA)	PR 1KJ, PR 1KY, elec.brake detention	Diesel	4WD	1968	110	150	04.14-08.20	■	
2.0 TDI (CUNA)	PR 1KJ, PR 1KY, elec.brake detention	Diesel	FWD	1968	135	184	08.13-08.20	■	
2.0 TDI (CUPA)	PR 1KJ, PR 1KY, elec.brake detention	Diesel	FWD	1968	135	184	08.13-08.20	■	
2.0 TDI (DJGA)	PR 1KJ, PR 1KY, elec.brake detention	Diesel	FWD	1968	135	184	08.13-08.20	■	
2.0 TDI 4Drive (CUNA)	PR 1KJ, PR 1KY, elec.brake detention	Diesel	4WD	1968	135	184	11.14-08.18	■	
2.0 TDI 4Drive (DJGA)	PR 1KJ, PR 1KY, elec.brake detention	Diesel	4WD	1968	135	184	11.14-08.18	■	
<b>LEON IV (KL1, KLG) 11.19-</b>							<b>Hatchback (Compact car-C Segment)</b>		
1.4 TSI e-Hybrid (DGEA)	PR 1KJ, PR 1KY	Gasol./eléc.	FWD	1395	110	150	05.20-	■	

# LISTA DE APLICACIONES - BUYERS GUIDE

1.4 TSI e-Hybrid	PR 1KJ, PR 1KY	Gasol./el éc.	FWD	1395	150	204	05.20-	■	
<b>LEON IV Sportstourer (KL8, KLD) 03.20-</b>					<b>Estate (Compact car-C Segment)</b>				
1.4 TSI e-Hybrid (DGEA)	PR 1KJ, PR 1KY	Gasol./el éc.	FWD	1395	110	150	05.20-	■	
1.4 TSI e-Hybrid	PR 1KJ, PR 1KY	Gasol./el éc.	FWD	1395	150	204	05.20-	■	
<b>TARRACO (KN2) 09.18-</b>					<b>SUV (Compact Crossover CUV-C Segment)</b>				
1.5 TSI ACT (DADA)	PR 1KU, PR 2EM, discØ 300	Gasolina	FWD	1498	110	150	09.18-05.24	■	
1.5 TSI ACT (DPCA)	PR 1KU, PR 2EM, discØ 300	Gasolina	FWD	1498	110	150	09.18-05.24	■	
2.0 TSI 4Drive (DKZA)	PR 1KU, PR 2EM, discØ 300	Gasolina	4WD	1984	140	190	09.18-05.24	■	
2.0 TFSI 4Drive	PR 2ER, PR 2EV, discØ 310	Gasolina	4WD	1984	180	245	01.21-05.24	■	
1.4 TSI Plug in Hybrid	PR 1KU, PR 2EM, discØ 300	Gasol./el éc.	FWD	1395	110	150	02.21-	■	
TSI e-HYBRID		Gasol./el éc.	FWD	1395	180	245	02.21-05.24	■	
2.0 TDI (DFGA)	PR 1KU, PR 2EM, discØ 300	Diesel	FWD	1968	110	150	09.18-05.24	■	
2.0 TDI 4Drive (DFGA)	PR 1KU	Diesel	4WD	1968	110	150	09.18-05.24	■	
2.0 TDI 4Drive (DFHA)	PR 1KU, PR 2EM, discØ 300	Diesel	4WD	1968	140	190	09.18-05.24	■	
2.0 TDI 4Drive (DTUA)	PR 1KU, PR 2EM, discØ 300	Diesel	4WD	1968	147	200	07.20-05.24	■	
<b>SKODA</b>									
<b>(NS6, NS7, NV7) 10.16-</b>					<b>SUV Van ()</b>				
1.5 TSI		Gasolina	FWD	1498	110	150	07.18-	■	
2.0 TSI 4x4		Gasolina	4WD	1984	140	190	12.18-	■	
2.0 TDI		Diesel	FWD	1968	110	150	03.17-	■	
2.0 TDI 4x4		Diesel	4WD	1968	110	150	03.17-	■	
2.0 TDI 4x4		Diesel	4WD	1968	140	190	10.16-	■	
2.0 TDI 4x4		Diesel	4WD	1968	147	200	06.20-	■	
2.0 Bi- TDi RS 4x4		Diesel	4WD	1968	176	239	07.18-	■	
<b>KODIAQ (NS6, NS7, NV7) 10.16-</b>					<b>SUV (Large SUV-J Segment)</b>				
1.4 TSI (CZCA)	PR 1KJ, PR 1KU, discØ 300	Gasolina	FWD	1395	92	125	10.16-	■	
1.4 TSI (CZDA)	PR 1KJ, PR 1KU, PR 2EM, discØ 300	Gasolina	FWD	1395	110	150	10.16-	■	
1.4 TSI (CZEA)	PR 1KJ, PR 1KU, PR 2EM, discØ 300	Gasolina	FWD	1395	110	150	10.16-	■	
1.4 TSI 4x4 (CZDA)	PR 1KJ, PR 1KU, PR 2EM, discØ 300	Gasolina	4WD	1395	110	150	10.16-	■	
1.4 TSI 4x4 (CZEA)	PR 1KJ, PR 1KU, PR 2EM, discØ 300	Gasolina	4WD	1395	110	150	10.16-	■	
1.5 TSI (DADA)	PR 1KJ, PR 1KU, PR 2EI, PR 2EM, discØ 300	Gasolina	FWD	1498	110	150	07.18-	■	
1.5 TSI (DPCA)	PR 1KJ, PR 1KU, PR 2EI, PR 2EM, discØ 300	Gasolina	FWD	1498	110	150	07.18-	■	
1.5 TSI 4x4 (DADA)	PR 1KJ, PR 1KU, PR 2EI, PR 2EM, discØ 300	Gasolina	4WD	1498	110	150	07.18-	■	
1.5 TSI 4x4 (DPCA)	PR 1KJ, PR 1KU, PR 2EI, PR 2EM, discØ 300	Gasolina	4WD	1498	110	150	07.18-	■	
2.0 TSI 4x4 (CZPA)	PR 1KJ, PR 1KU, PR 2EM, discØ 300	Gasolina	4WD	1984	132	180	10.16-	■	
2.0 TSI 4x4 (DKZA)	PR 1KU, PR 1KZ, PR 2EI, PR 2EM, discØ 300	Gasolina	4WD	1984	140	190	02.19-	■	
2.0 TSI 4x4	PR 1KJ, PR 1KU, PR 2EI, PR 2EM, PR 2ET, PR 2EY	Gasolina	4WD	1984	140	190	11.20-	■	
2.0 RS 4x4		Gasolina	4WD	1984	180	245	06.21-	■	
2.0 TDI (DFGC)	PR 1KJ, PR 1KU, PR 2EM, discØ 300	Diesel	FWD	1968	85	115	02.19-	■	
2.0 TDI		Diesel	FWD	1968	85	116	07.18-	■	
2.0 TDI (DBGGA)	PR 1KJ, PR 1KU, PR 2EI, PR 2EM, discØ 300	Diesel	FWD	1968	110	150	10.16-	■	

# LISTA DE APLICACIONES - BUYERS GUIDE

2.0 TDI (DBGC)	PR 1KJ, PR 1KU, PR 2EI, PR 2EM, discØ 300	Diesel	FWD	1968	110	150	10.16-	■
2.0 TDI (DFGA)	PR 1KJ, PR 1KU, PR 2EI, PR 2EM, discØ 300	Diesel	FWD	1968	110	150	10.16-	■
2.0 TDI (DTSB)	PR 1KJ, PR 1KU, PR 2EI, PR 2EM, discØ 300	Diesel	FWD	1968	110	150	10.16-	■
2.0 TDI 4x4 (DBGA)	PR 1KJ, PR 1KU, PR 2EM, discØ 300	Diesel	4WD	1968	110	150	10.16-	■
2.0 TDI 4x4 (DBGC)	PR 1KJ, PR 1KU, PR 2EM, discØ 300	Diesel	4WD	1968	110	150	10.16-	■
2.0 TDI 4x4 (DFGA)	PR 1KJ, PR 1KU, PR 2EM, discØ 300	Diesel	4WD	1968	110	150	10.16-	■
2.0 TDI 4x4 (DTSB)	PR 1KJ, PR 1KU, PR 2EM, discØ 300	Diesel	4WD	1968	110	150	10.16-	■
2.0 TDI 4x4 (CRGB)	discØ 300, PR 2EI	Diesel	4WD	1968	130	177	04.17-	■
2.0 TDI 4x4 (DFHA)	PR 1KJ, PR 1KU, PR 2EM, discØ 300	Diesel	4WD	1968	140	190	10.16-	■
2.0 TDI (DTUA)		Diesel	FWD	1968	147	200	02.20-	■
2.0 TDI 4x4 (DTUA)	discØ 300, PR 2EI	Diesel	4WD	1968	147	200	06.20-	■
2.0 RS Bi-TDI 4x4 (CUAA)	PR 1KJ, PR 1KU, discØ 300   PR 1KJ, PR 2ET, discØ 340	Diesel	4WD	1968	176	239	11.18-	■
<b>SUPERB III (3V5) 03.15-</b>				<b>Estate (Executive car-E Segment)</b>				
1.4 TSI (CZCA)	PR 1KU, PR 1KZ, PR 2EI, PR 2EM, discØ 300	Gasolina	FWD	1395	92	125	03.15-06.24	■
1.4 TSI (CZDA)	PR 1KU, PR 1KZ, PR 2EI, PR 2EM, discØ 300	Gasolina	FWD	1395	110	150	03.15-06.24	■
1.4 TSI (CZEA)	PR 1KU, PR 1KZ, PR 2EI, PR 2EM, discØ 300	Gasolina	FWD	1395	110	150	03.15-06.24	■
1.4 TSI 4x4 (CZEA)	PR 1KU, PR 1KZ, PR 2EI, PR 2EM, discØ 300	Gasolina	4WD	1395	110	150	03.15-06.24	■
1.5 TSI (DADA)	discØ 300, PR 1KU, PR 2EI, PR 2EM	Gasolina	FWD	1498	110	150	03.15-06.24	■
1.5 TSI (DPCA)	discØ 300, PR 1KU, PR 2EI, PR 2EM	Gasolina	FWD	1498	110	150	03.15-06.24	■
1.8 TSI (CJSA)	PR 1KU, PR 1KZ, PR 2EI, PR 2EM, discØ 300	Gasolina	FWD	1798	132	180	03.15-06.24	■
1.8 TSI (CJSC)	PR 1KU, PR 1KZ, PR 2EI, PR 2EM, discØ 300	Gasolina	FWD	1798	132	180	03.15-06.24	■
2.0 TSI (CZPB)	discØ 310, PR 1KZ, PR 2ER, PR 2EV	Gasolina	FWD	1984	140	190	07.19-06.24	■
2.0 TSI (DKZA)	discØ 310, PR 1KZ, PR 2ER, PR 2EV	Gasolina	FWD	1984	140	190	07.19-06.24	■
2.0 TSI (DNNA)	discØ 310, PR 1KZ, PR 2ER, PR 2EV	Gasolina	FWD	1984	140	190	07.19-06.24	■
2.0 TSI (CHHB)	PR 1KU, PR 1KZ, PR 2ER, PR 2EV, discØ 310, discØ 300	Gasolina	FWD	1984	162	220	03.15-06.24	■
2.0 TSI 4x4 (DNUA)	discØ 310, PR 1KZ, PR 2ER, PR 2EV, discØ 300	Gasolina	4WD	1984	200	272	03.15-06.24	■
2.0 TSI 4x4 (CJXA)	PR 1KU, PR 1KZ, PR 2ER, PR 2EV, discØ 310, discØ 300	Gasolina	4WD	1984	206	280	03.15-06.24	■
2.0 TSI 4x4 (DNFE)	PR 1KU, PR 1KZ, PR 2ER, PR 2EV, discØ 310, discØ 300	Gasolina	4WD	1984	206	280	03.15-06.24	■
1.4 TSI iv (DGEB)	discØ 300, PR 1KU, PR 2EI, PR 2EM	Gasol./el éc.	FWD	1395	115	156	08.19-	■
1.4 TSI iv	discØ 300, PR 1KU, PR 2EI, PR 2EM	Gasol./el éc.	FWD	1395	160	218	08.19-06.24	■
1.6 TDI (DCXA)	PR 1KU, PR 1KZ, PR 2EI, PR 2EM, discØ 300	Diesel	FWD	1598	88	120	03.15-06.24	■
1.6 TDI (DCZA)	PR 1KU, PR 1KZ, PR 2EI, PR 2EM, discØ 300	Diesel	FWD	1598	88	120	03.15-06.24	■
2.0 TDI	discØ 300, PR 1KU, PR 2EI, PR 2EM   discØ 310, PR 1KZ	Diesel	FWD	1968	90	122	07.20-06.24	■
2.0 TDI (CRLB)	PR 1KU, PR 1KZ, PR 2EI, PR 2EM, discØ 300	Diesel	FWD	1968	110	150	03.15-06.24	■
2.0 TDI (DFEA)	PR 1KU, PR 1KZ, PR 2EI, PR 2EM, discØ 300	Diesel	FWD	1968	110	150	03.15-06.24	■
2.0 TDI (DFGA)	PR 1KU, PR 1KZ, PR 2EI, PR 2EM, discØ 300	Diesel	FWD	1968	110	150	03.15-06.24	■

## LISTA DE APLICACIONES - BUYERS GUIDE

2.0 TDI (DSRA)	PR 1KU, PR 1KZ, PR 2EI, PR 2EM, discØ 300	Diesel	FWD	1968	110	150	03.15-06.24	■	
2.0 TDI (DSRB)	PR 1KU, PR 1KZ, PR 2EI, PR 2EM, discØ 300	Diesel	FWD	1968	110	150	03.15-06.24	■	
2.0 TDI		Diesel	FWD	1968	110	150	03.15-	■	
2.0 TDI 4x4 (CRLB)	PR 1KU, PR 1KZ, PR 2EI, PR 2EM, discØ 300	Diesel	4WD	1968	110	150	03.15-06.24	■	
2.0 TDI 4x4 (DFEA)	PR 1KU, PR 1KZ, PR 2EI, PR 2EM, discØ 300	Diesel	4WD	1968	110	150	03.15-06.24	■	
2.0 TDI 4x4 (DFGA)	PR 1KU, PR 1KZ, PR 2EI, PR 2EM, discØ 300	Diesel	4WD	1968	110	150	03.15-06.24	■	
2.0 TDI (DDAA)	PR 1KU, PR 1KZ, PR 2ER, PR 2EV, discØ 310	Diesel	FWD	1968	140	190	03.15-06.24	■	
2.0 TDI (DFCA)	PR 1KU, PR 1KZ, PR 2ER, PR 2EV, discØ 310	Diesel	FWD	1968	140	190	03.15-06.24	■	
2.0 TDI (DFHA)	PR 1KU, PR 1KZ, PR 2ER, PR 2EV, discØ 310	Diesel	FWD	1968	140	190	03.15-06.24	■	
2.0 TDI 4x4 (DDAA)	PR 1KU, PR 1KZ, PR 2ER, PR 2EV, discØ 310, discØ 300	Diesel	4WD	1968	140	190	03.15-06.24	■	
2.0 TDI 4x4 (DFCA)	PR 1KU, PR 1KZ, PR 2ER, PR 2EV, discØ 310, discØ 300	Diesel	4WD	1968	140	190	03.15-06.24	■	
2.0 TDI 4x4 (DFHA)	PR 1KU, PR 1KZ, PR 2ER, PR 2EV, discØ 310, discØ 300	Diesel	4WD	1968	140	190	03.15-06.24	■	
2.0 TDI (DTUA)	discØ 310, PR 1KZ, PR 2ER, PR 2EV, discØ 300, PR 1KU, PR 2EM	Diesel	FWD	1968	147	200	09.20-06.24	■	
2.0 TDI 4x4 (DTUA)	discØ 310, PR 1KZ, PR 2ER, PR 2EV   discØ 300, PR 1KU, PR 2EM	Diesel	4WD	1968	147	200	09.20-06.24	■	
<b>SUPERB III (3V3) 03.15-</b>						<b>Hatchback (Executive car-E Segment)</b>			
1.4 TSI (CZCA)	PR 1KJ, PR 1KY, PR 2ED, discØ 300, PR 1KU, PR 2EI, PR 2EM	Gasolina	FWD	1395	92	125	03.15-06.24	■	
1.4 TSI (CZDA)	PR 1KJ, PR 1KY, PR 2ED, discØ 300, PR 1KU, PR 2EI, PR 2EM	Gasolina	FWD	1395	110	150	03.15-06.24	■	
1.4 TSI (CZEA)	PR 1KJ, PR 1KY, PR 2ED, discØ 300, PR 1KU, PR 2EI, PR 2EM	Gasolina	FWD	1395	110	150	03.15-06.24	■	
1.4 TSI 4x4 (CZEA)	PR 1KJ, PR 1KY, PR 2ED, discØ 300, PR 1KU, PR 2EI, PR 2EM	Gasolina	4WD	1395	110	150	03.15-06.24	■	
1.5 TSI (DADA)	discØ 300, PR 1KU, PR 2EI, PR 2EM	Gasolina	FWD	1498	110	150	02.17-06.24	■	
1.5 TSI (DPCA)	discØ 300, PR 1KU, PR 2EI, PR 2EM	Gasolina	FWD	1498	110	150	02.17-06.24	■	
1.8 TSI (CJSA)	PR 1KJ, PR 1KY, PR 2ED, discØ 300, PR 1KU, PR 2EI, PR 2EM	Gasolina	FWD	1798	132	180	03.15-06.24	■	
1.8 TSI (CJSC)	PR 1KJ, PR 1KY, PR 2ED, discØ 300, PR 1KU, PR 2EI, PR 2EM	Gasolina	FWD	1798	132	180	03.15-06.24	■	
2.0 TSI (CZPB)	discØ 310, PR 1KZ, PR 2ER, PR 2EV	Gasolina	FWD	1984	140	190	07.19-06.24	■	
2.0 TSI (DKZA)	discØ 310, PR 1KZ, PR 2ER, PR 2EV	Gasolina	FWD	1984	140	190	07.19-06.24	■	
2.0 TSI (DNNA)	discØ 310, PR 1KZ, PR 2ER, PR 2EV	Gasolina	FWD	1984	140	190	07.19-06.24	■	
2.0 TFSI (CHHB)	PR 1KJ, PR 1KY, PR 2ED, PR 1KZ, PR 2ER, PR 2EV, discØ 310, discØ 300	Gasolina	FWD	1984	162	220	03.15-06.24	■	
2.0 TSI 4x4 (DNUA)	discØ 310, PR 1KZ, PR 2ER, PR 2EV, discØ 300	Gasolina	4WD	1984	200	272	03.15-06.24	■	
2.0 TFSI 4x4 (CJXA)	PR 1KJ, PR 1KY, PR 2ED, PR 1KZ, PR 2ER, PR 2EV, discØ 310, discØ 300	Gasolina	4WD	1984	206	280	03.15-06.24	■	
2.0 TFSI 4x4 (DNFE)	PR 1KJ, PR 1KY, PR 2ED, PR 1KZ, PR 2ER, PR 2EV, discØ 310, discØ 300	Gasolina	4WD	1984	206	280	03.15-06.24	■	
1.4 TSI iV (DGEB)	discØ 300, PR 1KU, PR 2EI, PR 2EM	Gasol./el éc.	FWD	1395	115	156	08.19-	■	

# LISTA DE APLICACIONES - BUYERS GUIDE

1.4 TSI iV	discØ 300, PR 1KU, PR 2EI, PR 2EM	Gasol./el éc.	FWD	1395	160	218	08.19-06.24	■
1.6 TDI (DCXA)	PR 1KJ, PR 1KY, PR 2ED, discØ 300, PR 1KU, PR 2EI, PR 2EM	Diesel	FWD	1598	88	120	03.15-06.24	■
1.6 TDI (DCZA)	PR 1KJ, PR 1KY, PR 2ED, discØ 300, PR 1KU, PR 2EI, PR 2EM	Diesel	FWD	1598	88	120	03.15-06.24	■
2.0 TDI	discØ 300, PR 1KU, PR 2EI, PR 2EM   discØ 310, PR 1KZ	Diesel	FWD	1968	90	122	07.20-06.24	■
2.0 TDI (CRLB)	PR 1KJ, PR 1KY, PR 2ED, discØ 300, PR 1KU, PR 2EI, PR 2EM	Diesel	FWD	1968	110	150	03.15-06.24	■
2.0 TDI (DFEA)	PR 1KJ, PR 1KY, PR 2ED, discØ 300, PR 1KU, PR 2EI, PR 2EM	Diesel	FWD	1968	110	150	03.15-06.24	■
2.0 TDI (DFGA)	PR 1KJ, PR 1KY, PR 2ED, discØ 300, PR 1KU, PR 2EI, PR 2EM	Diesel	FWD	1968	110	150	03.15-06.24	■
2.0 TDI (DSRA)	PR 1KJ, PR 1KY, PR 2ED, discØ 300, PR 1KU, PR 2EI, PR 2EM	Diesel	FWD	1968	110	150	03.15-06.24	■
2.0 TDI (DSRB)	PR 1KJ, PR 1KY, PR 2ED, discØ 300, PR 1KU, PR 2EI, PR 2EM	Diesel	FWD	1968	110	150	03.15-06.24	■
2.0 TDI		Diesel	FWD	1968	110	150	10.20-	■
2.0 TDI 4x4 (CRLB)	PR 1KJ, PR 1KY, PR 2ED, discØ 300, PR 1KU, PR 2EI, PR 2EM	Diesel	4WD	1968	110	150	03.15-06.24	■
2.0 TDI 4x4 (DFEA)	PR 1KJ, PR 1KY, PR 2ED, discØ 300, PR 1KU, PR 2EI, PR 2EM	Diesel	4WD	1968	110	150	03.15-06.24	■
2.0 TDI 4x4 (DFGA)	PR 1KJ, PR 1KY, PR 2ED, discØ 300, PR 1KU, PR 2EI, PR 2EM	Diesel	4WD	1968	110	150	03.15-06.24	■
2.0 TDI (DDAA)	PR 1KJ, PR 1KY, PR 2ED, PR 1KZ, PR 2ER, PR 2EV, discØ 310, discØ 300	Diesel	FWD	1968	140	190	03.15-06.24	■
2.0 TDI (DFCA)	PR 1KJ, PR 1KY, PR 2ED, PR 1KZ, PR 2ER, PR 2EV, discØ 310, discØ 300	Diesel	FWD	1968	140	190	03.15-06.24	■
2.0 TDI (DFHA)	PR 1KJ, PR 1KY, PR 2ED, PR 1KZ, PR 2ER, PR 2EV, discØ 310, discØ 300	Diesel	FWD	1968	140	190	03.15-06.24	■
2.0 TDI 4x4 (DDAA)	PR 1KJ, PR 1KY, PR 2ED, PR 1KZ, PR 2ER, PR 2EV, discØ 310	Diesel	4WD	1968	140	190	03.15-06.24	■
2.0 TDI 4x4 (DFCA)	PR 1KJ, PR 1KY, PR 2ED, PR 1KZ, PR 2ER, PR 2EV, discØ 310	Diesel	4WD	1968	140	190	03.15-06.24	■
2.0 TDI 4x4 (DFHA)	PR 1KJ, PR 1KY, PR 2ED, PR 1KZ, PR 2ER, PR 2EV, discØ 310	Diesel	4WD	1968	140	190	03.15-06.24	■
2.0 TDI (DTUA)	discØ 310, PR 1KZ, PR 2EV, discØ 300, PR 1KU, PR 2EM	Diesel	FWD	1968	147	200	09.20-06.24	■
2.0 TDI 4x4 (DTUA)	discØ 310, PR 1KZ, PR 2ER, PR 2EV, discØ 300, PR 1KU, PR 2EM	Diesel	4WD	1968	147	200	09.20-06.24	■

## VW

<b>ARTEON (3H7, 3H8) 03.17-</b>								<b>Hatchback (Large family car-D Segment)</b>
1.5 TSI (DADA)	PR 1KU, PR 1KZ	Gasolina	FWD	1498	110	150	11.17-	■
1.5 TSI (DPCA)	PR 1KU, PR 1KZ	Gasolina	FWD	1498	110	150	11.17-	■
2.0 TSI (CZPB)	PR 1KU, PR 1KZ	Gasolina	FWD	1984	140	190	05.17-06.21	■
2.0 TSI (DKZA)	PR 1KU, PR 1KZ	Gasolina	FWD	1984	140	190	05.17-06.21	■
2.0 TSI 4motion (DLRB)	PR 1KU, PR 1KZ, PR 2ER, discØ 310	Gasolina	4WD	1984	200	272	04.18-	■
2.0 TSI 4motion (DNUA)	PR 1KU, PR 1KZ, PR 2ER, discØ 310	Gasolina	4WD	1984	200	272	04.18-	■
2.0 TSI 4motion (DJHC)	PR 1KU, PR 1KZ, PR 2ER, discØ 310	Gasolina	4WD	1984	206	280	04.17-	■

# LISTA DE APLICACIONES - BUYERS GUIDE

2.0 TSi R 4motion	PR 1KF	Gasolina	4WD	1984	235	320	11.20-	■
1.4 eHybrid	discØ 300, PR 1KU, PR 2EM	Gasol./el éc.	FWD	1395	160	218	11.20-	■
2.0 TDI (DBGA)	PR 1KU, PR 1KZ, PR 2EM, discØ 300	Diesel	FWD	1968	110	150	03.17-	■
2.0 TDI (DFGA)	PR 1KU, PR 1KZ, PR 2EM, discØ 300	Diesel	FWD	1968	110	150	03.17-	■
2.0 TDI (DSRA)	PR 1KU, PR 1KZ, PR 2EM, discØ 300	Diesel	FWD	1968	110	150	03.17-	■
2.0 TDI (DSRB)	PR 1KU, PR 1KZ, PR 2EM, discØ 300	Diesel	FWD	1968	110	150	03.17-	■
2.0 TDI (DTSA)	PR 1KU, PR 1KZ, PR 2EM, discØ 300	Diesel	FWD	1968	110	150	03.17-	■
2.0 TDI (DTSB)	PR 1KU, PR 1KZ, PR 2EM, discØ 300	Diesel	FWD	1968	110	150	03.17-	■
2.0 TDI	PR 1KU, PR 1KZ	Diesel	FWD	1968	130	177	11.17-	■
2.0 TDI (DFHA)	PR 1KU, PR 1KZ, PR 2EM, discØ 300	Diesel	FWD	1968	140	190	05.17-	■
2.0 TDI 4motion (DFHA)	PR 1KU, PR 1KZ, PR 2EM, discØ 300	Diesel	4WD	1968	140	190	05.17-	■
2.0 TDI	PR 1KU, PR 1KZ, PR 2EM, discØ 300	Diesel	FWD	1968	147	200	09.20-	■
2.0 TDI 4motion	PR 1KU, PR 1KZ, PR 2EM, discØ 300	Diesel	4WD	1968	147	200	09.20-	■
2.0 TDI 4motion (CUAA)	PR 1KU, PR 1KZ, PR 2ER, discØ 310	Diesel	4WD	1968	176	240	03.17-07.20	■
<b>ARTEON SHOOTING BRAKE (3H9) 06.20-</b>				<b>Estate (Large family car-D Segment)</b>				
1.5 TSI (DADA)	PR 1KU, PR 1KZ	Gasolina	FWD	1498	110	150	08.20-	■
1.5 TSI (DPCA)	PR 1KU, PR 1KZ	Gasolina	FWD	1498	110	150	08.20-	■
2.0 TSI	PR 1KU, PR 2EM, discØ 300	Gasolina	FWD	1984	140	190	09.20-06.21	■
2.0 TSI 4motion	PR 1KU, PR 1KZ, PR 2ER, discØ 310	Gasolina	4WD	1984	140	190	06.20-	■
2.0 TSI 4motion (DLRB)	PR 1KU, PR 1KZ, PR 2ER, discØ 310	Gasolina	4WD	1984	200	272	06.20-	■
2.0 TSI 4motion	PR 1KU, PR 1KZ, PR 2ER, discØ 310	Gasolina	4WD	1984	206	280	06.20-	■
2.0 TSi R 4motion	PR 1KU, PR 1KZ, PR 2ER, discØ 310   PR 1KF	Gasolina	4WD	1984	235	320	11.20-	■
1.4 eHybrid	discØ 300, PR 1KU, PR 2EM	Gasol./el éc.	FWD	1395	160	218	11.20-	■
2.0 TDI (DSRA)	PR 1KU, PR 1KZ, PR 2EM, discØ 300	Diesel	FWD	1968	110	150	09.20-	■
2.0 TDI (DSRB)	PR 1KU, PR 1KZ, PR 2EM, discØ 300	Diesel	FWD	1968	110	150	09.20-	■
2.0 TDI (DTSB)	PR 1KU, PR 1KZ, PR 2EM, discØ 300	Diesel	FWD	1968	110	150	09.20-	■
2.0 TDI (DFHA)	PR 1KU, PR 1KZ, PR 2EM, discØ 300	Diesel	FWD	1968	140	190	09.20-	■
2.0 TDI 4motion (DFHA)	PR 1KU, PR 1KZ, PR 2EM, discØ 300	Diesel	4WD	1968	140	190	09.20-	■
2.0 TDI 4motion		Diesel	4WD	1968	142	193	02.24-	■
2.0 TDI	PR 1KU, PR 1KZ, PR 2EM, discØ 300	Diesel	FWD	1968	147	200	09.20-	■
2.0 TDI 4motion (DTUA)	PR 1KU, PR 1KZ, PR 2EM, discØ 300	Diesel	4WD	1968	147	200	09.20-	■
<b>ATLAS (CA1, CA2, CA3) 12.16-</b>				<b>SUV (Large SUV-J Segment)</b>				
2.0 TSI 4motion (CXDA)		Gasolina	4WD	1984	162	220	12.17-	■
2.0 TSI	PR 1KZ, PR 2ER	Gasolina	FWD	1984	175	238	07.17-05.23	■
3.6 FSI 4motion (CDVD)		Gasolina	4WD	3598	183	249	01.19-	■
3.6 FSI	PR 1KZ	Gasolina	FWD	3598	206	280	12.17-	■
3.6 FSI 4motion (CDVC)	PR 1KZ	Gasolina	4WD	3598	206	280	12.16-	■
<b>ATLAS CROSS SPORT (CMC, CMD) 08.19-</b>				<b>Closed Off-Road Vehicle (Compact SUV-J Segment)</b>				
2.0 TSI	PR 1KZ, PR 2ER	Gasolina	FWD	1984	175	238	08.19-	■

# LISTA DE APLICACIONES - BUYERS GUIDE

2.0 TSI 4motion	PR 1KZ, PR 2ER	Gasolina	4WD	1984	175	238	08.19-	■	
3.6 FSI	PR 1KZ, PR 2ER	Gasolina	FWD	3598	206	280	08.19-	■	
3.6 FSI 4motion	PR 1KZ, PR 2ER	Gasolina	4WD	3598	206	280	08.19-	■	
<b>GOLF VII / JETTA VII (5G1, BQ1) 08.12-</b>							<b>Hatchback Van (Compact car-C Segment)</b>		
1.2 TSI (CJZB)	-09/15, Rim 17, PR 1KV, discØ 300, PR 1KJ, PR 1KY, discØ 310	Gasolina	FWD	1197	63	86	08.12-03.17	■	
1.2 TSI (CJZA)	-09/15, Rim 17, PR 1KV, discØ 300, PR 1KJ, PR 1KY, discØ 310	Gasolina	FWD	1197	77	105	11.12-03.17	■	
1.4 TSI (CXSA)	-09/15, Rim 17, PR 1KV, discØ 300, PR 1KJ, PR 1KY, discØ 310	Gasolina	FWD	1395	90	122	05.13-03.17	■	
1.4 TSI (CHPA)	-09/15, Rim 17, PR 1KV, discØ 300, PR 1KJ, PR 1KY, discØ 310	Gasolina	FWD	1395	103	140	08.12-03.17	■	
2.0 GTI (CHHB)	-09/15, Rim 17, PR 1KV, discØ 300, PR 1KJ, PR 1KY, discØ 310	Gasolina	FWD	1984	162	220	04.13-03.17	■	
2.0 GTI (CHHA)	-09/15, Rim 17, PR 1KV, discØ 300, PR 1KJ, PR 1KY, discØ 310	Gasolina	FWD	1984	169	230	04.15-03.17	■	
1.6 TDI (CRKA)	Rim 17, PR 1KV, discØ 300, PR 1KJ, PR 1KY, discØ 310	Diesel	FWD	1598	66	90	04.13-03.17	■	
1.6 TDI (CLHA)	-09/15, Rim 17, PR 1KV, discØ 300, PR 1KJ, PR 1KY, discØ 310	Diesel	FWD	1598	77	105	08.12-03.17	■	
1.6 TDI (CRKB)	-09/15, Rim 17, PR 1KV, discØ 300, PR 1KJ, PR 1KY, discØ 310	Diesel	FWD	1598	81	110	11.13-03.17	■	
1.6 TDI (CXXB)	-09/15, Rim 17, PR 1KV, discØ 300, PR 1KJ, PR 1KY, discØ 310	Diesel	FWD	1598	81	110	11.13-03.17	■	
2.0 TDI	Rim 17, PR 1KV, discØ 300, PR 1KJ, PR 1KY, discØ 310	Diesel	FWD	1968	110	150	05.13-05.14	■	
2.0 TDI 4motion (CRBC)	Rim 17, PR 1KV, discØ 300, PR 1KJ, PR 1KY, discØ 310	Diesel	4WD	1968	110	150	05.13-05.14	■	
2.0 GTD (CUNA)	-09/15, Rim 17, PR 1KV, discØ 300, PR 1KJ, PR 1KY, discØ 310	Diesel	FWD	1968	135	184	04.13-03.17	■	
<b>GOLF VII / JETTA VII (5G1, BQ1, BE1, BE2) 08.12-</b>							<b>Hatchback (Compact car-C Segment)</b>		
1.0 TSI (CHZK)	PR 1KJ, PR 1KV, PR 1KY, elec.brake detention, PR 2ES	Gasolina	FWD	999	63	86	01.17-07.19	■	
1.0 TSI (DKLB)	PR 1KJ, PR 1KV, PR 1KY, elec.brake detention, PR 2ES	Gasolina	FWD	999	63	86	01.17-07.19	■	
1.0 TSI (CHZC)	PR 1KJ, PR 1KV, PR 1KY, elec.brake detention, PR 2ES	Gasolina	FWD	999	81	110	11.16-08.20	■	
1.0 TSI (CHZD)	PR 1KJ, PR 1KV, PR 1KY	Gasolina	FWD	999	85	115	05.15-08.20	■	
1.0 TSI (DKRF)	PR 1KJ, PR 1KV, PR 1KY	Gasolina	FWD	999	85	115	05.15-08.20	■	
1.2 TSI (CJZB)	-09/15, Rim 17, PR 1KV, discØ 300, PR 1KJ, PR 1KY, discØ 310	Gasolina	FWD	1197	63	86	08.12-03.17	■	
1.2 TSI (CYVA)	-09/15, Rim 17, PR 1KV, discØ 300, PR 1KJ, PR 1KY, discØ 310	Gasolina	FWD	1197	63	86	08.12-03.17	■	
1.2 TSI (CJZA)	-09/15, Rim 17, PR 1KV, discØ 300, PR 1KJ, PR 1KY, discØ 310	Gasolina	FWD	1197	77	105	11.12-08.20	■	
1.2 TSI (CYVB)	-09/15, Rim 17, PR 1KV, discØ 300, PR 1KJ, PR 1KY, discØ 310	Gasolina	FWD	1197	81	110	04.14-03.17	■	
1.4 TSI (CMBA)	-09/15, Rim 17, PR 1KV, discØ 300, PR 1KJ, PR 1KY, discØ 310	Gasolina	FWD	1395	90	122	11.12-03.17	■	
1.4 TSI (CXSA)	-09/15, Rim 17, PR 1KV, discØ 300, PR 1KJ, PR 1KY, discØ 310	Gasolina	FWD	1395	90	122	11.12-03.17	■	
1.4 TSI (CZCA)	-09/15, Rim 17, PR 1KV, discØ 300, PR 1KJ, PR 1KY, discØ 310	Gasolina	FWD	1395	92	125	05.14-08.20	■	

## LISTA DE APLICACIONES - BUYERS GUIDE

1.4 TSI (CHPA)	-09/15, Rim 17, PR 1KV, discØ 300, PR 1KJ, PR 1KY, discØ 310	Gasolina	FWD	1395	103	140	08.12-08.20	■
1.4 TSI (CPTA)	-09/15, Rim 17, PR 1KV, discØ 300, PR 1KJ, PR 1KY, discØ 310	Gasolina	FWD	1395	103	140	08.12-08.20	■
1.4 TSI (CHPB)	-09/15, Rim 17, PR 1KV, discØ 300, PR 1KJ, PR 1KY, discØ 310	Gasolina	FWD	1395	110	150	05.14-03.21	■
1.4 TSI (CZDA)	-09/15, Rim 17, PR 1KV, discØ 300, PR 1KJ, PR 1KY, discØ 310	Gasolina	FWD	1395	110	150	05.14-03.21	■
1.4 TSI (CZEA)	-09/15, Rim 17, PR 1KV, discØ 300, PR 1KJ, PR 1KY, discØ 310	Gasolina	FWD	1395	110	150	05.14-03.21	■
1.4 TSI (DGXA)	-09/15, Rim 17, PR 1KV, discØ 300, PR 1KJ, PR 1KY, discØ 310	Gasolina	FWD	1395	110	150	05.14-03.21	■
1.5 TSI (DACA)	discØ 300, PR 1KV	Gasolina	FWD	1495	96	130	05.17-08.20	■
1.5 TSI (DADA)	discØ 300, PR 1KV	Gasolina	FWD	1498	110	150	04.17-08.20	■
1.5 TSI (DPCA)	discØ 300, PR 1KV	Gasolina	FWD	1498	110	150	04.17-08.20	■
1.6 (CWVA)	-09/15, Rim 17, PR 1KV, discØ 300, PR 1KJ, PR 1KY, discØ 310	Gasolina	FWD	1598	81	110	05.14-07.17	■
2.0 GTI (CNTA)	-09/15, Rim 17, PR 1KV, discØ 300, PR 1KJ, PR 1KY, discØ 310	Gasolina	FWD	1984	155	210	11.13-07.17	■
2.0 GTI (CXCA)	-09/15, Rim 17, PR 1KV, discØ 300, PR 1KJ, PR 1KY, discØ 310	Gasolina	FWD	1984	155	210	11.13-07.17	■
2.0 GTI (CHHB)	-09/15, Rim 17, PR 1KV, discØ 300, PR 1KJ, PR 1KY, discØ 310	Gasolina	FWD	1984	162	220	04.13-08.20	■
2.0 GTI (CNTC)	-09/15, Rim 17, PR 1KV, discØ 300, PR 1KJ, PR 1KY, discØ 310	Gasolina	FWD	1984	162	220	04.13-08.20	■
2.0 GTI (CXCB)	-09/15, Rim 17, PR 1KV, discØ 300, PR 1KJ, PR 1KY, discØ 310	Gasolina	FWD	1984	162	220	04.13-08.20	■
2.0 GTI (CXDA)	-09/15, Rim 17, PR 1KV, discØ 300, PR 1KJ, PR 1KY, discØ 310	Gasolina	FWD	1984	162	220	04.13-08.20	■
2.0 GTI (CHHA)	-09/15, Rim 17, PR 1KV, discØ 300, PR 1KJ, PR 1KY, discØ 310	Gasolina	FWD	1984	169	230	04.13-08.20	■
2.0 GTI (CXDB)	-09/15, Rim 17, PR 1KV, discØ 300, PR 1KJ, PR 1KY, discØ 310	Gasolina	FWD	1984	169	230	04.13-08.20	■
2.0 GTI (DKTB)	discØ 310, PR 1KJ	Gasolina	FWD	1984	180	245	03.17-08.20	■
2.0 GTI (DLBA)	discØ 310, PR 1KJ	Gasolina	FWD	1984	180	245	03.17-08.20	■
2.0 GTI Clubsport (CJXE)	Rim 17, PR 1KV, discØ 300, PR 1KJ, PR 1KY, discØ 310	Gasolina	FWD	1984	195	265	02.16-03.17	■
2.0 R 4motion (CJXB)	-09/15, Rim 17, PR 1KV, discØ 300, PR 1KJ, PR 1KY, discØ 310	Gasolina	4WD	1984	206	280	11.13-03.17	■
2.0 GTI TCR (CJXH)	PR 1KJ	Gasolina	FWD	1984	213	290	11.18-08.20	■
2.0 GTI TCR (DNUC)	PR 1KJ	Gasolina	FWD	1984	213	290	11.18-08.20	■
2.0 R	-09/15, Rim 17, PR 1KV, discØ 300, PR 1KJ, PR 1KY, discØ 310	Gasolina	FWD	1984	213	290	11.13-	■
2.0 R 4motion (CJXD)		Gasolina	4WD	1984	213	290	12.16-08.20	■
2.0 R 4motion (DJHB)		Gasolina	4WD	1984	213	290	12.16-08.20	■
2.0 R 4motion (DNUC)		Gasolina	4WD	1984	213	290	12.16-08.20	■
2.0 R 4motion (CYFB)	-09/15, Rim 17, PR 1KV, discØ 300, PR 1KJ, PR 1KY, discØ 310	Gasolina	4WD	1984	215	292	11.14-07.19	■
2.0 R 4motion (DJJA)	-09/15, Rim 17, PR 1KV, discØ 300, PR 1KJ, PR 1KY, discØ 310	Gasolina	4WD	1984	215	292	11.14-07.19	■

# LISTA DE APLICACIONES - BUYERS GUIDE

2.0 R 4motion (DLRA)	-09/15, Rim 17, PR 1KV, discØ 300, PR 1KJ, PR 1KY, discØ 310	Gasolina	4WD	1984	215	292	11.14-07.19	■
2.0 R 4motion (CJXC)	-09/15, Rim 17, PR 1KV, discØ 300, PR 1KJ, PR 1KY, discØ 310	Gasolina	4WD	1984	221	300	11.13-08.20	■
2.0 R 4motion (DNUE)	-09/15, Rim 17, PR 1KV, discØ 300, PR 1KJ, PR 1KY, discØ 310	Gasolina	4WD	1984	221	300	11.13-08.20	■
2.0 GTI Clubsport S (CJXG)	Rim 17, PR 1KV, discØ 300, PR 1KJ, PR 1KY, discØ 310	Gasolina	FWD	1984	228	310	09.16-03.17	■
2.0 R 4motion (CJXG)		Gasolina	4WD	1984	228	310	12.16-08.20	■
2.0 R 4motion (DJHA)		Gasolina	4WD	1984	228	310	12.16-08.20	■
2.0 R 360S 4motion (CJXC)	Rim 17, PR 1KV, discØ 300, PR 1KJ, PR 1KY, PR E14, discØ 310	Gasolina	4WD	1984	265	360	09.16-03.17	■
1.4 TGI CNG (CPWA)	-09/15, Rim 17, PR 1KV, discØ 300, PR 1KJ, PR 1KY, discØ 310	Gasol./Gas (CNG)	FWD	1395	81	110	06.13-07.18	■
1.4 TGI CNG (CZBA)	-09/15, Rim 17, PR 1KV, discØ 300, PR 1KJ, PR 1KY, discØ 310	Gasol./Gas (CNG)	FWD	1395	81	110	06.13-07.18	■
1.5 TGI (DHFA)		Gasol./Gas (CNG)	FWD	1498	96	130	11.18-08.20	■
1.4 TSI MultiFuel (CPVA)	-09/15, Rim 17, PR 1KV, discØ 300, PR 1KJ, PR 1KY, discØ 310	Gasol./Etanol	FWD	1395	90	122	11.12-03.17	■
1.4 TSI MultiFuel (CPVB)	-09/15, Rim 17, PR 1KV, discØ 300, PR 1KJ, PR 1KY, discØ 310	Gasol./Etanol	FWD	1395	92	125	12.13-07.18	■
1.4 GTE Hybrid		Gasol./eléc.	FWD	1395	110	150	07.19-08.20	■
1.4 GTE Hybrid (CUKB)	-09/15, Rim 17, PR 1KV, discØ 300, PR 1KJ, PR 1KY, discØ 310	Gasol./eléc.	FWD	1395	150	204	05.14-08.20	■
1.6 TDI (CLHB)	-09/15, Rim 17, PR 1KV, discØ 300, PR 1KJ, PR 1KY, discØ 310	Diesel	FWD	1598	66	90	04.13-07.18	■
1.6 TDI (CRKA)	-09/15, Rim 17, PR 1KV, discØ 300, PR 1KJ, PR 1KY, discØ 310	Diesel	FWD	1598	66	90	04.13-07.18	■
1.6 TDI (CXXA)	-09/15, Rim 17, PR 1KV, discØ 300, PR 1KJ, PR 1KY, discØ 310	Diesel	FWD	1598	66	90	04.13-07.18	■
1.6 TDI (DDYB)	-09/15, Rim 17, PR 1KV, discØ 300, PR 1KJ, PR 1KY, discØ 310	Diesel	FWD	1598	66	90	04.13-07.18	■
1.6 TDI (CLHA)	-09/15, Rim 17, PR 1KV, discØ 300, PR 1KJ, PR 1KY, discØ 310	Diesel	FWD	1598	77	105	08.12-03.17	■
1.6 TDI 4motion (CLHA)	-09/15, Rim 17, PR 1KV, discØ 300, PR 1KJ, PR 1KY, discØ 310	Diesel	4WD	1598	77	105	11.12-03.17	■
1.6 TDI (CRKB)	-09/15, Rim 17, PR 1KV, discØ 300, PR 1KJ, PR 1KY, discØ 310	Diesel	FWD	1598	81	110	01.13-03.17	■
1.6 TDI (CXXB)	-09/15, Rim 17, PR 1KV, discØ 300, PR 1KJ, PR 1KY, discØ 310	Diesel	FWD	1598	81	110	01.13-03.17	■
1.6 TDI (DBKA)	-09/15, Rim 17, PR 1KV, discØ 300, PR 1KJ, PR 1KY, discØ 310	Diesel	FWD	1598	81	110	01.13-03.17	■
1.6 TDI 4motion (CRKB)	-09/15, Rim 17, PR 1KV, discØ 300, PR 1KJ, PR 1KY, discØ 310	Diesel	4WD	1598	81	110	01.13-03.17	■
1.6 TDI 4motion (CXXB)	-09/15, Rim 17, PR 1KV, discØ 300, PR 1KJ, PR 1KY, discØ 310	Diesel	4WD	1598	81	110	01.13-03.17	■
1.6 TDI (DDYA)	PR 1KJ, PR 1KV, PR 1KY, elec.brake detention, PR 2ES	Diesel	FWD	1598	85	115	11.16-08.20	■
1.6 TDI (DGTE)	PR 1KJ, PR 1KV, PR 1KY, elec.brake detention, PR 2ES	Diesel	FWD	1598	85	115	11.16-08.20	■

## LISTA DE APLICACIONES - BUYERS GUIDE

2.0 TDI (CRLD)	-09/15, Rim 17, PR 1KV, discØ 300, PR 1KJ, PR 1KY, discØ 310	Diesel	FWD	1968	81	110	11.12-08.20	■
2.0 TDI (CRVA)	-09/15, Rim 17, PR 1KV, discØ 300, PR 1KJ, PR 1KY, discØ 310	Diesel	FWD	1968	81	110	11.12-08.20	■
2.0 TDI (CYKB)	-09/15, Rim 17, PR 1KV, discØ 300, PR 1KJ, PR 1KY, discØ 310	Diesel	FWD	1968	81	110	11.12-08.20	■
2.0 TDI (DCYB)	-09/15, Rim 17, PR 1KV, discØ 300, PR 1KJ, PR 1KY, discØ 310	Diesel	FWD	1968	81	110	11.12-08.20	■
2.0 TDI (DEJB)	-09/15, Rim 17, PR 1KV, discØ 300, PR 1KJ, PR 1KY, discØ 310	Diesel	FWD	1968	81	110	11.12-08.20	■
2.0 TDI (DFGB)	-09/15, Rim 17, PR 1KV, discØ 300, PR 1KJ, PR 1KY, discØ 310	Diesel	FWD	1968	81	110	11.12-08.20	■
2.0 TDI (CRBB)	-09/15, Rim 17, PR 1KV, discØ 300, PR 1KJ, PR 1KY, discØ 310	Diesel	FWD	1968	105	143	08.12-08.20	■
2.0 TDI (CRVC)	-09/15, Rim 17, PR 1KV, discØ 300, PR 1KJ, PR 1KY, discØ 310	Diesel	FWD	1968	105	143	08.12-08.20	■
2.0 TDI (CRBC)	-09/15, Rim 17, PR 1KV, discØ 300, PR 1KJ, PR 1KY, discØ 310	Diesel	FWD	1968	110	150	08.12-08.20	■
2.0 TDI (CRLB)	-09/15, Rim 17, PR 1KV, discØ 300, PR 1KJ, PR 1KY, discØ 310	Diesel	FWD	1968	110	150	08.12-08.20	■
2.0 TDI (CRMB)	-09/15, Rim 17, PR 1KV, discØ 300, PR 1KJ, PR 1KY, discØ 310	Diesel	FWD	1968	110	150	08.12-08.20	■
2.0 TDI (CRUA)	-09/15, Rim 17, PR 1KV, discØ 300, PR 1KJ, PR 1KY, discØ 310	Diesel	FWD	1968	110	150	08.12-08.20	■
2.0 TDI (DCYA)	-09/15, Rim 17, PR 1KV, discØ 300, PR 1KJ, PR 1KY, discØ 310	Diesel	FWD	1968	110	150	08.12-08.20	■
2.0 TDI (DEJA)	-09/15, Rim 17, PR 1KV, discØ 300, PR 1KJ, PR 1KY, discØ 310	Diesel	FWD	1968	110	150	08.12-08.20	■
2.0 TDI (DFGA)	-09/15, Rim 17, PR 1KV, discØ 300, PR 1KJ, PR 1KY, discØ 310	Diesel	FWD	1968	110	150	08.12-08.20	■
2.0 TDI 4motion (CKFC)	-09/15, Rim 17, PR 1KV, discØ 300, PR 1KJ, PR 1KY, discØ 310	Diesel	4WD	1968	110	150	11.12-08.20	■
2.0 TDI 4motion (CRBC)	-09/15, Rim 17, PR 1KV, discØ 300, PR 1KJ, PR 1KY, discØ 310	Diesel	4WD	1968	110	150	11.12-08.20	■
2.0 TDI 4motion (CRLB)	-09/15, Rim 17, PR 1KV, discØ 300, PR 1KJ, PR 1KY, discØ 310	Diesel	4WD	1968	110	150	11.12-08.20	■
2.0 TDI 4motion (CRMB)	-09/15, Rim 17, PR 1KV, discØ 300, PR 1KJ, PR 1KY, discØ 310	Diesel	4WD	1968	110	150	11.12-08.20	■
2.0 TDI 4motion (DCYA)	-09/15, Rim 17, PR 1KV, discØ 300, PR 1KJ, PR 1KY, discØ 310	Diesel	4WD	1968	110	150	11.12-08.20	■
2.0 GTD	-09/15, Rim 17, PR 1KV, discØ 300, PR 1KJ, PR 1KY, discØ 310	Diesel	FWD	1968	130	177	11.16-	■
2.0 GTD (CUNA)	-09/15, Rim 17, PR 1KV, discØ 300, PR 1KJ, PR 1KY, discØ 310	Diesel	FWD	1968	135	184	04.13-08.20	■
2.0 GTD (DGCA)	-09/15, Rim 17, PR 1KV, discØ 300, PR 1KJ, PR 1KY, discØ 310	Diesel	FWD	1968	135	184	04.13-08.20	■
2.0 GTD (DJGA)	-09/15, Rim 17, PR 1KV, discØ 300, PR 1KJ, PR 1KY, discØ 310	Diesel	FWD	1968	135	184	04.13-08.20	■

# LISTA DE APLICACIONES - BUYERS GUIDE

<b>GOLF VII ALLTRACK Variant (BA5, BV5) 12.14-</b>						<b>Estate (Compact car-C Segment)</b>				
1.8 TSI 4motion (CJSB)	-09/15, Rim 17, PR 1KV, discØ 300, PR 1KJ, PR 1KY, PR E14, discØ 310	Gasolina	4WD	1798	132	180	12.14-08.20		■	
1.6 TDI 4motion (CRKB)	-09/15, Rim 17, PR 1KV, discØ 300, PR 1KJ, PR 1KY, PR E14, discØ 310	Diesel	4WD	1598	81	110	12.14-03.17		■	
1.6 TDI 4motion (CXXB)	-09/15, Rim 17, PR 1KV, discØ 300, PR 1KJ, PR 1KY, PR E14, discØ 310	Diesel	4WD	1598	81	110	12.14-03.17		■	
2.0 TDI 4motion (CRBC)	-09/15, Rim 17, PR 1KV, discØ 300, PR 1KJ, PR 1KY, PR E14, discØ 310	Diesel	4WD	1968	110	150	12.14-08.20		■	
2.0 TDI 4motion (CRLB)	-09/15, Rim 17, PR 1KV, discØ 300, PR 1KJ, PR 1KY, PR E14, discØ 310	Diesel	4WD	1968	110	150	12.14-08.20		■	
2.0 TDI 4motion (DCYA)	-09/15, Rim 17, PR 1KV, discØ 300, PR 1KJ, PR 1KY, PR E14, discØ 310	Diesel	4WD	1968	110	150	12.14-08.20		■	
2.0 TDI 4motion (CUNA)	-09/15, Rim 17, PR 1KV, discØ 300, PR 1KJ, PR 1KY, PR E14, discØ 310	Diesel	4WD	1968	135	184	12.14-08.20		■	
2.0 TDI 4motion (DGCA)	-09/15, Rim 17, PR 1KV, discØ 300, PR 1KJ, PR 1KY, PR E14, discØ 310	Diesel	4WD	1968	135	184	12.14-08.20		■	
2.0 TDI 4motion (DJGA)	-09/15, Rim 17, PR 1KV, discØ 300, PR 1KJ, PR 1KY, PR E14, discØ 310	Diesel	4WD	1968	135	184	12.14-08.20		■	
<b>GOLF VII VAN Variant / JETTA VII (BA5) 04.13-03.17</b>						<b>Estate Van (Compact car-C Segment)</b>				
1.2 TSI (CJZB)	-09/15, Rim 17, PR 1KV, discØ 300, PR 1KJ, PR 1KY, discØ 310	Gasolina	FWD	1197	63	86	05.13-03.17		■	
1.2 TSI (CYVA)	-09/15, Rim 17, PR 1KV, discØ 300, PR 1KJ, PR 1KY, discØ 310	Gasolina	FWD	1197	63	86	05.13-03.17		■	
1.2 TSI (CJZA)	-09/15, Rim 17, PR 1KV, discØ 300, PR 1KJ, PR 1KY, discØ 310	Gasolina	FWD	1197	77	105	04.13-03.17		■	
1.4 TSI (CXSA)	-09/15, Rim 17, PR 1KV, discØ 300, PR 1KJ, PR 1KY, discØ 310	Gasolina	FWD	1395	90	122	05.13-03.17		■	
1.4 TSI (CHPA)	-09/15, Rim 17, PR 1KV, discØ 300, PR 1KJ, PR 1KY, discØ 310	Gasolina	FWD	1395	103	140	05.13-03.17		■	
1.6 TDI (CLHB)	-09/15, Rim 17, PR 1KV, discØ 300, PR 1KJ, PR 1KY, discØ 310	Diesel	FWD	1598	66	90	05.13-03.17		■	
1.6 TDI (CRKA)	-09/15, Rim 17, PR 1KV, discØ 300, PR 1KJ, PR 1KY, discØ 310	Diesel	FWD	1598	66	90	05.13-03.17		■	
1.6 TDI (CXXA)	-09/15, Rim 17, PR 1KV, discØ 300, PR 1KJ, PR 1KY, discØ 310	Diesel	FWD	1598	66	90	05.13-03.17		■	
1.6 TDI (CLHA)	-09/15, Rim 17, PR 1KV, discØ 300, PR 1KJ, PR 1KY, discØ 310	Diesel	FWD	1598	77	105	05.13-03.17		■	
1.6 TDI 4motion (CLHA)	-09/15, Rim 17, PR 1KV, discØ 300, PR 1KJ, PR 1KY, discØ 310	Diesel	4WD	1598	77	105	05.13-03.17		■	
1.6 TDI (CRKB)	-09/15, Rim 17, PR 1KV, discØ 300, PR 1KJ, PR 1KY, discØ 310	Diesel	FWD	1598	81	110	05.13-03.17		■	
2.0 TDI (CRBC)	-09/15, Rim 17, PR 1KV, discØ 300, PR 1KJ, PR 1KY, discØ 310	Diesel	FWD	1968	110	150	04.13-03.17		■	
2.0 TDI (CRLB)	-09/15, Rim 17, PR 1KV, discØ 300, PR 1KJ, PR 1KY, discØ 310	Diesel	FWD	1968	110	150	04.13-03.17		■	
2.0 TDI 4motion (CRBC)	-09/15, Rim 17, PR 1KV, discØ 300, PR 1KJ, PR 1KY, discØ 310	Diesel	4WD	1968	110	150	04.13-03.17		■	

# LISTA DE APLICACIONES - BUYERS GUIDE

2.0 TDI 4motion (CRLB)	-09/15, Rim 17, PR 1KV, discØ 300, PR 1KJ, PR 1KY, discØ 310	Diesel	4WD	1968	110	150	04.13-03.17	■	
<b>GOLF VII Variant / JETTA VII (BA5, BV5) 04.13-</b>					<b>Estate (Compact car-C Segment)</b>				
1.0 TSI (CHZK)	PR 1KV, PR 1KY, elec.brake detention, PR 2ES	Gasolina	FWD	999	63	86	01.17-07.19	■	
1.0 TSI (DKLB)	PR 1KV, PR 1KY, elec.brake detention, PR 2ES	Gasolina	FWD	999	63	86	01.17-07.19	■	
1.0 TSI (CHZC)	PR 1KV, PR 1KY, elec.brake detention, PR 2ES	Gasolina	FWD	999	81	110	11.16-08.20	■	
1.0 TSI (CHZD)	PR 1KV, PR 1KY, PR E14	Gasolina	FWD	999	85	115	05.15-08.20	■	
1.0 TSI (DKRF)	PR 1KV, PR 1KY, PR E14	Gasolina	FWD	999	85	115	05.15-08.20	■	
1.2 TSI (CJZB)	-09/15, Rim 17, PR 1KV, discØ 300, PR 1KJ, PR 1KY, PR E14, discØ 310	Gasolina	FWD	1197	63	86	05.13-03.17	■	
1.2 TSI (CYVA)	-09/15, Rim 17, PR 1KV, discØ 300, PR 1KJ, PR 1KY, PR E14, discØ 310	Gasolina	FWD	1197	63	86	05.13-03.17	■	
1.2 TSI (CJZA)	-09/15, Rim 17, PR 1KV, discØ 300, PR 1KJ, PR 1KY, PR E14, discØ 310	Gasolina	FWD	1197	77	105	04.13-08.20	■	
1.2 TSI MultiFuel	-09/15, Rim 17, PR 1KV, discØ 300, PR 1KJ, PR 1KY, PR E14, discØ 310	Gasolina	FWD	1197	77	105	04.13-	■	
1.2 TSI (CYVB)	-09/15, Rim 17, PR 1KV, discØ 300, PR 1KJ, PR 1KY, PR E14, discØ 310	Gasolina	FWD	1197	81	110	04.14-03.17	■	
1.4 TSI BiFuel	-09/15, Rim 17, PR 1KV, discØ 300, PR 1KJ, PR 1KY, PR E14, discØ 310	Gasolina	FWD	1395	81	110	09.13-	■	
1.4 TSI (CXSA)	-09/15, Rim 17, PR 1KV, discØ 300, PR 1KJ, PR 1KY, PR E14, discØ 310	Gasolina	FWD	1395	90	122	05.13-03.17	■	
1.4 TSI (CZCA)	-09/15, Rim 17, PR 1KV, discØ 300, PR 1KJ, PR 1KY, PR E14, discØ 310	Gasolina	FWD	1395	92	125	05.14-08.20	■	
1.4 TSI (CZDD)	-09/15, Rim 17, PR 1KV, discØ 300, PR 1KJ, PR 1KY, PR E14, discØ 310	Gasolina	FWD	1395	92	125	05.14-08.20	■	
1.4 TSI (CHPA)	-09/15, Rim 17, PR 1KV, discØ 300, PR 1KJ, PR 1KY, PR E14, discØ 310	Gasolina	FWD	1395	103	140	05.13-08.20	■	
1.4 TSI (CHPB)	-09/15, Rim 17, PR 1KV, discØ 300, PR 1KJ, PR 1KY, PR E14, discØ 310	Gasolina	FWD	1395	110	150	05.14-03.21	■	
1.4 TSI (CZDA)	-09/15, Rim 17, PR 1KV, discØ 300, PR 1KJ, PR 1KY, PR E14, discØ 310	Gasolina	FWD	1395	110	150	05.14-03.21	■	
1.4 TSI (DGXA)	-09/15, Rim 17, PR 1KV, discØ 300, PR 1KJ, PR 1KY, PR E14, discØ 310	Gasolina	FWD	1395	110	150	05.14-03.21	■	
1.5 TSI (DACA)	discØ 300, PR 1KV	Gasolina	FWD	1495	96	130	07.17-08.20	■	
1.5 TSI (DPBA)	discØ 300, PR 1KV	Gasolina	FWD	1495	96	130	07.17-08.20	■	
1.5 TSI (DADA)	discØ 300, PR 1KV	Gasolina	FWD	1498	110	150	04.17-08.20	■	
1.5 TSI (DPCA)	discØ 300, PR 1KV	Gasolina	FWD	1498	110	150	04.17-08.20	■	
1.6 (CWVA)	-09/15, Rim 17, PR 1KV, discØ 300, PR 1KJ, PR 1KY, PR E14, discØ 310	Gasolina	FWD	1598	81	110	05.14-07.17	■	
1.8 TSI 4motion (CJSB)	discØ 300, PR 1KV	Gasolina	4WD	1798	132	179	11.16-08.20	■	
2.0 R 4motion (CJXB)	-09/15, Rim 17, PR 1KV, discØ 300, PR 1KJ, PR 1KY, PR E14, discØ 310	Gasolina	4WD	1984	206	280	03.15-03.17	■	
2.0 R 4motion (CJXD)		Gasolina	4WD	1984	213	290	12.16-08.20	■	
2.0 R 4motion (DJHB)		Gasolina	4WD	1984	213	290	12.16-08.20	■	
2.0 R 4motion (DNUC)		Gasolina	4WD	1984	213	290	12.16-08.20	■	
2.0 R 4motion (CJXC)	-09/15, Rim 17, PR 1KV, discØ 300, PR 1KJ, PR 1KY, PR E14, discØ 310	Gasolina	4WD	1984	221	300	03.15-08.20	■	

# LISTA DE APLICACIONES - BUYERS GUIDE

2.0 R 4motion (DNUE)	-09/15, Rim 17, PR 1KV, discØ 300, PR 1KJ, PR 1KY, PR E14, discØ 310	Gasolina	4WD	1984	221	300	03.15-08.20	■
2.0 R 4motion (CJXG)		Gasolina	4WD	1984	228	310	12.16-08.20	■
2.0 R 4motion (DJHA)		Gasolina	4WD	1984	228	310	12.16-08.20	■
2.0 R 360S 4motion (CJXC)	Rim 17, PR 1KV, discØ 300, PR 1KJ, PR 1KY, PR E14, discØ 310	Gasolina	4WD	1984	265	360	09.16-03.17	■
1.4 TGI CNG (CPWA)	-09/15, Rim 17, PR 1KV, discØ 300, PR 1KJ, PR 1KY, PR E14, discØ 310	Gasol./Gas (CNG)	FWD	1395	81	110	09.13-07.18	■
1.5 TGI (DHFA)	PR 1KJ, PR 1KV, PR 1KY, elec.brake detention, PR 2ES	Gasol./Gas (CNG)	FWD	1498	96	131	12.18-08.20	■
1.4 TSI MultiFuel (CPVA)	-09/15, Rim 17, PR 1KV, discØ 300, PR 1KJ, PR 1KY, PR E14, discØ 310	Gasol./Etanol	FWD	1395	90	122	04.13-03.17	■
1.4 TSI MultiFuel (CPVB)	-09/15, Rim 17, PR 1KV, discØ 300, PR 1KJ, PR 1KY, PR E14, discØ 310	Gasol./Etanol	FWD	1395	92	125	05.14-03.17	■
1.6 TDI (CLHB)	-09/15, Rim 17, PR 1KV, discØ 300, PR 1KJ, PR 1KY, PR E14, discØ 310	Diesel	FWD	1598	66	90	05.13-07.18	■
1.6 TDI (CRKA)	-09/15, Rim 17, PR 1KV, discØ 300, PR 1KJ, PR 1KY, PR E14, discØ 310	Diesel	FWD	1598	66	90	05.13-07.18	■
1.6 TDI (CXXA)	-09/15, Rim 17, PR 1KV, discØ 300, PR 1KJ, PR 1KY, PR E14, discØ 310	Diesel	FWD	1598	66	90	05.13-07.18	■
1.6 TDI (DDYB)	-09/15, Rim 17, PR 1KV, discØ 300, PR 1KJ, PR 1KY, PR E14, discØ 310	Diesel	FWD	1598	66	90	05.13-07.18	■
1.6 TDI (CLHA)	-09/15, Rim 17, PR 1KV, discØ 300, PR 1KJ, PR 1KY, PR E14, discØ 310	Diesel	FWD	1598	77	105	05.13-03.17	■
1.6 TDI 4motion (CLHA)	-09/15, Rim 17, PR 1KV, discØ 300, PR 1KJ, PR 1KY, PR E14, discØ 310	Diesel	4WD	1598	77	105	05.13-03.17	■
1.6 TDI (CRKB)	-09/15, Rim 17, PR 1KV, discØ 300, PR 1KJ, PR 1KY, PR E14, discØ 310	Diesel	FWD	1598	81	110	05.13-03.17	■
1.6 TDI (CXXB)	-09/15, Rim 17, PR 1KV, discØ 300, PR 1KJ, PR 1KY, PR E14, discØ 310	Diesel	FWD	1598	81	110	05.13-03.17	■
1.6 TDI (DBKA)	-09/15, Rim 17, PR 1KV, discØ 300, PR 1KJ, PR 1KY, PR E14, discØ 310	Diesel	FWD	1598	81	110	05.13-03.17	■
1.6 TDI 4motion (CRKB)	-09/15, Rim 17, PR 1KV, discØ 300, PR 1KJ, PR 1KY, PR E14, discØ 310	Diesel	4WD	1598	81	110	05.13-03.17	■
1.6 TDI 4motion (CXXB)	-09/15, Rim 17, PR 1KV, discØ 300, PR 1KJ, PR 1KY, PR E14, discØ 310	Diesel	4WD	1598	81	110	05.13-03.17	■
1.6 TDI (DDYA)	PR 1KV, PR 1KY, elec.brake detention, PR 2ES	Diesel	FWD	1598	85	115	11.16-08.20	■
1.6 TDI (DGTE)	PR 1KV, PR 1KY, elec.brake detention, PR 2ES	Diesel	FWD	1598	85	115	11.16-08.20	■
2.0 TDI (CRLD)	-09/15, Rim 17, PR 1KV, discØ 300, PR 1KJ, PR 1KY, PR E14, discØ 310	Diesel	FWD	1968	81	110	05.13-08.20	■
2.0 TDI (CRVA)	-09/15, Rim 17, PR 1KV, discØ 300, PR 1KJ, PR 1KY, PR E14, discØ 310	Diesel	FWD	1968	81	110	05.13-08.20	■
2.0 TDI (CYKB)	-09/15, Rim 17, PR 1KV, discØ 300, PR 1KJ, PR 1KY, PR E14, discØ 310	Diesel	FWD	1968	81	110	05.13-08.20	■
2.0 TDI (DCYB)	-09/15, Rim 17, PR 1KV, discØ 300, PR 1KJ, PR 1KY, PR E14, discØ 310	Diesel	FWD	1968	81	110	05.13-08.20	■
2.0 TDI (DEJB)	-09/15, Rim 17, PR 1KV, discØ 300, PR 1KJ, PR 1KY, PR E14, discØ 310	Diesel	FWD	1968	81	110	05.13-08.20	■

# LISTA DE APLICACIONES - BUYERS GUIDE

2.0 TDI (DFGB)	-09/15, Rim 17, PR 1KV, discØ 300, PR 1KJ, PR 1KY, PR E14, discØ 310	Diesel	FWD	1968	81	110	05.13-08.20	■	
2.0 TDI (CRBC)	-09/15, Rim 17, PR 1KV, discØ 300, PR 1KJ, PR 1KY, PR E14, discØ 310	Diesel	FWD	1968	110	150	04.13-08.20	■	
2.0 TDI (CRLB)	-09/15, Rim 17, PR 1KV, discØ 300, PR 1KJ, PR 1KY, PR E14, discØ 310	Diesel	FWD	1968	110	150	04.13-08.20	■	
2.0 TDI (CRUA)	-09/15, Rim 17, PR 1KV, discØ 300, PR 1KJ, PR 1KY, PR E14, discØ 310	Diesel	FWD	1968	110	150	04.13-08.20	■	
2.0 TDI (DCYA)	-09/15, Rim 17, PR 1KV, discØ 300, PR 1KJ, PR 1KY, PR E14, discØ 310	Diesel	FWD	1968	110	150	04.13-08.20	■	
2.0 TDI (DEJA)	-09/15, Rim 17, PR 1KV, discØ 300, PR 1KJ, PR 1KY, PR E14, discØ 310	Diesel	FWD	1968	110	150	04.13-08.20	■	
2.0 TDI (DFGA)	-09/15, Rim 17, PR 1KV, discØ 300, PR 1KJ, PR 1KY, PR E14, discØ 310	Diesel	FWD	1968	110	150	04.13-08.20	■	
2.0 TDI 4motion (CRBC)	-09/15, Rim 17, PR 1KV, discØ 300, PR 1KJ, PR 1KY, PR E14, discØ 310	Diesel	4WD	1968	110	150	04.13-08.20	■	
2.0 TDI 4motion (CRLB)	-09/15, Rim 17, PR 1KV, discØ 300, PR 1KJ, PR 1KY, PR E14, discØ 310	Diesel	4WD	1968	110	150	04.13-08.20	■	
2.0 TDI 4motion (DCYA)	-09/15, Rim 17, PR 1KV, discØ 300, PR 1KJ, PR 1KY, PR E14, discØ 310	Diesel	4WD	1968	110	150	04.13-08.20	■	
2.0 GTD	Rim 17, PR 1KV, discØ 300, PR 1KJ, PR 1KY, discØ 310	Diesel	FWD	1968	130	177	11.16-	■	
2.0 GTD (CUNA)	-09/15, Rim 17, PR 1KV, discØ 300, PR 1KJ, PR 1KY, PR E14, discØ 310	Diesel	FWD	1968	135	184	01.15-07.19	■	
2.0 GTD (DGCA)	-09/15, Rim 17, PR 1KV, discØ 300, PR 1KJ, PR 1KY, PR E14, discØ 310	Diesel	FWD	1968	135	184	01.15-07.19	■	
2.0 GTD (DJGA)	-09/15, Rim 17, PR 1KV, discØ 300, PR 1KJ, PR 1KY, PR E14, discØ 310	Diesel	FWD	1968	135	184	01.15-07.19	■	
<b>PASSAT B8 (3G2, CB2) 08.14-</b>							<b>Saloon (Large family car-D Segment)</b>		
1.4 TSI (CZCA)	-07/15, PR 1KU, discØ 300, Rim 17, ch- F-200000, PR 1KZ, discØ 310	Gasolina	FWD	1395	92	125	11.14-11.18	■	
1.4 TSI (CZDA)	-07/15, PR 1KU, discØ 300, Rim 17, ch- F-200000, PR 1KZ, discØ 310	Gasolina	FWD	1395	110	150	11.14-03.24	■	
1.4 TSI (CZEA)	-07/15, PR 1KU, discØ 300, Rim 17, ch- F-200000, PR 1KZ, discØ 310	Gasolina	FWD	1395	110	150	11.14-03.24	■	
1.4 TSI 4motion (CZEA)	-07/15, PR 1KU, discØ 300, Rim 17, ch- F-200000, PR 1KZ, discØ 310	Gasolina	4WD	1395	110	150	02.15-11.18	■	
1.5 TSI (DADA)		Gasolina	FWD	1498	110	150	08.18-03.24	■	
1.5 TSI (DPCA)		Gasolina	FWD	1498	110	150	08.18-03.24	■	
1.8 TSI (CJSA)	-07/15, PR 1KU, discØ 300, Rim 17, ch- F-200000, PR 1KZ, discØ 310	Gasolina	FWD	1798	132	180	02.15-07.19	■	
1.8 TSI (CJSC)	-07/15, PR 1KU, discØ 300, Rim 17, ch- F-200000, PR 1KZ, discØ 310	Gasolina	FWD	1798	132	180	02.15-07.19	■	
2.0 TSI (CZPB)		Gasolina	FWD	1984	140	190	11.18-03.24	■	
2.0 TSI (DKZA)		Gasolina	FWD	1984	140	190	11.18-03.24	■	
2.0 TSI (DRFA)		Gasolina	FWD	1984	140	190	11.18-03.24	■	
2.0 TSI (CHHB)	-07/15, PR 1KU, discØ 300, Rim 17, ch- F-200000, PR 1KZ, discØ 310	Gasolina	FWD	1984	162	220	02.15-03.24	■	
2.0 TSI (CXDA)	-07/15, PR 1KU, discØ 300, Rim 17, ch- F-200000, PR 1KZ, discØ 310	Gasolina	FWD	1984	162	220	02.15-03.24	■	

# LISTA DE APLICACIONES - BUYERS GUIDE

2.0 TSI 4motion (DNUA)		Gasolina	4WD	1984	200	272	09.18-11.20	■
2.0 TSI 4motion (CJXA)	-07/15, PR 1KU, discØ 300, Rim 17, ch- F-200000, PR 1KZ, discØ 310	Gasolina	4WD	1984	206	280	05.15-03.24	■
1.4 GTE Hybrid (CUKC)	PR 1KU, PR 1KZ, PR 2EA	Gasol./el éc.	FWD	1395	160	218	06.15-03.24	■
1.4 GTE Hybrid (DGEB)	PR 1KU, PR 1KZ, PR 2EA	Gasol./el éc.	FWD	1395	160	218	06.15-03.24	■
1.6 TDI (DCXA)	-07/15, PR 1KU, discØ 300, Rim 17, ch- F-200000, PR 1KZ, discØ 310	Diesel	FWD	1598	88	120	08.14-11.20	■
1.6 TDI (DCZA)	-07/15, PR 1KU, discØ 300, Rim 17, ch- F-200000, PR 1KZ, discØ 310	Diesel	FWD	1598	88	120	08.14-11.20	■
2.0 TDI (CRLD)		Diesel	FWD	1968	81	110	01.16-11.18	■
2.0 TDI (DBGB)		Diesel	FWD	1968	81	110	01.16-11.18	■
2.0 TDI (DFGB)		Diesel	FWD	1968	81	110	01.16-11.18	■
2.0 TDI (DTRA)	discØ 300	Diesel	FWD	1968	90	122	07.20-03.24	■
2.0 TDI (CRLB)	-07/15, PR 1KU, discØ 300, Rim 17, ch- F-200000, PR 1KZ, discØ 310	Diesel	FWD	1968	110	150	11.14-03.24	■
2.0 TDI (DBGA)	-07/15, PR 1KU, discØ 300, Rim 17, ch- F-200000, PR 1KZ, discØ 310	Diesel	FWD	1968	110	150	11.14-03.24	■
2.0 TDI (DFGA)	-07/15, PR 1KU, discØ 300, Rim 17, ch- F-200000, PR 1KZ, discØ 310	Diesel	FWD	1968	110	150	11.14-03.24	■
2.0 TDI (DSRA)	-07/15, PR 1KU, discØ 300, Rim 17, ch- F-200000, PR 1KZ, discØ 310	Diesel	FWD	1968	110	150	11.14-03.24	■
2.0 TDI (DSRB)	-07/15, PR 1KU, discØ 300, Rim 17, ch- F-200000, PR 1KZ, discØ 310	Diesel	FWD	1968	110	150	11.14-03.24	■
2.0 TDI 4motion (CRLB)	-07/15, PR 1KU, discØ 300, Rim 17, ch- F-200000, PR 1KZ, discØ 310	Diesel	4WD	1968	110	150	08.14-03.24	■
2.0 TDI 4motion (DFEA)	-07/15, PR 1KU, discØ 300, Rim 17, ch- F-200000, PR 1KZ, discØ 310	Diesel	4WD	1968	110	150	08.14-03.24	■
2.0 TDI 4motion (DFGA)	-07/15, PR 1KU, discØ 300, Rim 17, ch- F-200000, PR 1KZ, discØ 310	Diesel	4WD	1968	110	150	08.14-03.24	■
2.0 TDI		Diesel	FWD	1968	130	177	05.16-03.24	■
2.0 TDI (CUPA)	PR 1KU, discØ 300, Rim 17, ch- F-200000, PR 1KZ, discØ 310	Diesel	FWD	1968	135	184	07.15-05.16	■
2.0 TDI (DDAA)	-07/15, PR 1KU, discØ 300, Rim 17, ch- F-200000, PR 1KZ, discØ 310	Diesel	FWD	1968	140	190	11.14-03.24	■
2.0 TDI (DFCA)	-07/15, PR 1KU, discØ 300, Rim 17, ch- F-200000, PR 1KZ, discØ 310	Diesel	FWD	1968	140	190	11.14-03.24	■
2.0 TDI (DFHA)	-07/15, PR 1KU, discØ 300, Rim 17, ch- F-200000, PR 1KZ, discØ 310	Diesel	FWD	1968	140	190	11.14-03.24	■
2.0 TDI 4motion (DDAA)	-07/15, PR 1KU, discØ 300, Rim 17, ch- F-200000, PR 1KZ, discØ 310	Diesel	4WD	1968	140	190	11.14-03.24	■
2.0 TDI 4motion (DFCA)	-07/15, PR 1KU, discØ 300, Rim 17, ch- F-200000, PR 1KZ, discØ 310	Diesel	4WD	1968	140	190	11.14-03.24	■
2.0 TDI 4motion (DFHA)	-07/15, PR 1KU, discØ 300, Rim 17, ch- F-200000, PR 1KZ, discØ 310	Diesel	4WD	1968	140	190	11.14-03.24	■
2.0 TDI	discØ 300	Diesel	FWD	1968	147	200	10.20-03.24	■
2.0 TDI 4motion (DTUA)	discØ 300	Diesel	4WD	1968	147	200	08.20-03.24	■
2.0 TDI 4motion (CUAA)	-07/15, PR 1KU, discØ 300, Rim 17, ch- F-200000, PR 1KZ, discØ 310	Diesel	4WD	1968	176	240	08.14-11.20	■

# LISTA DE APLICACIONES - BUYERS GUIDE

<b>PASSAT B8 ALLTRACK Variant (3G5, CB5) 05.15-</b>						<b>Estate (Large family car-D Segment)</b>			
1.4 TSI 4motion (CZEA)	PR 1KU, PR 1KZ, PR 2EA	Gasolina	4WD	1395	110	150	05.15-11.18	■	
2.0 TSI 4motion (CHHB)	PR 1KU, discØ 300, Rim 17, ch- F-200000, PR 1KZ, discØ 310	Gasolina	4WD	1984	162	220	07.15-03.24	■	
2.0 TSI 4motion (DNUA)		Gasolina	4WD	1984	200	272	08.18-11.20	■	
2.0 TSI 4motion (CJXA)		Gasolina	4WD	1984	206	280	11.18-03.24	■	
2.0 TDI 4motion (CRLB)	-07/15, PR 1KU, discØ 300, Rim 17, ch- F-200000, PR 1KZ, discØ 310	Diesel	4WD	1968	110	150	05.15-11.17	■	
2.0 TDI 4motion (DFEA)	-07/15, PR 1KU, discØ 300, Rim 17, ch- F-200000, PR 1KZ, discØ 310	Diesel	4WD	1968	110	150	05.15-11.17	■	
2.0 TDI 4motion (CUPA)	PR 1KU, discØ 300, Rim 17, ch- F-200000, PR 1KZ, discØ 310	Diesel	4WD	1968	135	184	07.15-05.16	■	
2.0 TDI 4motion (DDAA)	-07/15, PR 1KU, discØ 300, Rim 17, ch- F-200000, PR 1KZ, discØ 310	Diesel	4WD	1968	140	190	05.15-03.24	■	
2.0 TDI 4motion (DFCA)	-07/15, PR 1KU, discØ 300, Rim 17, ch- F-200000, PR 1KZ, discØ 310	Diesel	4WD	1968	140	190	05.15-03.24	■	
2.0 TDI 4motion (DFHA)	-07/15, PR 1KU, discØ 300, Rim 17, ch- F-200000, PR 1KZ, discØ 310	Diesel	4WD	1968	140	190	05.15-03.24	■	
2.0 TDI 4motion	discØ 300, PR 1KU, PR 2EM	Diesel	4WD	1968	147	200	08.20-03.24	■	
2.0 TDI 4motion (CUAA)	-07/15, PR 1KU, discØ 300, Rim 17, ch- F-200000, PR 1KZ, discØ 310	Diesel	4WD	1968	176	240	05.15-11.20	■	
<b>PASSAT B8 Variant (3G5, CB5) 08.14-</b>						<b>Estate (Large family car-D Segment)</b>			
1.4 TSI (CZCA)	-07/15, PR 1KU, discØ 300, Rim 17, ch- F-200000, PR 1KZ, discØ 310	Gasolina	FWD	1395	92	125	11.14-11.18	■	
1.4 TSI (CZDA)	-07/15, PR 1KU, discØ 300, Rim 17, ch- F-200000, PR 1KZ, discØ 310	Gasolina	FWD	1395	110	150	11.14-03.24	■	
1.4 TSI (CZEA)	-07/15, PR 1KU, discØ 300, Rim 17, ch- F-200000, PR 1KZ, discØ 310	Gasolina	FWD	1395	110	150	11.14-03.24	■	
1.4 TSI 4motion (CZEA)	-07/15, PR 1KU, discØ 300, Rim 17, ch- F-200000, PR 1KZ, discØ 310	Gasolina	4WD	1395	110	150	02.15-11.18	■	
1.5 TSI (DADA)		Gasolina	FWD	1498	110	150	08.18-03.24	■	
1.5 TSI (DPCA)		Gasolina	FWD	1498	110	150	08.18-03.24	■	
1.8 TSI (CJSA)	-07/15, PR 1KU, discØ 300, Rim 17, ch- F-200000, PR 1KZ, discØ 310	Gasolina	FWD	1798	132	180	02.15-07.19	■	
1.8 TSI (CJSC)	-07/15, PR 1KU, discØ 300, Rim 17, ch- F-200000, PR 1KZ, discØ 310	Gasolina	FWD	1798	132	180	02.15-07.19	■	
2.0 TSI (CZPB)		Gasolina	FWD	1984	140	190	11.18-03.24	■	
2.0 TSI (DKZA)		Gasolina	FWD	1984	140	190	11.18-03.24	■	
2.0 TSI (DRFA)		Gasolina	FWD	1984	140	190	11.18-03.24	■	
2.0 TSI (CHHB)	-07/15, PR 1KU, discØ 300, Rim 17, ch- F-200000, PR 1KZ, discØ 310	Gasolina	FWD	1984	162	220	08.14-03.24	■	
2.0 TSI (CXDA)	-07/15, PR 1KU, discØ 300, Rim 17, ch- F-200000, PR 1KZ, discØ 310	Gasolina	FWD	1984	162	220	08.14-03.24	■	
2.0 TSI 4motion (DNUA)		Gasolina	4WD	1984	200	272	09.18-11.20	■	
2.0 TSI 4motion (CJXA)	-07/15, PR 1KU, discØ 300, Rim 17, ch- F-200000, PR 1KZ, discØ 310	Gasolina	4WD	1984	206	280	05.15-03.24	■	
1.4 GTE Hybrid (CUKC)	PR 1KU, PR 1KZ, PR 2EA	Gasol./el éc.	FWD	1395	160	218	06.15-03.24	■	
1.4 GTE Hybrid (DGEB)	PR 1KU, PR 1KZ, PR 2EA	Gasol./el éc.	FWD	1395	160	218	06.15-03.24	■	

## LISTA DE APLICACIONES - BUYERS GUIDE

1.6 TDI (DCXA)	-07/15, PR 1KU, discØ 300, Rim 17, ch- F-200000, PR 1KZ, discØ 310	Diesel	FWD	1598	88	120	08.14-11.20	■	
1.6 TDI (DCZA)	-07/15, PR 1KU, discØ 300, Rim 17, ch- F-200000, PR 1KZ, discØ 310	Diesel	FWD	1598	88	120	08.14-11.20	■	
2.0 TDI		Diesel	FWD	1968	81	110	01.16-07.18	■	
2.0 TDI (DTRA)	discØ 300	Diesel	FWD	1968	90	122	07.20-03.24	■	
2.0 TDI (CRLB)	-07/15, PR 1KU, discØ 300, Rim 17, ch- F-200000, PR 1KZ, discØ 310	Diesel	FWD	1968	110	150	11.14-03.24	■	
2.0 TDI (DBGA)	-07/15, PR 1KU, discØ 300, Rim 17, ch- F-200000, PR 1KZ, discØ 310	Diesel	FWD	1968	110	150	11.14-03.24	■	
2.0 TDI (DFGA)	-07/15, PR 1KU, discØ 300, Rim 17, ch- F-200000, PR 1KZ, discØ 310	Diesel	FWD	1968	110	150	11.14-03.24	■	
2.0 TDI (DSRA)	-07/15, PR 1KU, discØ 300, Rim 17, ch- F-200000, PR 1KZ, discØ 310	Diesel	FWD	1968	110	150	11.14-03.24	■	
2.0 TDI (DSRB)	-07/15, PR 1KU, discØ 300, Rim 17, ch- F-200000, PR 1KZ, discØ 310	Diesel	FWD	1968	110	150	11.14-03.24	■	
2.0 TDI 4motion (CRLB)	-07/15, PR 1KU, discØ 300, Rim 17, ch- F-200000, PR 1KZ, discØ 310	Diesel	4WD	1968	110	150	08.14-03.24	■	
2.0 TDI 4motion (DFEA)	-07/15, PR 1KU, discØ 300, Rim 17, ch- F-200000, PR 1KZ, discØ 310	Diesel	4WD	1968	110	150	08.14-03.24	■	
2.0 TDI 4motion (DFGA)	-07/15, PR 1KU, discØ 300, Rim 17, ch- F-200000, PR 1KZ, discØ 310	Diesel	4WD	1968	110	150	08.14-03.24	■	
2.0 TDI (CUPA)	PR 1KU, discØ 300, Rim 17, ch- F-200000, PR 1KZ, discØ 310	Diesel	FWD	1968	135	184	07.15-05.16	■	
2.0 TDI (DDAA)	-07/15, PR 1KU, discØ 300, Rim 17, ch- F-200000, PR 1KZ, discØ 310	Diesel	FWD	1968	140	190	11.14-03.24	■	
2.0 TDI (DFCA)	-07/15, PR 1KU, discØ 300, Rim 17, ch- F-200000, PR 1KZ, discØ 310	Diesel	FWD	1968	140	190	11.14-03.24	■	
2.0 TDI (DFHA)	-07/15, PR 1KU, discØ 300, Rim 17, ch- F-200000, PR 1KZ, discØ 310	Diesel	FWD	1968	140	190	11.14-03.24	■	
2.0 TDI 4motion (DDAA)	-07/15, PR 1KU, discØ 300, Rim 17, ch- F-200000, PR 1KZ, discØ 310	Diesel	4WD	1968	140	190	11.14-03.24	■	
2.0 TDI 4motion (DFCA)	-07/15, PR 1KU, discØ 300, Rim 17, ch- F-200000, PR 1KZ, discØ 310	Diesel	4WD	1968	140	190	11.14-03.24	■	
2.0 TDI 4motion (DFHA)	-07/15, PR 1KU, discØ 300, Rim 17, ch- F-200000, PR 1KZ, discØ 310	Diesel	4WD	1968	140	190	11.14-03.24	■	
2.0 TDI	discØ 300	Diesel	FWD	1968	147	200	09.20-03.24	■	
2.0 TDI 4motion (DTUA)	discØ 300	Diesel	4WD	1968	147	200	08.20-03.24	■	
2.0 TDI 4motion (CUAA)	-07/15, PR 1KU, discØ 300, Rim 17, ch- F-200000, PR 1KZ, discØ 310	Diesel	4WD	1968	176	240	08.14-11.20	■	
<b>POLO V (6R1, 6C1) 03.09-</b>						<b>Hatchback (Supermini car-B Segment)</b>			
1.8 GTI 230 (DAJA)	Rim 17, PR 1KV, discØ 300, PR 1KJ, PR 1KY, discØ 310	Gasolina	FWD	1798	169	230	04.16-10.17	■	
<b>TIGUAN II (AD1) 07.15-</b>						<b>SUV Van ()</b>			
TDI 4motion	Eq.V_ ADI, PR 1KU, PR 2EM, discØ 300, PR 1KZ, PR 2ER, discØ 310	Diesel	4WD	1968	140	190	01.16-07.20	■	
<b>TIGUAN II (AD1, AX1) 01.16-</b>						<b>SUV (Compact SUV-J Segment)</b>			
1.4 TSI (CZCA)	Eq.V_ ADI, PR 1KU, discØ 300, PR 1KZ, discØ 310	Gasolina	FWD	1395	92	125	01.16-03.22	■	
1.4 TSI (CZDA)	Eq.V_ ADI, PR 1KU, discØ 300, PR 1KZ, discØ 310	Gasolina	FWD	1395	110	150	05.16-03.22	■	

## LISTA DE APLICACIONES - BUYERS GUIDE

1.4 TSI (CZEA)	Eq.V_ ADI, PR 1KU, discØ 300, PR 1KZ, discØ 310	Gasolina	FWD	1395	110	150	05.16-03.22	■	
1.4 TSI (DJVA)	Eq.V_ ADI, PR 1KU, discØ 300, PR 1KZ, discØ 310	Gasolina	FWD	1395	110	150	05.16-03.22	■	
1.4 TSI 4motion (CZDA)	Eq.V_ ADI, PR 1KU, discØ 300, PR 1KZ, discØ 310	Gasolina	4WD	1395	110	150	05.16-03.22	■	
1.4 TSI 4motion (CZEA)	Eq.V_ ADI, PR 1KU, discØ 300, PR 1KZ, discØ 310	Gasolina	4WD	1395	110	150	05.16-03.22	■	
1.5 TSI (DACB)		Gasolina	FWD	1498	96	131	11.18-08.19	■	
1.5 TSI (DPBE)		Gasolina	FWD	1498	96	131	07.18-04.24	■	
1.5 TSI (DADA)		Gasolina	FWD	1498	110	150	11.18-04.24	■	
1.5 TSI (DPCA)		Gasolina	FWD	1498	110	150	11.18-04.24	■	
2.0 TSI 4motion (CZPA)	Eq.V_ AD1, PR 1KU, discØ 300   PR 1KZ, discØ 310	Gasolina	4WD	1984	132	180	01.16-04.24	■	
2.0 TSI 4motion (DKZA)		Gasolina	4WD	1984	140	190	09.18-11.22	■	
2.0 TSI 4motion (DRFA)		Gasolina	4WD	1984	140	190	09.18-11.22	■	
2.0 TSI 4motion (CHHB)	Eq.V_ AD1, PR 1KU, discØ 300, PR 1KZ, discØ 310	Gasolina	4WD	1984	162	220	06.16-04.24	■	
2.0 TSI 4motion (DKTA)		Gasolina	4WD	1984	169	230	09.18-07.20	■	
2.0 TSI 4motion	discØ 310, PR 1ZK, PR 2ER	Gasolina	4WD	1984	180	245	01.21-04.24	■	
2.0 TSI R 4motion	PR 2EW	Gasolina	4WD	1984	235	320	11.20-04.24	■	
1.4 eHybrid	discØ 300, PR 1KU, PR 2EM	Gasol./el éc.	FWD	1395	180	245	11.20-04.24	■	
1.6 TDI (DGDB)	Eq.V_ AD1, PR 1KU, discØ 300, PR 1KZ, discØ 310	Diesel	FWD	1598	85	115	05.16-06.20	■	
2.0 TDI (CYKC)	Eq.V_ ADI, PR 1KU, discØ 300, PR 1KZ, discØ 310	Diesel	FWD	1968	81	110	08.16-07.20	■	
2.0 TDI (DFGC)	Eq.V_ ADI, PR 1KU, discØ 300, PR 1KZ, discØ 310	Diesel	FWD	1968	85	115	05.16-07.19	■	
2.0 TDI	discØ 300	Diesel	FWD	1968	90	122	07.20-04.24	■	
2.0 TDI 4motion	Eq.V_ ADI, PR 1KU, discØ 300, PR 1KZ, discØ 310	Diesel	4WD	1968	105	143	06.16-07.20	■	
2.0 TDI (DFGA)	Eq.V_ ADI, PR 1KU, discØ 300   PR 1KZ, discØ 310	Diesel	FWD	1968	110	150	01.16-04.24	■	
2.0 TDI (DTSA)	Eq.V_ ADI, PR 1KU, discØ 300   PR 1KZ, discØ 310	Diesel	FWD	1968	110	150	01.16-04.24	■	
2.0 TDI (DTSB)	Eq.V_ ADI, PR 1KU, discØ 300   PR 1KZ, discØ 310	Diesel	FWD	1968	110	150	01.16-04.24	■	
2.0 TDI 4motion (DBGC)	Eq.V_ ADI, PR 1KU, discØ 300   PR 1KZ, discØ 310	Diesel	4WD	1968	110	150	01.16-04.24	■	
2.0 TDI 4motion (DFGA)	Eq.V_ ADI, PR 1KU, discØ 300   PR 1KZ, discØ 310	Diesel	4WD	1968	110	150	01.16-04.24	■	
2.0 TDI 4motion (DTSA)	Eq.V_ ADI, PR 1KU, discØ 300   PR 1KZ, discØ 310	Diesel	4WD	1968	110	150	01.16-04.24	■	
2.0 TDI 4motion (DTSB)	Eq.V_ ADI, PR 1KU, discØ 300   PR 1KZ, discØ 310	Diesel	4WD	1968	110	150	01.16-04.24	■	
2.0 TDI 4motion (CRGB)	Eq.V_ ADI, PR 1KU, PR 2EM, discØ 300, PR 1KZ, PR 2ER, discØ 310	Diesel	4WD	1968	130	177	08.16-07.20	■	
2.0 TDI 4motion (DFHA)	Eq.V_ ADI, PR 1KU, discØ 300, PR 1KZ, discØ 310	Diesel	4WD	1968	140	190	04.16-07.20	■	
2.0 TDI 4motion (DTUA)	discØ 300, PR 1KU, PR 2EM   discØ 310, PR 1KZ, PR 2ER	Diesel	4WD	1968	147	200	07.20-04.24	■	
2.0 TDI 4motion (CUAA)	Eq.V_ ADI, PR 1KU, discØ 300, PR 1KZ, discØ 310	Diesel	4WD	1968	176	240	05.16-07.20	■	
<b>TIGUAN ALLSPACE (BW2, BJ2) 03.17-</b>						<b>SUV (Compact SUV-J Segment)</b>			
1.4 TSI (CZDA)	PR 1KU, PR 1KZ, PR 2EI, discØ 300, PR 2EM	Gasolina	FWD	1395	110	150	06.17-	■	
1.4 TSI (CZEA)	PR 1KU, PR 1KZ, PR 2EI, discØ 300, PR 2EM	Gasolina	FWD	1395	110	150	06.17-	■	
1.5 TSI (DADA)	discØ 300, PR 2EI, PR 2EM, PR 1KU	Gasolina	FWD	1498	110	150	09.18-	■	
1.5 TSI (DPCA)	discØ 300, PR 2EI, PR 2EM, PR 1KU	Gasolina	FWD	1498	110	150	09.18-	■	
2.0 TSI 4motion (DGVA)	PR 1KU, PR 1KZ, PR 2EI, discØ 300, PR 2EM	Gasolina	4WD	1984	132	180	03.17-	■	

# LISTA DE APLICACIONES - BUYERS GUIDE

2.0 TSI (DGUA)	PR 1KU, PR 1KZ, PR 2EM, discØ 300, PR 2EI   PR 2ER, PR 1KZ, discØ 310	Gasolina	FWD	1984	137	186	04.17-	■	
2.0 TSI 4motion (DGUA)	PR 1KU, PR 1KZ, PR 2EM, discØ 300, PR 2EI   PR 1KZ, PR 2ER, discØ 310	Gasolina	4WD	1984	137	186	04.17-	■	
2.0 TSI 4motion (DNLA)	discØ 310, PR 1KZ, PR 2ER   discØ 300, PR 2EI, PR 1KU, PR 2EM	Gasolina	4WD	1984	140	190	09.18-	■	
2.0 TSI 4motion (CXDA)	PR 1KU, PR 1KZ, PR 2ER, discØ 310, PR 2EV	Gasolina	4WD	1984	162	220	07.17-	■	
2.0 TSI 4motion (DNJA)	PR 1KU, PR 1KZ, PR 2ER, discØ 310, PR 2EV	Gasolina	4WD	1984	162	220	07.17-	■	
2.0 TSI 4motion (DKTA)		Gasolina	4WD	1984	169	230	09.18-07.20	■	
2.0 TSI 4motion	discØ 310, PR 2ER, PR 2EV, PR 1KZ	Gasolina	4WD	1984	180	245	09.20-	■	
1.4 TSI E100 Flex (CWLA)	PR 1KU, PR 1KZ	Gasol./Etanol	FWD	1395	110	150	07.17-	■	
2.0 TDI (DFGA)	PR 1KU, PR 1KZ, PR 2EI, discØ 300, PR 2EM	Diesel	FWD	1968	110	150	06.17-	■	
2.0 TDI 4motion (DBGC)	PR 1KU, PR 1KZ, PR 2EI, discØ 300	Diesel	4WD	1968	110	150	06.17-	■	
2.0 TDI 4motion (DFGA)	PR 1KU, PR 1KZ, PR 2EI, discØ 300	Diesel	4WD	1968	110	150	06.17-	■	
2.0 TDI 4motion (DFHA)	PR 1KZ, PR 2ER, discØ 310, PR 2EI, PR 1KU, discØ 300, PR 2EM	Diesel	4WD	1968	140	190	06.17-07.21	■	
2.0 TDI 4motion	discØ 300, PR 2EI, PR 2EM, PR 1KU	Diesel	4WD	1968	147	200	06.20-	■	
2.0 TDI 4motion (CUAA)	PR 1KU, PR 1KZ, PR 2ER, PR 2EV, discØ 310	Diesel	4WD	1968	176	240	06.17-09.20	■	
<b>TOURAN III (5T1) 05.15-</b>					<b>Box Body/MPV (LCVs-N1 Segment)</b>				
2.0 TDI		Diesel	FWD	1968	90	122	11.20-	■	
2.0 TDI		Diesel	FWD	1968	110	150	05.15-	■	
<b>TOURAN III (5T1) 05.15-</b>					<b>MPV (Compact MPV-M1 Segment)</b>				
1.0 TSI (DKRB)		Gasolina	FWD	999	85	116	12.18-07.19	■	
1.2 TSI (CYVB)	PR 1KU, PR 1KZ, PR 2EA	Gasolina	FWD	1197	81	110	05.15-07.18	■	
1.4 TSI (CZDA)	PR 1KU, PR 1KZ, PR 2EA	Gasolina	FWD	1395	110	150	05.15-07.22	■	
1.5 TSI (DADA)		Gasolina	FWD	1498	110	150	11.18-	■	
1.5 TSI (DPCA)		Gasolina	FWD	1498	110	150	11.18-	■	
1.8 TSI (CJSA)		Gasolina	FWD	1798	132	180	11.15-07.18	■	
1.6 TDI (CRKB)		Diesel	FWD	1598	81	110	05.15-05.16	■	
1.6 TDI (DGDA)		Diesel	FWD	1598	85	115	05.16-07.19	■	
2.0 TDI (CRVA)		Diesel	FWD	1968	81	110	11.15-07.19	■	
2.0 TDI (CYKB)		Diesel	FWD	1968	81	110	11.15-07.19	■	
2.0 TDI (DFEB)		Diesel	FWD	1968	81	110	11.15-07.19	■	
2.0 TDI (DFGB)		Diesel	FWD	1968	81	110	11.15-07.19	■	
2.0 TDI (DFGC)		Diesel	FWD	1968	85	116	02.19-11.20	■	
2.0 TDI		Diesel	FWD	1968	90	122	11.20-	■	
2.0 TDI (DFEA)		Diesel	FWD	1968	110	150	05.15-	■	
2.0 TDI (DFGA)		Diesel	FWD	1968	110	150	05.15-	■	
2.0 TDI (DFHA)		Diesel	FWD	1968	140	190	11.15-07.19	■	
<b>T-ROC (A11, D11) 07.17-</b>					<b>SUV (Mini SUV-J Segment)</b>				
2.0 R 4motion (DNUE)	PR 2EF, discØ 30	Gasolina	4WD	1984	221	300	09.19-	■	
<b>VW (FAW)</b>									
<b>CC Shooting Brake (0H9) 12.20-</b>					<b>Estate (Large family car-D Segment)</b>				
330TSi (DPLA)	PR 1KU, PR 1KZ, PR 2ER, discØ 310	Gasolina	FWD	1984	137	186	12.20-	■	
380TSi (DKXA)	PR 1KU, PR 1KZ, PR 2ER, discØ 310	Gasolina	FWD	1984	162	220	12.20-	■	

# LISTA DE APLICACIONES - BUYERS GUIDE

<b>TAYRON (0D1, 0D3) 10.18-</b>					<b>SUV (Compact SUV-J Segment)</b>			
280TSi		Gasolina	FWD	1395	110	150	10.18-	■
330TSi		Gasolina	FWD	1984	137	186	10.18-	■
330 Tsi AWD		Gasolina	4WD	1984	137	186	10.18-	■
330 Tsi AWD		Gasolina	4WD	1984	162	220	10.18-	■
380 TSi AWD		Gasolina	4WD	1984	162	220	05.19-	■
GTE PHEV (DUKA)		Gasol./el éc.	FWD	1395	110	150	04.20-	■
GTE PHEV (DUKA)		Gasol./el éc.	FWD	1395	155	211	04.20-	■
<b>TAYRON X (0D2, 0D4) 07.20-</b>					<b>SUV (Compact SUV-J Segment)</b>			
330TSi (DPLA)		Gasolina	FWD	1984	137	186	07.20-	■
380 Tsi 4motion (DKXA)		Gasolina	4WD	1984	162	220	07.20-	■
<b>VW (SVW)</b>								
<b>TERAMONT (0A1) 03.17-</b>					<b>SUV (Compact SUV-J Segment)</b>			
330TSi	PR 1KZ	Gasolina	FWD	1984	137	186	03.17-	■
330TSi (DPLA)	PR 1KZ, PR 2ER	Gasolina	FWD	1984	137	186	04.21-	■
380 Tsi 4motion	PR 1KZ	Gasolina	FWD	1984	162	220	03.17-	■
380 Tsi 4motion	PR 1KZ	Gasolina	4WD	1984	162	220	02.19-	■
380 Tsi 4motion (DKXA)	PR 1KZ, PR 2ER	Gasolina	4WD	1984	162	220	04.21-	■
530 V6 4motion	PR 1KZ	Gasolina	FWD	2492	220	299	03.17-	■
530 V6 4motion (DMEA)	PR 1KZ, PR 2ER	Gasolina	4WD	2492	220	299	07.21-	■
<b>TERAMONT X (0PC) 05.19-</b>					<b>SUV (Compact SUV-J Segment)</b>			
330TSi	PR 1KZ	Gasolina	FWD	1984	137	186	05.19-	■
330TSi (DPLA)	PR 1KZ, PR 2ER	Gasolina	FWD	1984	137	186	04.21-	■
380 Tsi 4motion (DKXA)	PR 1KZ, PR 2ER	Gasolina	4WD	1984	162	220	04.21-	■
380 TSi AWD	PR 1KZ	Gasolina	4WD	1984	162	220	05.19-	■
530 V6 4motion (DMEA)	PR 1KZ, PR 2ER	Gasolina	4WD	2492	220	299	07.21-	■
530 V6 AWD	PR 1KZ	Gasolina	4WD	2492	220	299	05.19-	■
<b>TIGUAN L (0T1, 0T3) 01.17-</b>					<b>SUV (Compact SUV-J Segment)</b>			
330TSi	PR 1KU, PR 1KZ	Gasolina	FWD	1798	132	180	01.17-	■
Tsi 330	PR 1KU, PR 1KZ	Gasolina	FWD	1798	132	180	04.17-	■
330TSi	PR 1KU, PR 1KZ	Gasolina	FWD	1984	137	186	01.18-	■
380 Tsi 4motion	PR 1KU, PR 1KZ	Gasolina	4WD	1984	162	220	01.17-	■
380 Tsi 4motion	PR 1KU, PR 1KZ	Gasolina	4WD	1984	162	220	06.19-	■
<b>TIGUAN X (0T2, 0T4) 11.20-</b>					<b>SUV (Compact SUV-J Segment)</b>			
330TSi (DPLA)	PR 1KU, PR 1KZ	Gasolina	FWD	1984	137	186	11.20-	■
380 Tsi 4motion (DKXA)	PR 1KU, PR 1KZ	Gasolina	4WD	1984	162	220	11.20-	■
<b>TOURAN III (9R3) 06.14-</b>					<b>MPV (Compact MPV-M1 Segment)</b>			
1.6		Gasolina	FWD	1598	81	110	06.14-	■
<b>TOURAN L (0R1) 03.16-</b>					<b>MPV (Compact MPV-M1 Segment)</b>			
280TSi (CSSA, DJSA)		Gasolina	FWD	1395	110	150	03.16-	■
1.6 (CSRA)		Gasolina	FWD	1598	81	110	10.17-	■
330 Ti (CUFA)		Gasolina	FWD	1798	132	180	03.16-	■
<b>VILORAN (C61, CF1) 05.20-</b>					<b>MPV (Compact MPV-M1 Segment)</b>			
330TSi		Gasolina	FWD	1984	137	186	05.20-	■
380TSi		Gasolina	FWD	1984	162	220	05.20-	■