

# LISTA DE APLICACIONES - BUYERS GUIDE

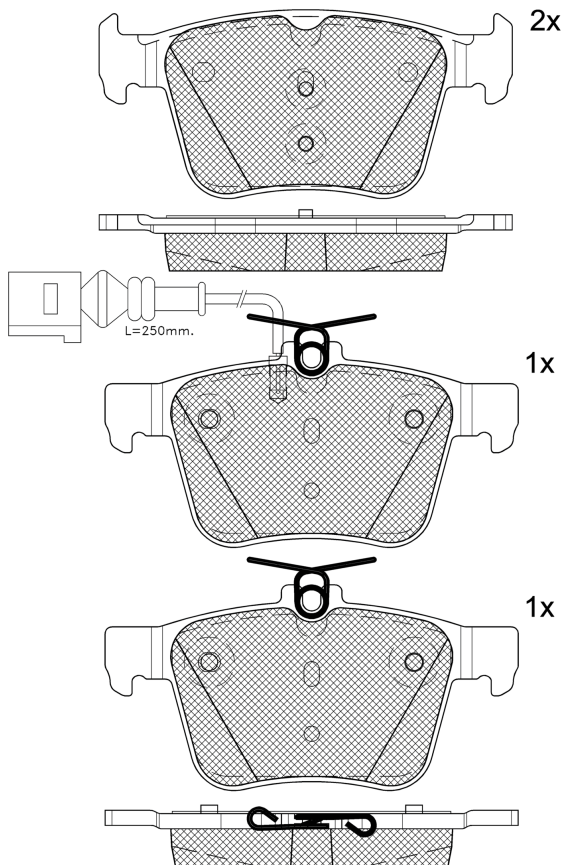
## 182098-203



Qty: 300

Weight: 1.095

| O.E.M.        | MAKE |
|---------------|------|
| 8V0 698 451 C | AUDI |
| 8V0 698 451 E | AUDI |
| 8V0 698 451 G | AUDI |
| 8V0 698 451 K | AUDI |



## 182098-203

E 9 90R-02A0111/3629



Ate - Teves

|                 |
|-----------------|
| 123.1x56.3x16.1 |
| 123.1x61.3x16.1 |

| WVA      | FMSI       |
|----------|------------|
| 22527    | D1761-8996 |
| 22601    |            |
| 25009    |            |
| 25011    |            |
| MAKE     |            |
| AUDI     |            |
| VW       |            |
| VW (SVW) |            |



|  |       |    |    |    |  |  |              |
|--|-------|----|----|----|--|--|--------------|
|  | Trac. | CC | Kw | CV |  |  | Front / Rear |
|--|-------|----|----|----|--|--|--------------|

### AUDI

| Model                                     |   |          |     |      |     | Segment  |             |   |  |
|---|---|----------|-----|------|-----|--|-------------|---|--|
| <b>A3 III (8VS, 8VM) 05.13-</b>           |   |          |     |      |     | <b>Saloon (Compact executive car-D Segment)</b>    |             |   |  |
| RS3 quattro (DAZA)                        |   | Gasolina | 4WD | 2480 | 294 | 400  | 04.17-10.20 | ■ |  |
| RS3 quattro (DNWA)                        |   | Gasolina | 4WD | 2480 | 294 | 400  | 04.17-10.20 | ■ |  |
| <b>A3 III Sportback (8VA, 8VF) 09.12-</b> |   |          |     |      |     | <b>Hatchback (Compact executive car-D Segment)</b> |             |   |  |
| RS3 quattro (CZGB)                        | PR 1KX, PR 2EE, elec.brake detention      | Gasolina | 4WD | 2480 | 270 | 367  | 03.15-08.16 | ■ |  |
| RS3 quattro (DAZA)                        |   | Gasolina | 4WD | 2480 | 294 | 400  | 04.17-10.20 | ■ |  |
| RS3 quattro (DNWA)                        |   | Gasolina | 4WD | 2480 | 294 | 400  | 04.17-10.20 | ■ |  |
| <b>Q3 II (F3B) 07.18-</b>                 |   |          |     |      |     | <b>SUV (Compact Crossover CUV-C Segment)</b>       |             |   |  |
| 2.5 RS TFSI quattro (DAZA)                | discØ 310, PR 1KD, PR 1KF, PR 1KI, PR 1KK | Gasolina | 4WD | 2480 | 294 | 400  | 10.19-      | ■ |  |
| 2.5 RS TFSI quattro (DNWA)                | discØ 310, PR 1KD, PR 1KF, PR 1KI, PR 1KK | Gasolina | 4WD | 2480 | 294 | 400  | 10.19-      | ■ |  |
| <b>Q3 II Sportback (F3N) 06.19-</b>       |   |          |     |      |     | <b>SUV (Compact Crossover CUV-C Segment)</b>       |             |   |  |
| 2.5 RS TFSI quattro (DAZA)                | PR 1KD, PR 1KF, PR 1KI, PR 1KK, discØ 310 | Gasolina | 4WD | 2480 | 294 | 400  | 10.19-      | ■ |  |
| 2.5 RS TFSI quattro (DNWA)                | PR 1KD, PR 1KF, PR 1KI, PR 1KK, discØ 310 | Gasolina | 4WD | 2480 | 294 | 400  | 10.19-      | ■ |  |
| <b>TT III (FV9, FVR) 11.14-</b>           |   |          |     |      |     | <b>Convertible (Sports car-S Segment)</b>          |             |   |  |
| 2.5 RS TFSI quattro (DAZA)                |   | Gasolina | 4WD | 2480 | 294 | 400  | 05.16-      | ■ |  |
| 2.5 RS TFSI quattro (DNWA)                |   | Gasolina | 4WD | 2480 | 294 | 400  | 05.16-      | ■ |  |
| <b>TT III (FV3, FVP) 07.14-</b>           |   |          |     |      |     | <b>Coupe (Sports car-S Segment)</b>                |             |   |  |
| 2.5 RS TFSI quattro (DAZA)                |   | Gasolina | 4WD | 2480 | 294 | 400  | 05.16-      | ■ |  |
| 2.5 RS TFSI quattro (DNWA)                |   | Gasolina | 4WD | 2480 | 294 | 400  | 05.16-      | ■ |  |

# LISTA DE APLICACIONES - BUYERS GUIDE

## VW

| <b>ATLAS (CA1, CA2, CA3) 12.16-</b>        |                |          |     |      | <b>SUV (Large SUV-J Segment)</b>                       |     |             |   |
|--|----------------|----------|-----|------|--|-----|-------------|---|
| 2.0 TSI 4motion (CXDA)                     | PR 1KZ         | Gasolina | 4WD | 1984 | 162  | 220 | 12.17-      | ■ |
| 2.0 TSI                                    | PR 1KZ, PR 2ER | Gasolina | FWD | 1984 | 175  | 238 | 07.17-05.23 | ■ |
| 3.6 FSI 4motion (CDVD)                     | PR 1KZ         | Gasolina | 4WD | 3598 | 183  | 249 | 01.19-      | ■ |
| 3.6 FSI                                    | PR 1KZ         | Gasolina | FWD | 3598 | 206  | 280 | 12.17-      | ■ |
| 3.6 FSI 4motion (CDVC)                     | PR 1KZ         | Gasolina | 4WD | 3598 | 206  | 280 | 12.16-      | ■ |
| <b>ATLAS CROSS SPORT (CMC, CMD) 08.19-</b> |                |          |     |      | <b>Closed Off-Road Vehicle (Compact SUV-J Segment)</b> |     |             |   |
| 2.0 TSI                                    | PR 1KZ, PR 2ER | Gasolina | FWD | 1984 | 175  | 238 | 08.19-      | ■ |
| 2.0 TSI 4motion                            | PR 1KZ, PR 2ER | Gasolina | 4WD | 1984 | 175  | 238 | 08.19-      | ■ |
| 3.6 FSI                                    | PR 1KZ, PR 2ER | Gasolina | FWD | 3598 | 206  | 280 | 08.19-      | ■ |
| 3.6 FSI 4motion                            | PR 1KZ, PR 2ER | Gasolina | 4WD | 3598 | 206  | 280 | 08.19-      | ■ |
| <b>VW (SVW)</b>                            |                |          |     |      |  |     |             |   |
| <b>TERAMONT (0A1) 03.17-</b>               |                |          |     |      | <b>SUV (Compact SUV-J Segment)</b>                     |     |             |   |
| 330TSi                                     | PR 1KZ         | Gasolina | FWD | 1984 | 137  | 186 | 03.17-      | ■ |
| 330TSi (DPLA)                              | PR 1KZ, PR 2ER | Gasolina | FWD | 1984 | 137  | 186 | 04.21-      | ■ |
| 380 Tsi 4motion                            | PR 1KZ         | Gasolina | FWD | 1984 | 162  | 220 | 03.17-      | ■ |
| 380 Tsi 4motion                            | PR 1KZ         | Gasolina | 4WD | 1984 | 162  | 220 | 02.19-      | ■ |
| 380 Tsi 4motion (DKXA)                     | PR 1KZ, PR 2ER | Gasolina | 4WD | 1984 | 162  | 220 | 04.21-      | ■ |
| 530 V6 4motion                             | PR 1KZ         | Gasolina | FWD | 2492 | 220  | 299 | 03.17-      | ■ |
| 530 V6 4motion (DMEA)                      | PR 1KZ, PR 2ER | Gasolina | 4WD | 2492 | 220  | 299 | 07.21-      | ■ |
| <b>TERAMONT X (0PC) 05.19-</b>             |                |          |     |      | <b>SUV (Compact SUV-J Segment)</b>                     |     |             |   |
| 330TSi                                     | PR 1KZ         | Gasolina | FWD | 1984 | 137  | 186 | 05.19-      | ■ |
| 330TSi (DPLA)                              | PR 1KZ, PR 2ER | Gasolina | FWD | 1984 | 137  | 186 | 04.21-      | ■ |
| 380 Tsi 4motion (DKXA)                     | PR 1KZ, PR 2ER | Gasolina | 4WD | 1984 | 162  | 220 | 04.21-      | ■ |
| 380 TSi AWD                                | PR 1KZ         | Gasolina | 4WD | 1984 | 162  | 220 | 05.19-      | ■ |
| 530 V6 4motion (DMEA)                      | PR 1KZ, PR 2ER | Gasolina | 4WD | 2492 | 220  | 299 | 07.21-      | ■ |
| 530 V6 AWD                                 | PR 1KZ         | Gasolina | 4WD | 2492 | 220  | 299 | 05.19-      | ■ |
| <b>VILORAN (C61, CF1) 05.20-</b>           |                |          |     |      | <b>MPV (Compact MPV-M1 Segment)</b>                    |     |             |   |
| 330TSi                                     |                | Gasolina | FWD | 1984 | 137  | 186 | 05.20-      | ■ |
| 380TSi                                     |                | Gasolina | FWD | 1984 | 162  | 220 | 05.20-      | ■ |