

# LISTA DE APLICACIONES - BUYERS GUIDE

## 182099-203

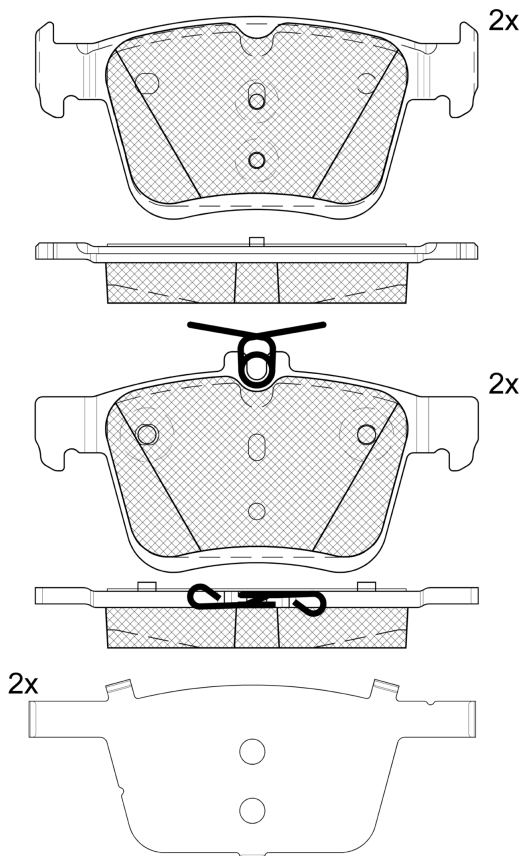


8 424073 289339

Qty: 300

Weight: 1.125

O.E.M.	MAKE
3Q0 698 451 AA	VW
5Q0 698 451 AB	VW
5Q0 698 451 AE	VW
5Q0 698 451 H	VW
5Q0 698 451 J	VW



Ref. 652723

## 182099-203

E 9 90R-02A0111/3530



Ate - Teves

122.8x56.3x16.4
123.1x61.3x16.4

WVA
22388
25008

MAKE
AUDI
SEAT
SKODA
VW



Trac.	CC	Kw	CV
-------	----	----	----



Front / Rear

### AUDI

#### Q2 (GAB, GAG) 06.16-

#### SUV (Compact SUV-J Segment)

Model	Part	Fuel	Trac.	CC	Kw	CV	Year	Application
30 TFSI	PR 1KE, PR 2EJ, PR 0N1, discØ 272	Gasolina	FWD	999	81	110	08.20-	■
1.0 TFSI (CHZJ)	PR 1KE, PR 2EJ, PR 0N1, discØ 272	Gasolina	FWD	999	85	115	10.16-10.20	■
30 TFSI (DKRF)	PR 1KE, PR 2EJ, PR 0N1, discØ 272	Gasolina	FWD	999	85	116	07.18-	■
1.4	PR 1KE, PR 2EJ, PR 0N1, PR 2EC, PR 2EL	Gasolina	FWD	1395	110	150	06.21-	■
1.6 TDI (DDYA)	PR 1KE, PR 2EJ, PR 0N1, discØ 272	Diesel	FWD	1598	85	115	06.16-07.18	■
30 TDI (DGTE)	PR 1KE, PR 2EJ, PR 0N1, discØ 272	Diesel	FWD	1598	85	115	07.18-10.20	■
30 TDI	PR 1KE, PR 2EJ, PR 0N1, discØ 272	Diesel	FWD	1968	85	116	02.21-	■

### SEAT

#### ATECA (KH7, KHP) 04.16-

#### SUV (Compact SUV-J Segment)

Model	Part	Fuel	Trac.	CC	Kw	CV	Year	Application
1.0 TSI	discØ 272	Gasolina	FWD	999	81	110	09.20-	■
2.0 TDI	discØ 272	Diesel	FWD	1968	85	116	01.21-	■

### SKODA

#### KAROQ (NU7, ND7) 07.17-

#### SUV (Compact Crossover CUV-C Segment)

Model	Part	Fuel	Trac.	CC	Kw	CV	Year	Application
1.4 TSI 4x4 (CZEA)	PR 0N1	Gasolina	4WD	1395	110	150	09.19-	■

### VW

#### TAOS (CL1, CP1, CQ1) 07.20-

#### SUV (Compact Crossover CUV-C Segment)

Model	Part	Fuel	Trac.	CC	Kw	CV	Year	Application
1.4 TSI (DSJA)	PR 2EJ, PR 0N1, discØ 272	Gasolina	FWD	1395	110	150	10.20-	■
1.4 TSI 4motion	PR 2EJ	Gasolina	4WD	1395	110	150	05.21-	■

## LISTA DE APLICACIONES - BUYERS GUIDE

1.5 TSI (DNKA)	PR 2EJ	Gasolina	FWD	1498	118	160	02.21-	■	
1.5 TSI 4motion (DNKA)	PR 2EJ	Gasolina	4WD	1498	118	160	02.21-	■	
1.6 MPi	PR 2EJ, PR 0N1, discØ 272	Gasolina	FWD	1598	81	110	07.21-	■	
1.4 250 TSI Total Flex (CWLA)	PR 2EJ	Gasol./Etanol	FWD	1395	110	150	06.21-	■	
<b>T-ROC (A11, D11) 07.17-</b>						<b>SUV (Mini SUV-J Segment)</b>			
1.0 TSI		Gasolina	FWD	999	81	110	09.20-	■	
1.0 TSI (CHZJ)		Gasolina	FWD	999	85	116	07.17-	■	
1.0 TSI (DKRF)		Gasolina	FWD	999	85	116	07.17-	■	
1.5 TSI (DADA)		Gasolina	FWD	1498	110	150	11.17-	■	
1.5 TSI (DPCA)		Gasolina	FWD	1498	110	150	11.17-	■	
2.0 TSI 4motion (CZPB)		Gasolina	4WD	1984	140	190	07.17-	■	
2.0 TSI 4motion (DKZA)		Gasolina	4WD	1984	140	190	07.17-	■	
1.6 TDI (DGTE)		Diesel	FWD	1598	85	115	03.18-06.21	■	
2.0 TDI SCR	PR 1KE, PR 2EC, PR 2EG, PR 2EJ, PR 0N1, discØ 272	Diesel	FWD	1968	85	116	11.20-	■	
2.0 TDI (DFFA)		Diesel	FWD	1968	110	150	03.18-	■	
2.0 TDI 4motion (DFFA)		Diesel	4WD	1968	110	150	09.17-	■	
2.0 TDI 4motion (DFHA)		Diesel	4WD	1968	140	190	07.19-06.21	■	