

LISTA DE APLICACIONES - BUYERS GUIDE

182104

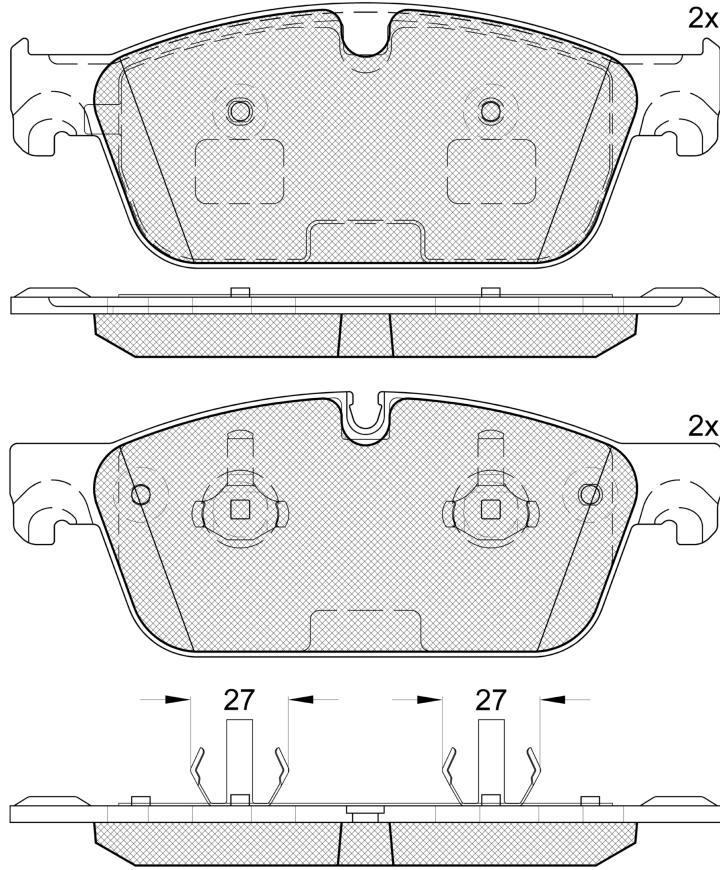


8 424073 105967

Qty: 300

Weight: 2.590

O.E.M.	MAKE
006 420 37 20	MERCEDES-BENZ



182104

E 9 90R-02A0111/3649



Ate - Teves

192.6x72.1x16.9

193.1x72x16.9

WVA	FMSI
25531	D1636-8857
25532	
MAKE	
MERCEDES-BENZ	



Trac.	CC	Kw	CV
-------	----	----	----



Front / Rear

MERCEDES-BENZ

GL-Class II (X166) 07.12-

SUV (Luxury Crossover SUV-J Segment)

GL 400 4-matic (166.856) (M 276.821)	AMG Sports Package, USA	Gasolina	4WD	2996	245	333	08.13-10.15	■
GL 450 4-matic (166.864)	AMG Sports Package, USA	Gasolina	4WD	2996	270	367	09.14-10.15	■
GL 500 4-matic (166.873) (M 278.928)	AMG Sports Package, USA	Gasolina	4WD	4663	320	435	07.12-10.15	■
GL 350 CDI / BlueTEC 4-matic (166.824) (OM 642.826)	AMG Sports Package, USA	Diesel	4WD	2987	190	258	07.12-10.15	■

GLE-Class (W166) 04.15-

SUV (Executive SUV-J Segment)

500 (166.073)	not AMG sports pack., USA	Gasolina	FWD	4663	300	408	04.15-	■
500 4-matic (166.073) (M 278.928)	not AMG sports pack., USA	Gasolina	4WD	4663	320	435	04.15-10.18	■
500 4-matic (166.073) (M 278.928)	not AMG sports pack., USA	Gasolina	4WD	4663	335	456	10.15-10.18	■
500 e 4-matic (166.063) (M 276.821)	not AMG sports pack., USA	Gasol./el éc.	4WD	2996	245	333	04.15-10.18	■
500 e 4-matic (166.063) (M 276.821)	not AMG sports pack., USA	Gasol./el éc.	4WD	2996	325	442	04.15-10.18	■

GLS-Class II (X166) 11.15-

SUV (Luxury Crossover SUV-J Segment)

400 4-matic (166.856) (M 276.821)	AMG Sports Package, USA	Gasolina	4WD	2996	245	333	11.15-04.19	■
500 4-matic (166.873) (M 278.928)	not AMG sports pack., USA	Gasolina	4WD	4663	335	456	11.15-04.19	■
350 d 4-matic (166.824) (OM 642.826)	AMG Sports Package, USA	Diesel	4WD	2987	190	258	11.15-04.19	■

M-Class III (W166) 06.11-

SUV (Executive SUV-J Segment)

ML 350 4-matic (166.057) (M 276.955)		Gasolina	4WD	3498	225	306	06.11-12.15	■
ML 500 4-matic (166.073) (M 278.928)	USA	Gasolina	4WD	4663	300	408	02.12-02.15	■
ML 350 CDI 4-matic (166.023) (OM 642.940)		Diesel	4WD	2987	170	231	06.11-02.15	■