

LISTA DE APLICACIONES - BUYERS GUIDE

182105

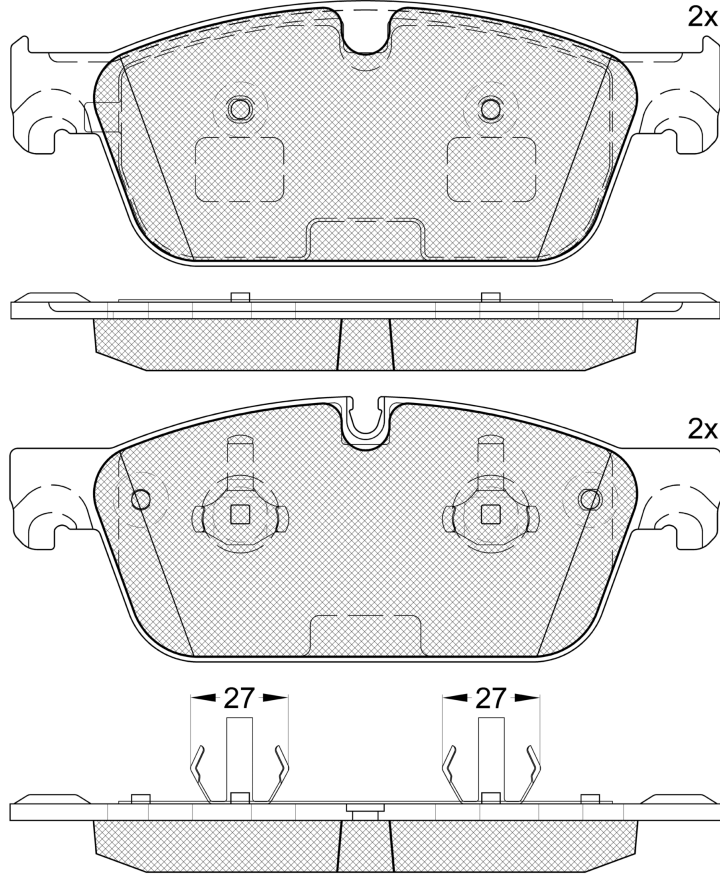


8 424073 105974

Qty: 300

Weight: 2.705

O.E.M.	MAKE
000 420 12 05	MERCEDES-BENZ
0004200405	MERCEDES-BENZ
006 420 36 20	MERCEDES-BENZ
007 420 09 20	MERCEDES-BENZ
007 420 79 20	MERCEDES-BENZ
008 420 00 20	MERCEDES-BENZ



182105

E 9 90R-02A0111/3656



Ate - Teves

192.6x72.1x19.2

193.1x72x19.2

WVA	FMSI
25531	D1636-8955
25532	
MAKE	
MERCEDES-BENZ	



Trac.	CC	Kw	CV
-------	----	----	----



Front / Rear

MERCEDES-BENZ

GL-Class II (X166) 07.12-

SUV (Luxury Crossover SUV-J Segment)

Model	Package	Fuel	Drivetrain	CC	Kw	CV	Year Range	Icon
GL 400 4-matic (166.856) (M 276.821)	AMG Sports Package	Gasolina	4WD	2996	245	333	08.13-10.15	■
GL 450 4-matic (166.864)	AMG Sports Package	Gasolina	4WD	2996	270	367	09.14-10.15	■
GL 500 4-matic (166.873) (M 278.928)		Gasolina	4WD	4663	300	408	07.14-10.15	■
GL 500 4-matic (166.873) (M 278.928)	AMG Sports Package	Gasolina	4WD	4663	320	435	07.12-10.15	■
GL 350 CDI / BlueTEC 4-matic (166.824) (OM 642.826)		Diesel	4WD	2987	183	249	07.12-10.15	■
GL 350 CDI / BlueTEC 4-matic (166.824) (OM 642.826)	AMG Sports Package	Diesel	4WD	2987	190	258	07.12-10.15	■

GLE-Class (C292) 03.15-

SUV (Executive SUV-J Segment)

Model	Package	Fuel	Drivetrain	CC	Kw	CV	Year Range	Icon
320 4-matic (166.062) (M 276.821)	AMG Sports Package	Gasolina	4WD	2996	200	272	10.15-10.18	■
400 4-matic (166.056) (M 276.821)	Eq.V_ B4, USA	Gasolina	4WD	2996	245	333	04.15-10.18	■
400 4-matic (166.056) (M 276.825)	Eq.V_ B4, USA	Gasolina	4WD	2996	245	333	04.15-10.18	■
400 4-matic (292.356) (M 276.821)		Gasolina	4WD	2996	245	333	03.15-10.19	■
400 4-matic (292.356) (M 276.825)		Gasolina	4WD	2996	245	333	03.15-10.19	■
450 AMG 4-matic (166.064) (M 276.821)	not sports package	Gasolina	4WD	2996	270	367	10.15-10.18	■
450 AMG 4-matic (292.364) (M 276.821)		Gasolina	4WD	2996	270	367	03.15-10.19	■
AMG 43 4-matic (166.064) (M 276.821)	not sports package	Gasolina	4WD	2996	270	367	05.16-10.18	■
AMG 43 4-matic (292.364) (M 276.821)		Gasolina	4WD	2996	270	367	05.16-10.19	■
AMG 43 4-matic (166.064) (M 276.821)		Gasolina	4WD	2996	287	390	06.17-10.18	■
AMG 43 4-matic (292.364) (M 276.821)		Gasolina	4WD	2996	287	390	06.17-10.19	■
500 (166.073)	AMG Sports Package, USA	Gasolina	FWD	4663	300	408	04.15-	■
500 4-matic (166.073) (M 278.928)	AMG Sports Package, USA	Gasolina	4WD	4663	320	435	04.15-10.18	■
500 4-matic (166.073) (M 278.928)	AMG Sports Package, USA	Gasolina	4WD	4663	335	456	10.15-10.18	■
500 4-matic (292.373) (M 278.928)		Gasolina	4WD	4663	335	456	10.15-10.19	■

LISTA DE APLICACIONES - BUYERS GUIDE

AMG 63 4-matic (166.074) (M 157.982)	AMG Sports Package	Gasolina	4WD	5461	386	525	04.15-05.17	■	
AMG 63 4-matic (166.074) (M 157.982)	AMG Sports Package, armoured vehicles, SA Z04,Z05	Gasolina	4WD	5461	410	557	04.15-10.18	■	
AMG 63 S 4-matic (166.075) (M 157.982)	AMG Sports Package, armoured vehicles, SA Z04,Z05	Gasolina	4WD	5461	430	585	04.15-10.18	■	
500 e 4-matic (166.063) (M 276.821)	AMG Sports Package, USA	Gasol./el éc.	4WD	2996	245	333	04.15-10.18	■	
500 e 4-matic (166.063) (M 276.821)	AMG Sports Package, USA	Gasol./el éc.	4WD	2996	325	442	04.15-10.18	■	
250 d (166.006) (OM 651.960)	Eq.V_ B4/B5	Diesel	RWD	2143	150	204	04.15-10.18	■	
250 d 4-matic (166.004) (OM 651.960)	Eq.V_ B4/B5	Diesel	4WD	2143	150	204	04.15-10.18	■	
350 d 4-matic (166.024) (OM 642.826)		Diesel	4WD	2987	183	249	04.15-10.18	■	
350 d 4-matic (166.024) (OM 642.826)	Eq.V_ B4, USA	Diesel	4WD	2987	190	258	04.15-10.18	■	
GLS-Class II (X166) 11.15-					SUV (Luxury Crossover SUV-J Segment)				
400 4-matic (166.856) (M 276.821)	AMG Sports Package	Gasolina	4WD	2996	245	333	11.15-04.19	■	
450 (166.864)	not sports package	Gasolina	FWD	2996	270	367	06.16-	■	
500 4-matic (166.873) (M 278.928)	AMG Sports Package, USA	Gasolina	4WD	4663	335	456	11.15-04.19	■	
350 d 4-matic (166.824) (OM 642.826)		Diesel	4WD	2987	183	249	01.17-04.19	■	
350 d 4-matic (166.824) (OM 642.826)	AMG Sports Package	Diesel	4WD	2987	190	258	11.15-04.19	■	
M-Class III (W166) 06.11-					SUV (Executive SUV-J Segment)				
ML 400 4-matic (166.056) (M 276.821)		Gasolina	4WD	2996	245	333	08.13-02.15	■	
ML 300 4-matic (166.055) (M 276.955)		Gasolina	4WD	3498	183	249	08.12-02.15	■	
ML 300 4-matic (166.055) (M 276.955)	not sports package	Gasolina	4WD	3498	185	252	08.12-02.15	■	
ML 350 4-matic (166.057) (M 276.955)	not AMG sports pack.	Gasolina	4WD	3498	225	306	06.11-12.15	■	
ML 500 4-matic (166.073) (M 278.928)		Gasolina	4WD	4663	300	408	02.12-02.15	■	
ML 63 AMG 4-matic (166.074) (M 157.982)		Gasolina	4WD	5461	386	525	11.11-02.15	■	
ML 63 AMG 4-matic (166.074) (M 157.982)		Gasolina	4WD	5461	410	558	11.11-02.15	■	
ML 250 CDI / BlueTEC 4-matic (166.004, 166.003) (OM 651.960)		Diesel	4WD	2143	150	204	06.11-12.15	■	
ML 350 CDI 4-matic (166.023) (OM 642.940)		Diesel	4WD	2987	170	231	06.11-02.15	■	
ML 350 BlueTEC 4-matic (166.024, 166.023) (OM 642.826)		Diesel	4WD	2987	190	258	06.11-02.15	■	
ML 350 BlueTEC 4-matic (166.024, 166.023) (OM 642.864)		Diesel	4WD	2987	190	258	06.11-02.15	■	