

LISTA DE APLICACIONES - BUYERS GUIDE

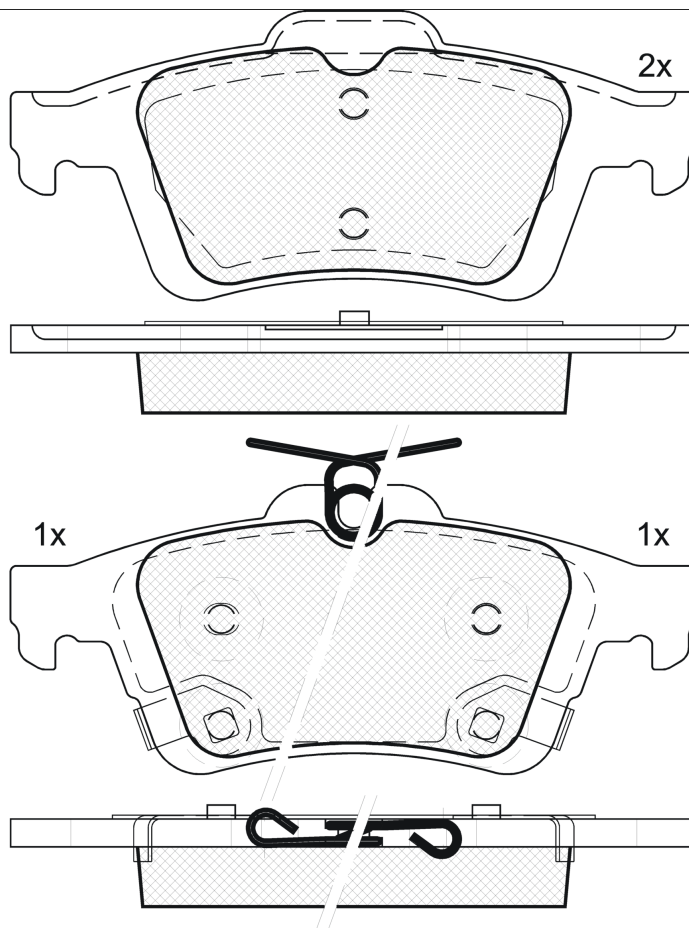
182106



Qty: 944

Weight: 980

O.E.M.	MAKE
1 936 698	FORD
2 019 129	FORD
3 134 133 1	VOLVO
BV6Z-2200-C	FORD
CV6Z-2200-A	FORD
CV6Z-2299-A	FORD
G1FY-2M008-AB	FORD
G1FY-2M008-AC	FORD
G1FZ-2200-A	FORD
GN1Z-2200-D	FORD USA
GN1Z-2200-E	FORD



182106

E 9 90R-02A0110/3597



Ate - Teves

123.1x51.9x16.4

WVA	FMSI
22737	D1564-7957
22738	D1564-9160
25212	

MAKE
CITROËN
FORD
FORD AUSTRALIA
FORD USA
VOLVO



Trac.	CC	Kw	CV		
				Front / Rear	

CITROËN

C4 II (NC_) 02.09-							Hatchback (Compact car-C Segment)		
2.0 Flex	01/16-	Gasolina	FWD	1997	103	140	11.09-		■
2.0 Flex	01/16-	Gasolina	FWD	1997	111	151	11.09-		■

C4 II (NC_) 01.13-							Saloon (Compact car-C Segment)		
2.0 Flex	01/16-	Gasolina	FWD	1997	111	151	08.13-		■

FORD

C-MAX II 10.10-							Box Body/MPV (LCVs-N1 Segment)		
1.0 EcoBoost (M2DA)		Gasolina	FWD	998	74	100	10.12-06.19		■
1.0 EcoBoost (M2DC)		Gasolina	FWD	998	74	100	10.12-06.19		■
1.0 EcoBoost (B7DA)		Gasolina	FWD	998	92	125	10.12-06.19		■
1.0 EcoBoost (M1DA)		Gasolina	FWD	998	92	125	10.12-06.19		■
1.0 EcoBoost (M1DD)		Gasolina	FWD	998	92	125	10.12-06.19		■
1.5 EcoBoost (M8DB)		Gasolina	FWD	1498	110	150	03.15-06.19		■
1.5 EcoBoost (M9DB)		Gasolina	FWD	1498	134	182	03.15-06.19		■
1.6 EcoBoost (JQDA)		Gasolina	FWD	1596	110	150	12.10-06.19		■
1.6 EcoBoost (JQDB)		Gasolina	FWD	1596	110	150	12.10-06.19		■
1.5 TDCi EOnetic (AEDA)		Diesel	FWD	1499	77	105	03.15-06.19		■
1.5 TDCi (XWDA)		Diesel	FWD	1499	88	120	03.15-06.19		■
1.5 TDCi (XWDB)		Diesel	FWD	1499	88	120	03.15-06.19		■
1.5 TDCi (XWDC)		Diesel	FWD	1499	88	120	03.15-06.19		■
1.5 TDCi (XWDD)		Diesel	FWD	1499	88	120	03.15-06.19		■
1.5 TDCi (XWDE)		Diesel	FWD	1499	88	120	03.15-06.19		■
1.6 TDCi (T3DA)		Diesel	FWD	1560	70	95	12.10-06.19		■

LISTA DE APLICACIONES - BUYERS GUIDE

1.6 TDCi (T3DB)		Diesel	FWD	1560	70	95	12.10-06.19	■	
1.6 TDCi (T1DA)		Diesel	FWD	1560	85	115	12.10-06.19	■	
1.6 TDCi (T1DB)		Diesel	FWD	1560	85	115	12.10-06.19	■	
2.0 TDCi (TYDA)		Diesel	FWD	1997	85	115	02.11-06.19	■	
2.0 TDCi (UFDB)		Diesel	FWD	1997	103	140	02.11-06.19	■	
2.0 TDCi (T7DB)		Diesel	FWD	1997	110	150	03.15-06.19	■	
2.0 TDCi (T7DC)		Diesel	FWD	1997	110	150	03.15-06.19	■	
2.0 TDCi (TXDB)		Diesel	FWD	1997	120	163	12.10-06.19	■	
2.0 TDCi (T8DE)		Diesel	FWD	1997	125	170	03.15-06.19	■	
C-MAX II (DXA/CB7, DXA/CEU) 04.10-					MPV (Compact MPV-M1 Segment)				
1.0 EcoBoost (M2DA)	01/13-	Gasolina	FWD	998	74	100	10.12-06.19	■	
1.0 EcoBoost (M2DC)	01/13-	Gasolina	FWD	998	74	100	10.12-06.19	■	
1.0 EcoBoost (B7DA)	01/13-	Gasolina	FWD	998	92	125	10.12-06.19	■	
1.0 EcoBoost (M1DA)	01/13-	Gasolina	FWD	998	92	125	10.12-06.19	■	
1.0 EcoBoost (M1DD)	01/13-	Gasolina	FWD	998	92	125	10.12-06.19	■	
1.6 Ti (XTDA)	01/13-	Gasolina	FWD	1596	63	85	12.10-06.19	■	
1.6 Ti (XTDB)	01/13-	Gasolina	FWD	1596	63	85	12.10-06.19	■	
1.6 Ti (IQDA)	01/13-	Gasolina	FWD	1596	77	105	12.10-06.19	■	
1.6 Ti (IQDB)	01/13-	Gasolina	FWD	1596	77	105	12.10-06.19	■	
1.6 Ti (PNDA)	01/13-	Gasolina	FWD	1596	92	125	12.10-06.19	■	
1.6 Ti (PNDD)	01/13-	Gasolina	FWD	1596	92	125	12.10-06.19	■	
1.6 EcoBoost (JQDA)	01/13-	Gasolina	FWD	1596	110	150	12.10-06.19	■	
1.6 EcoBoost (JQDB)	01/13-	Gasolina	FWD	1596	110	150	12.10-06.19	■	
1.6 EcoBoost (JTDA)	01/13-	Gasolina	FWD	1596	134	182	12.10-06.19	■	
1.6 EcoBoost (JTDB)	01/13-	Gasolina	FWD	1596	134	182	12.10-06.19	■	
1.6 LPG (MUDA)	01/13-	Gasol./Gas (LPG)	FWD	1596	88	120	02.12-06.19	■	
1.6 LPG (MUDD)	01/13-	Gasol./Gas (LPG)	FWD	1596	88	120	02.12-06.19	■	
1.6 Flexifuel (MUDA)	01/13-	Gasol./Etanol	FWD	1596	88	120	02.11-06.19	■	
1.6 Flexifuel (MUDD)	01/13-	Gasol./Etanol	FWD	1596	88	120	02.11-06.19	■	
1.6 TDCi (T3DA)	01/13-	Diesel	FWD	1560	70	95	12.10-06.19	■	
1.6 TDCi (T3DB)	01/13-	Diesel	FWD	1560	70	95	12.10-06.19	■	
1.6 TDCi (T1DA)	01/13-	Diesel	FWD	1560	85	115	12.10-06.19	■	
1.6 TDCi (T1DB)	01/13-	Diesel	FWD	1560	85	115	12.10-06.19	■	
2.0 TDCi (TYDA)	01/13-	Diesel	FWD	1997	85	115	02.11-06.19	■	
2.0 TDCi (UKDB)	01/13-	Diesel	FWD	1997	100	136	02.11-06.19	■	
2.0 TDCi (UFDB)	01/13-	Diesel	FWD	1997	103	140	04.10-06.19	■	
2.0 TDCi (TXDB)	01/13-	Diesel	FWD	1997	120	163	12.10-06.19	■	
ECOSPORT II 09.11-					SUV (Mini SUV-J Segment)				
1.0 EcoBoost (SFJL)		Gasolina	FWD	998	74	100	04.18-	■	
1.0 Ti-VCT Ecoboost	01/18-	Gasolina	FWD	998	88	120	08.12-	■	
1.0 EcoBoost (M1JC)	01/18-	Gasolina	FWD	998	92	125	10.13-	■	
1.0 EcoBoost (M1JJ)	01/18-	Gasolina	FWD	998	92	125	10.13-	■	
1.0 EcoBoost (M1JU)	01/18-	Gasolina	FWD	998	92	125	10.13-	■	
1.0 EcoBoost (YYJD)	01/18-	Gasolina	FWD	998	103	140	03.16-	■	
FOCUS III (C346) 07.10-					Hatchback (Compact car-C Segment)				
2.0 ST	01/16-	Gasolina	FWD	1997	186	253	09.13-	■	
2.0 ST (R9DA)	01/16-	Gasolina	FWD	1999	184	250	07.12-12.17	■	
2.0 ST (R9DB)	01/16-	Gasolina	FWD	1999	184	250	07.12-12.17	■	

LISTA DE APLICACIONES - BUYERS GUIDE

2.0 ST (R9DC)	01/16-	Gasolina	FWD	1999	184	250	07.12-12.17	■	
2.0 ST (R9DD)	01/16-	Gasolina	FWD	1999	184	250	07.12-12.17	■	
2.3 RS AWD (YVDA)		Gasolina	4WD	2261	257	350	07.15-02.18	■	
FOCUS III Turnier (C346) 07.10-					Estate (Compact car-C Segment)				
2.0 ST (R9DA)	01/16-	Gasolina	FWD	1999	184	250	07.12-02.20	■	
2.0 ST (R9DB)	01/16-	Gasolina	FWD	1999	184	250	07.12-02.20	■	
2.0 ST (R9DC)	01/16-	Gasolina	FWD	1999	184	250	07.12-02.20	■	
2.0 ST (R9DD)	01/16-	Gasolina	FWD	1999	184	250	07.12-02.20	■	
KUGA II / ESCAPE III (DM2) 05.12-					SUV (Compact SUV-J Segment)				
1.5 EcoBoost (BNMA)		Gasolina	FWD	1499	88	120	01.16-06.19	■	
1.5 EcoBoost (M8MA)	01/16-	Gasolina	FWD	1499	110	150	09.14-06.19	■	
1.5 EcoBoost 4x4 (M9MA)	01/16-	Gasolina	4WD	1499	134	182	09.14-06.18	■	
1.6 EcoBoost (JQMA)		Gasolina	FWD	1596	110	150	03.13-09.14	■	
1.6 EcoBoost (JQMB)		Gasolina	FWD	1596	110	150	03.13-09.14	■	
1.6 EcoBoost 4x4 (JQMA)		Gasolina	4WD	1596	110	150	03.13-09.14	■	
1.6 EcoBoost 4x4 (JQMB)		Gasolina	4WD	1596	110	150	03.13-09.14	■	
1.6 EcoBoost	01/16-	Gasolina	FWD	1596	130	177	01.13-	■	
1.6 EcoBoost 4x4 (JTMA)		Gasolina	4WD	1596	134	182	03.13-09.14	■	
1.6	01/16-	Gasolina	FWD	1601	133	181	03.13-	■	
2.0 4x4		Gasolina	4WD	1999	179	243	03.13-06.16	■	
2.5		Gasolina	FWD	2488	125	170	09.13-	■	
2.0 TDCi (TYMA)	01/16-	Diesel	FWD	1997	85	115	03.13-12.19	■	
2.0 TDCi (XRMA)	01/16-	Diesel	FWD	1997	88	120	09.14-06.19	■	
2.0 TDCi (XRMB)	01/16-	Diesel	FWD	1997	88	120	09.14-06.19	■	
2.0 TDCi (UKMA)	01/16-	Diesel	FWD	1997	100	136	03.13-12.19	■	
2.0 TDCi 4x4 (UKMA)	01/16-	Diesel	4WD	1997	100	136	03.13-12.19	■	
2.0 TDCi (UFMA)		Diesel	FWD	1997	103	140	03.13-09.14	■	
2.0 TDCi 4x4 (UFMA)		Diesel	4WD	1997	103	140	03.13-09.14	■	
2.0 TDCi (T7MA)	01/16-	Diesel	FWD	1997	110	150	09.14-06.19	■	
2.0 TDCi (T7MB)	01/16-	Diesel	FWD	1997	110	150	09.14-06.19	■	
2.0 TDCi (T7MC)	01/16-	Diesel	FWD	1997	110	150	09.14-06.19	■	
2.0 TDCi (T7MD)	01/16-	Diesel	FWD	1997	110	150	09.14-06.19	■	
2.0 TDCi 4x4 (T7MA)	01/16-	Diesel	4WD	1997	110	150	09.14-06.19	■	
2.0 TDCi 4x4 (T7MB)	01/16-	Diesel	4WD	1997	110	150	09.14-06.19	■	
2.0 TDCi 4x4 (TXDA)		Diesel	4WD	1997	120	163	03.13-09.14	■	
2.0 TDCi 4x4 (TXMA)		Diesel	4WD	1997	120	163	03.13-09.14	■	
2.0 TDCi 4x4 (T8MA)	01/16-	Diesel	4WD	1997	132	180	09.14-06.19	■	
2.0 TDCi 4x4 (T8MB)	01/16-	Diesel	4WD	1997	132	180	09.14-06.19	■	
TRANSIT CONNECT II 09.13-					MPV (Large MPV-M1 Segment)				
1.6 EcoBoost	01/16-	Gasolina	FWD	1596	110	150	02.13-	■	
2.5 Duratec	01/16-	Gasolina	FWD	2488	126	171	09.13-	■	
1.5 TDCi (XUGA)		Diesel	FWD	1499	55	75	08.15-	■	
1.5 TDCi (XVGA)	01/16-	Diesel	FWD	1499	74	101	05.15-	■	
1.5 TDCi (XVGB)	01/16-	Diesel	FWD	1499	74	101	05.15-	■	
1.5 TDCi (XVGC)	01/16-	Diesel	FWD	1499	74	101	05.15-	■	
1.5 TDCi (XXGA)	01/16-	Diesel	FWD	1499	74	101	05.15-	■	
1.5 TDCi (XWGA)	01/16-	Diesel	FWD	1499	88	120	05.15-	■	
1.5 TDCi (XWGB)	01/16-	Diesel	FWD	1499	88	120	05.15-	■	
1.5 TDCi (XWGC)	01/16-	Diesel	FWD	1499	88	120	05.15-	■	
1.6 TDCi (UBGA)	01/16-	Diesel	FWD	1560	55	75	09.13-	■	

LISTA DE APLICACIONES - BUYERS GUIDE

1.6 TDCi (TZGA)	01/16-	Diesel	FWD	1560	70	95	09.13-	■	
1.6 TDCi (TZGB)	01/16-	Diesel	FWD	1560	70	95	09.13-	■	
TRANSIT CONNECT II V408 09.13-					Box Body/MPV (LCVs-N1 Segment)				
1.0 EcoBoost (B3GA)	01/16-	Gasolina	FWD	998	74	100	09.13-	■	
1.0 EcoBoost (M2GA)	01/16-	Gasolina	FWD	998	74	100	09.13-	■	
1.0 EcoBoost (M2GB)	01/16-	Gasolina	FWD	998	74	100	09.13-	■	
1.6 EcoBoost (JQGA)	01/16-	Gasolina	FWD	1596	110	150	11.13-	■	
2.5 Duratec	01/16-	Gasolina	FWD	2488	126	171	09.13-	■	
1.5 TDCi (XUGA)	01/16-	Diesel	FWD	1499	55	75	08.15-	■	
1.5 TDCi (XVGA)	01/16-	Diesel	FWD	1499	74	101	05.15-	■	
1.5 TDCi (XVGB)	01/16-	Diesel	FWD	1499	74	101	05.15-	■	
1.5 TDCi (XVGC)	01/16-	Diesel	FWD	1499	74	101	05.15-	■	
1.5 TDCi (XXGA)	01/16-	Diesel	FWD	1499	74	101	05.15-	■	
1.5 TDCi (XWGA)	01/16-	Diesel	FWD	1499	88	120	05.15-	■	
1.5 TDCi (XWGB)	01/16-	Diesel	FWD	1499	88	120	05.15-	■	
1.5 TDCi (XWGC)	01/16-	Diesel	FWD	1499	88	120	05.15-	■	
1.6 TDCi (UBGA)	01/16-	Diesel	FWD	1560	55	75	09.13-	■	
1.6 TDCi (TZGA)	01/16-	Diesel	FWD	1560	70	95	09.13-	■	
1.6 TDCi (TZGB)	01/16-	Diesel	FWD	1560	70	95	09.13-	■	
1.6 TDCi (T1GA)	01/16-	Diesel	FWD	1560	85	115	09.13-	■	
FORD AUSTRALIA									
FOCUS (LZ) 05.15-					Hatchback (Compact car-C Segment)				
2.3 RS		Gasolina	FWD	2261	257	350	11.15-	■	
FORD USA									
ECOSPORT (U.S.A.) 06.02-					SUV (Mini SUV-J Segment)				
1.0 XL Supercharged	01/18-	Gasolina	FWD	999	70	95	06.02-	■	
VOLVO									
C30 (533) 09.06-12.13					Hatchback (Compact car-C Segment)				
1.6 (B 4164 S3)		Gasolina	FWD	1596	74	100	10.06-12.12	■	
1.8 (B 4184 S11)		Gasolina	FWD	1798	92	125	10.06-12.12	■	
2.0 (B 4204 S3)		Gasolina	FWD	1999	107	145	10.06-12.12	■	
2.4 i (B 5244 S4)		Gasolina	FWD	2435	125	170	10.06-12.12	■	
T5 (B 5254 T3)		Gasolina	FWD	2521	162	220	10.06-12.12	■	
T5 (B 5254 T7)		Gasolina	FWD	2521	169	230	03.07-12.12	■	
T5		Gasolina	FWD	2521	184	250	10.07-12.13	■	
1.8 Flexfuel (B 4184 S8)		Gasol./Etanol	FWD	1798	92	125	01.07-12.12	■	
2.0 FlexFuel (B 4204 S4)		Gasol./Etanol	FWD	1999	107	146	01.10-12.12	■	
1.6 D (D 4164 T)		Diesel	FWD	1560	80	109	10.06-12.12	■	
D2 (D 4162 T)		Diesel	FWD	1560	84	115	10.10-12.12	■	
D3 (D 5204 T5)		Diesel	FWD	1984	110	150	10.10-12.12	■	
D4 (D 5204 T)		Diesel	FWD	1984	130	177	10.10-12.12	■	
2.0 D (D 4204 T)		Diesel	FWD	1998	100	136	10.06-12.12	■	
D5 (D 5244 T9)		Diesel	FWD	2400	120	163	10.06-12.12	■	
D5 (D 5244 T13)		Diesel	FWD	2400	132	180	10.06-12.12	■	
D5 (D 5244 T8)		Diesel	FWD	2400	132	180	10.06-12.12	■	
C70 II (542) 03.06-12.13					Convertible (Pony car-F Segment)				
2.4 (B 5244 S5)		Gasolina	FWD	2435	103	140	03.06-10.09	■	
2.4 i (B 5244 S4)		Gasolina	FWD	2435	125	170	03.06-10.09	■	

LISTA DE APLICACIONES - BUYERS GUIDE

T5 (B 5254 T3)		Gasolina	FWD	2521	162	220	03.06-02.07	■	
T5 (B 5254 T7)		Gasolina	FWD	2521	169	230	03.07-06.13	■	
D3 (D 5204 T5)	01/13-	Diesel	FWD	1984	110	150	10.10-06.13	■	
D4 (D 5204 T)	01/13-	Diesel	FWD	1984	130	177	10.10-06.13	■	
2.0 D (D 4204 T)		Diesel	FWD	1998	100	136	01.08-10.09	■	
D5 (D 5244 T13)	01/13-	Diesel	FWD	2400	132	180	03.06-06.13	■	
D5 (D 5244 T8)	01/13-	Diesel	FWD	2400	132	180	03.06-06.13	■	
S40 II (544) 12.03-12.12							Saloon (Compact executive car-D Segment)		
1.6 (B 4164 S3)		Gasolina	FWD	1596	74	101	01.05-12.12	■	
1.8 (B 4184 S11)		Gasolina	FWD	1798	92	125	04.04-12.10	■	
2.0 (B 4204 S3)		Gasolina	FWD	1999	107	146	10.06-12.12	■	
2.4 (B 5244 S5)		Gasolina	FWD	2435	103	140	01.04-12.10	■	
2.4 (B 5244 S4)		Gasolina	FWD	2435	125	170	01.04-12.12	■	
2.4 AWD		Gasolina	4WD	2435	125	170	08.06-12.12	■	
T5 (B 5254 T3)		Gasolina	FWD	2521	162	220	01.04-12.07	■	
T5 AWD (B 5254 T3)		Gasolina	4WD	2521	162	220	04.04-12.07	■	
T5 (B 5254 T7)		Gasolina	FWD	2521	169	230	03.07-12.12	■	
T5 AWD (B 5254 T7)		Gasolina	4WD	2521	169	230	03.07-12.10	■	
1.8 Flexfuel (B 4184 S8)		Gasol./Etanol	FWD	1798	92	125	01.06-12.10	■	
2.0 F (B 4204 S4)		Gasol./Etanol	FWD	1999	107	146	10.09-12.12	■	
1.6 D (D 4164 T)		Diesel	FWD	1560	81	110	01.05-12.12	■	
D2 (D 4162 T)		Diesel	FWD	1560	84	115	10.10-12.12	■	
D3 (D 5204 T5)		Diesel	FWD	1984	110	150	10.10-12.12	■	
D4 (D 5204 T)		Diesel	FWD	1984	130	177	10.10-12.12	■	
D4 (D 4204 T2)		Diesel	FWD	1998	96	131	07.05-12.06	■	
2.0 CDI (D 4204 T2)		Diesel	FWD	1998	98	133	07.05-12.06	■	
2.0 D (D 4204 T)		Diesel	FWD	1998	100	136	01.04-12.10	■	
2.4 CDI (D 5244 T9)		Diesel	FWD	2400	120	163	03.07-12.10	■	
D5 (D 5244 T13)		Diesel	FWD	2400	132	179	03.06-12.10	■	
D5 (D 5244 T8)		Diesel	FWD	2400	132	179	03.06-12.10	■	
V40 (526) 09.13-12.15							Hatchback Van (Compact executive car-D Segment)		
1.6 D2/ DRIVe		Diesel	FWD	1560	84	114	09.13-12.15	■	
2.0 D3		Diesel	FWD	1984	110	150	09.13-12.15	■	
2.0 D4		Diesel	FWD	1984	130	177	09.13-12.14	■	
V40 (526) 10.12-08.19							Hatchback (Compact executive car-D Segment)		
T3		Gasolina	FWD	1498	112	152	04.15-08.19	■	
T4 GTDi		Gasolina	FWD	1596	132	180	10.12-12.16	■	
T3		Gasolina	FWD	1969	112	152	02.15-08.19	■	
T4		Gasolina	FWD	1969	140	190	08.15-08.19	■	
T4 AWD (B 4204 T21)		Gasolina	4WD	1969	140	190	05.14-08.19	■	
T5 AWD (B 4204 T11)		Gasolina	4WD	1969	180	245	05.14-08.19	■	
T5 AWD (B 4204 T41)		Gasolina	4WD	1969	180	245	05.14-08.19	■	
T5 Polestar AWD (B 4204 T11)		Gasolina	4WD	1969	186	253	01.15-08.19	■	
T4		Gasolina	FWD	1984	132	180	10.13-12.15	■	
T4 AWD (B 5204 T8)		Gasolina	4WD	1984	132	180	07.13-12.15	■	
T5		Gasolina	FWD	1984	157	214	02.13-12.15	■	
T5 AWD (B 5204 T9)		Gasolina	4WD	1984	157	214	03.13-12.15	■	
T5		Gasolina	FWD	2497	183	249	01.14-12.15	■	
T5 AWD		Gasolina	4WD	2497	183	249	01.14-12.15	■	

LISTA DE APLICACIONES - BUYERS GUIDE

T5		Gasolina	FWD	2497	187	254	10.12-12.16	■	
T5 AWD (B 5254 T12)		Gasolina	4WD	2497	187	254	10.12-12.16	■	
D2		Diesel	FWD	1560	84	114	10.12-12.16	■	
D2		Diesel	FWD	1969	88	120	02.15-08.19	■	
D3		Diesel	FWD	1969	110	150	04.15-08.19	■	
D4		Diesel	FWD	1969	140	190	05.14-08.19	■	
D4 Polestar		Diesel	FWD	1969	147	200	05.14-08.19	■	
D3		Diesel	FWD	1984	110	150	10.12-03.15	■	
D4		Diesel	FWD	1984	130	177	10.12-12.14	■	
V40 II (525) 09.13-12.15							Hatchback Van (Compact executive car-D Segment)		
1.6 D2/ DRIVe (D 4162 T)		Diesel	FWD	1560	84	114	09.13-12.15	■	
2.0 D3 (D 5204 T6)		Diesel	FWD	1984	110	150	09.13-12.15	■	
2.0 D4 (D 5204 T4)		Diesel	FWD	1984	130	177	09.13-12.14	■	
V40 II (525) 03.12-							Hatchback (Compact executive car-D Segment)		
T2 (B 4154 T3)		Gasolina	FWD	1498	90	122	02.15-08.19	■	
T2 (B 4154 T5)		Gasolina	FWD	1498	90	122	02.15-08.19	■	
T3		Gasolina	FWD	1498	90	122	09.18-	■	
T3 (B 4154 T2)		Gasolina	FWD	1498	112	152	02.15-08.19	■	
T3 (B 4154 T4)		Gasolina	FWD	1498	112	152	02.15-08.19	■	
T2 GTDi (B 4164 T4)		Gasolina	FWD	1596	88	120	04.13-12.16	■	
T3 GTDi (B 4164 T3)		Gasolina	FWD	1596	110	150	03.12-12.16	■	
T4 GTDi (B 4164 T)		Gasolina	FWD	1596	132	180	03.12-12.16	■	
T4 (B 4164 T)		Gasolina	FWD	1596	147	200	04.14-12.15	■	
T2 (B 4204 T17)		Gasolina	FWD	1969	90	122	02.15-08.19	■	
T2 (B 4204 T38)		Gasolina	FWD	1969	90	122	02.15-08.19	■	
T3 (B 4204 T33)		Gasolina	FWD	1969	112	152	02.15-08.19	■	
T3 (B 4204 T37)		Gasolina	FWD	1969	112	152	02.15-08.19	■	
T4 (B 4204 T19)		Gasolina	FWD	1969	140	190	08.15-08.19	■	
T5 (B 4204 T11)		Gasolina	FWD	1969	180	245	05.14-08.19	■	
T5 (B 4204 T41)		Gasolina	FWD	1969	180	245	05.14-08.19	■	
T5 Drive-E Polestar (B 4204 T11)		Gasolina	FWD	1969	186	253	05.14-08.19	■	
T4 (B 5204 T8)		Gasolina	FWD	1984	132	180	07.13-12.15	■	
T5 (B 5204 T9)		Gasolina	FWD	1984	157	214	03.13-12.15	■	
T5 (B 5254 T14)		Gasolina	FWD	2497	183	249	01.14-12.14	■	
T5 (B 5254 T12)		Gasolina	FWD	2497	187	254	12.12-12.14	■	
D2 (D 4162 T)		Diesel	FWD	1560	84	114	03.12-12.16	■	
D2 (D 4204 T13)		Diesel	FWD	1969	88	120	02.15-08.19	■	
D2 (D 4204 T8)		Diesel	FWD	1969	88	120	02.15-08.19	■	
D3 (D 4204 T16)		Diesel	FWD	1969	110	150	04.15-08.19	■	
D3 (D 4204 T9)		Diesel	FWD	1969	110	150	04.15-08.19	■	
D4 (D 4204 T14)		Diesel	FWD	1969	140	190	05.14-08.19	■	
D4 Polestar (D 4204 T14)		Diesel	FWD	1969	147	200	05.14-08.19	■	
D3 (D 5204 T6)		Diesel	FWD	1984	110	150	03.12-03.15	■	
D4 (D 5204 T4)		Diesel	FWD	1984	130	177	03.12-12.14	■	
V50 (545) 12.03-12.12							Estate (Luxury car-F Segment)		
1.6 (B 4164 S3)		Gasolina	FWD	1596	74	101	01.05-12.12	■	
1.8 (B 4184 S11)		Gasolina	FWD	1798	92	125	04.04-12.10	■	
2.0 (B 4204 S3)		Gasolina	FWD	1999	107	146	10.06-12.12	■	
2.4 (B 5244 S5)		Gasolina	FWD	2435	103	140	04.04-12.10	■	
2.4 (B 5244 S4)		Gasolina	FWD	2435	125	170	04.04-12.10	■	

LISTA DE APLICACIONES - BUYERS GUIDE

2.4 AWD (B 5244 S4)		Gasolina	4WD	2435	125	170	08.06-12.09	■
T5 (B 5254 T3)		Gasolina	FWD	2521	162	220	04.04-12.07	■
T5 AWD (B 5254 T3)		Gasolina	4WD	2521	162	220	04.04-12.07	■
T5 (B 5254 T7)		Gasolina	FWD	2521	169	230	03.07-12.12	■
T5 AWD (B 5254 T7)		Gasolina	4WD	2521	169	230	03.07-12.10	■
1.8 Flexfuel (B 4184 S8)		Gasol./Etanol	FWD	1798	92	125	01.05-12.10	■
2.0 FlexFuel (B 4204 S4)		Gasol./Etanol	FWD	1999	107	146	01.10-12.12	■
1.6 D (D 4164 T)		Diesel	FWD	1560	81	110	01.05-12.11	■
D2 (D 4162 T)		Diesel	FWD	1560	84	114	01.10-12.12	■
D3 (D 5204 T5)		Diesel	FWD	1984	110	150	10.10-12.12	■
D4 (D 5204 T)		Diesel	FWD	1984	130	177	10.10-12.12	■
2.0 D (D 4204 T)		Diesel	FWD	1998	100	136	04.04-12.10	■
2.4 TDi (D 5244 T9)		Diesel	FWD	2400	120	163	05.07-12.10	■
D5 (D 5244 T13)		Diesel	FWD	2400	132	179	03.06-12.10	■
D5 (D 5244 T8)		Diesel	FWD	2400	132	179	03.06-12.10	■