

LISTA DE APLICACIONES - BUYERS GUIDE

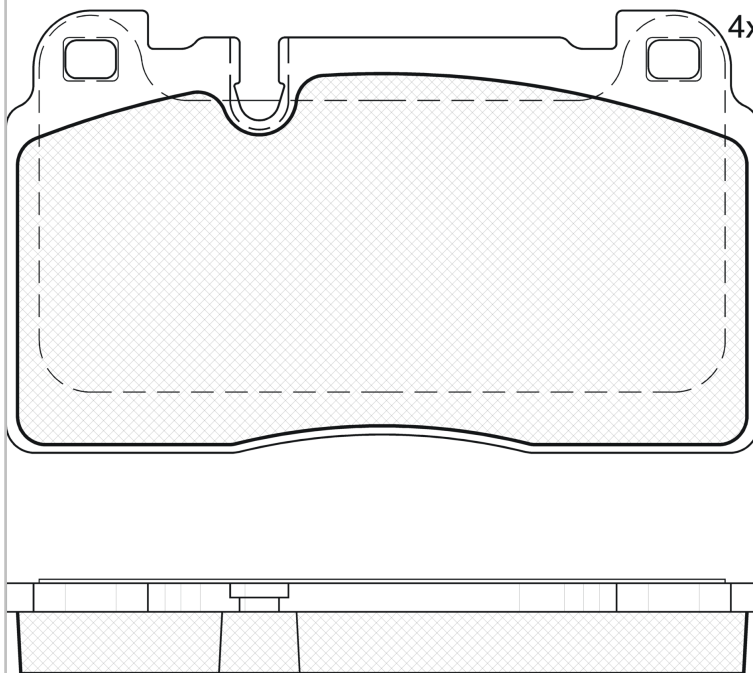
182112



Qty: 300

Weight: 2.340

O.E.M.	MAKE
8R0 698 151 AA	AUDI
8R0 698 151 AB	AUDI
8R0 698 151 B	AUDI
8R0 698 151 C	AUDI
8R0 698 151 D	AUDI
8R0 698 151 E	AUDI
8R0 698 151 G	AUDI
8R0 698 151 H	AUDI
8R0 698 151 J	AUDI
8R0 698 151 K	AUDI
8R0 698 151 L	AUDI
8R0 698 151 M	AUDI
8R0 698 151 N	AUDI
8R0 698 151 T	AUDI
8R0698151AH	AUDI
95B 698 151 AM	PORSCHE
95B 698 151 F	PORSCHE
95B 698 151 H	PORSCHE
9A7 698 151	PORSCHE
9A7 698 151 00	PORSCHE
PAC 698 151	PORSCHE



182112

E 9 90R-02A0111/3590



Brembo

4x

131.7x77.4x16.5

WVA	FMSI
25643	D1663-8891
MAKE	
AUDI	
PORSCHE	



Trac.	CC	Kw	CV
-------	----	----	----



Front / Rear

AUDI

A6 IV C7 (4G2, 4GC) 11.10-

Saloon (Executive car-E Segment)

Model	Year	Fuel	Drive	CC	Kw	CV	Period	Status
1.8 TFSI (CYGA)	01/16-, USA	Gasolina	FWD	1798	140	190	09.14-09.18	■
2.0 TFSI (CDNB)	01/16-, USA	Gasolina	FWD	1984	132	180	05.11-09.18	■
2.0 TFSI (CAED)	01/16-, USA	Gasolina	FWD	1984	162	220	05.13-09.18	■
2.0 TFSI quattro (CAED)	01/16-, USA	Gasolina	4WD	1984	162	220	05.13-09.18	■
2.0 TFSI quattro (CYPB)	01/16-, USA	Gasolina	4WD	1984	183	249	05.15-09.18	■
2.0 TFSI (CYNB)	01/16-, USA	Gasolina	FWD	1984	185	252	09.14-09.18	■
2.0 TFSI (CYPA)	01/16-, USA	Gasolina	FWD	1984	185	252	09.14-09.18	■
2.0 TFSI quattro (CYNB)	01/16-, USA	Gasolina	4WD	1984	185	252	05.14-09.18	■
2.0 TFSI quattro (CYPA)	01/16-, USA	Gasolina	4WD	1984	185	252	05.14-09.18	■
2.8 FSI (CHVA)	USA	Gasolina	FWD	2773	150	204	11.10-04.15	■
2.8 FSI quattro (CHVA)	USA	Gasolina	4WD	2773	150	204	11.10-04.15	■
2.8 FSI quattro (CVPA)		Gasolina	4WD	2773	162	220	09.14-09.18	■
3.0 TFSI quattro (CGWD)	01/16-, USA	Gasolina	4WD	2995	228	310	03.11-09.18	■
3.0 TFSI quattro (CGXB)	01/16-, USA	Gasolina	4WD	2995	228	310	03.11-09.18	■
3.0 TFSI quattro (CTUA)	01/16-, USA	Gasolina	4WD	2995	228	310	03.11-09.18	■
3.0 TFSI quattro (CREC)	01/16-, USA	Gasolina	4WD	2995	245	333	09.14-09.18	■
3.0 TFSI quattro		Gasolina	4WD	2995	250	340	09.16-09.18	■
S6 quattro (CEUC)	01/16-, USA	Gasolina	4WD	3993	309	420	02.12-09.18	■
S6 quattro (CTGE)	01/16-, USA	Gasolina	4WD	3993	331	450	10.14-09.18	■
2.0 TFSI Hybrid (CHJA)	USA	Gasol./el éc.	FWD	1984	180	245	11.11-04.15	■
2.0 TDI (CGLE)	01/16-, USA	Diesel	FWD	1968	100	136	01.12-09.18	■
2.0 TDI (CSUE)	01/16-, USA	Diesel	FWD	1968	100	136	01.12-09.18	■
2.0 TDI (CSUD)	01/16-, USA	Diesel	FWD	1968	110	150	09.14-09.18	■

LISTA DE APLICACIONES - BUYERS GUIDE

2.0 TDI (DDCB)	01/16-, USA	Diesel	FWD	1968	110	150	09.14-09.18	■	
2.0 TDI (CGLD)	01/16-, USA	Diesel	FWD	1968	120	163	03.11-09.18	■	
2.0 TDI (CGLC)	01/16-, USA	Diesel	FWD	1968	130	177	03.11-09.18	■	
2.0 TDI (CMGB)	01/16-, USA	Diesel	FWD	1968	130	177	03.11-09.18	■	
2.0 TDI (CNHA)	01/16-, USA	Diesel	FWD	1968	140	190	11.13-09.18	■	
2.0 TDI (CZJA)	01/16-, USA	Diesel	FWD	1968	140	190	11.13-09.18	■	
2.0 TDI (DDDA)	01/16-, USA	Diesel	FWD	1968	140	190	11.13-09.18	■	
2.0 TDI quattro (CNHA)	01/16-, USA	Diesel	4WD	1968	140	190	04.15-09.18	■	
2.0 TDI quattro (DDDA)	01/16-, USA	Diesel	4WD	1968	140	190	04.15-09.18	■	
2.1 TDI		Diesel	FWD	1968	140	190	01.15-09.18	■	
3.0 TDI (CLAB)	01/16-, USA	Diesel	FWD	2967	150	204	11.10-09.18	■	
3.0 TDI quattro (CLAA)	01/16-, USA	Diesel	4WD	2967	150	204	03.11-09.18	■	
3.0 TDI (CTCB)	01/16-, USA	Diesel	FWD	2967	155	211	09.14-09.18	■	
3.0 TDI (CZVD)	01/16-, USA	Diesel	FWD	2967	155	211	09.14-09.18	■	
3.0 TDI quattro (CRTF)	01/16-, USA	Diesel	4WD	2967	155	211	09.14-09.18	■	
3.0 TDI quattro (CZVC)	01/16-, USA	Diesel	4WD	2967	155	211	09.14-09.18	■	
3.0 TDI (CTCC)	01/16-, USA	Diesel	FWD	2967	160	218	09.14-09.18	■	
3.0 TDI (CZVB)	01/16-, USA	Diesel	FWD	2967	160	218	09.14-09.18	■	
3.0 TDI quattro (CRTE)	01/16-, USA	Diesel	4WD	2967	160	218	09.14-09.18	■	
3.0 TDI quattro (CZVA)	01/16-, USA	Diesel	4WD	2967	160	218	09.14-09.18	■	
3.0 TDI quattro	01/16-, USA	Diesel	4WD	2967	176	239	05.13-	■	
3.0 TDI quattro (CDUC)	01/16-, USA	Diesel	4WD	2967	180	245	03.11-09.18	■	
3.0 TDI quattro (CDUD)	01/16-, USA	Diesel	4WD	2967	180	245	03.11-09.18	■	
3.0 TDI quattro (CKVB)	01/16-, USA	Diesel	4WD	2967	180	245	03.11-09.18	■	
3.0 TDI quattro (CKVC)	01/16-, USA	Diesel	4WD	2967	180	245	03.11-09.18	■	
3.0 TDI quattro (CRTD)	01/16-, USA	Diesel	4WD	2967	200	272	09.14-09.18	■	
3.0 TDI quattro (CGQB)	01/16-, USA	Diesel	4WD	2967	230	313	11.11-09.18	■	
3.0 TDI quattro (CVUA)	01/16-, USA	Diesel	4WD	2967	235	320	09.14-09.18	■	
3.0 TDI quattro (CVUB)	01/16-, USA	Diesel	4WD	2967	240	326	09.14-09.18	■	
A6 IV C7 Avant (4G5, 4GD) 05.11-							Estate (Executive car-E Segment)		
1.8 TFSI (CYGA)	01/16-, USA	Gasolina	FWD	1798	140	190	09.14-09.18	■	
2.0 TFSI (CDNB)	01/16-, USA	Gasolina	FWD	1984	132	180	06.11-09.18	■	
2.0 TFSI quattro (CYPB)	01/16-, USA	Gasolina	4WD	1984	183	249	05.15-09.18	■	
2.0 TFSI (CYNB)	01/16-, USA	Gasolina	FWD	1984	185	252	09.14-09.18	■	
2.0 TFSI (CYPA)	01/16-, USA	Gasolina	FWD	1984	185	252	09.14-09.18	■	
2.0 TFSI quattro (CYPA)	01/16-, USA	Gasolina	4WD	1984	185	252	05.15-09.18	■	
2.8 FSI (CHVA)	USA	Gasolina	FWD	2773	150	204	05.11-04.15	■	
2.8 FSI quattro (CHVA)	USA	Gasolina	4WD	2773	150	204	05.11-04.15	■	
2.8 FSI quattro (CVPA)		Gasolina	4WD	2773	162	220	09.14-09.18	■	
3.0 TFSI quattro (CGWD)	01/16-, USA	Gasolina	4WD	2995	228	310	11.11-09.18	■	
3.0 TFSI quattro (CREC)	01/16-, USA	Gasolina	4WD	2995	245	333	09.14-09.18	■	
S6 quattro (CEUC)	01/16-, USA	Gasolina	4WD	3993	309	420	02.12-09.18	■	
S6 quattro (CTGE)	01/16-, USA	Gasolina	4WD	3993	331	450	10.14-09.18	■	
RS6 quattro (CRDB)	01/16-, USA	Gasolina	4WD	3993	412	560	01.13-09.18	■	
RS6 quattro (CWUB)	01/16-, USA	Gasolina	4WD	3993	412	560	01.13-09.18	■	
RS6 performance quattro (CWUC)	01/16-, USA	Gasolina	4WD	3993	445	605	11.15-09.18	■	
2.0 TDI (CGLE)	01/16-, USA	Diesel	FWD	1968	100	136	01.12-09.18	■	
2.0 TDI (CSUE)	01/16-, USA	Diesel	FWD	1968	100	136	01.12-09.18	■	
2.0 TDI (DDCA)	01/16-, USA	Diesel	FWD	1968	100	136	01.12-09.18	■	
2.0 TDI (CSUD)	01/16-, USA	Diesel	FWD	1968	110	150	09.14-09.18	■	
2.0 TDI (DDCB)	01/16-, USA	Diesel	FWD	1968	110	150	09.14-09.18	■	

LISTA DE APLICACIONES - BUYERS GUIDE

2.0 TDI (CGLD)	01/16-, USA	Diesel	FWD	1968	120	163	05.11-09.18	■
2.0 TDI (CGLC)	01/16-, USA	Diesel	FWD	1968	130	177	05.11-09.18	■
2.0 TDI (CMGB)	01/16-, USA	Diesel	FWD	1968	130	177	05.11-09.18	■
2.0 TDI (CNHA)	01/16-, USA	Diesel	FWD	1968	140	190	11.13-09.18	■
2.0 TDI (CZJA)	01/16-, USA	Diesel	FWD	1968	140	190	11.13-09.18	■
2.0 TDI (DDDA)	01/16-, USA	Diesel	FWD	1968	140	190	11.13-09.18	■
2.0 TDI quattro (CNHA)	01/16-, USA	Diesel	4WD	1968	140	190	04.15-09.18	■
2.0 TDI quattro (DDDA)	01/16-, USA	Diesel	4WD	1968	140	190	04.15-09.18	■
3.0 TDI (CLAB)	01/16-, USA	Diesel	FWD	2967	150	204	05.11-09.18	■
3.0 TDI quattro (CLAA)	01/16-, USA	Diesel	4WD	2967	150	204	05.11-09.18	■
3.0 TDI (CTCB)	01/16-, USA	Diesel	FWD	2967	155	211	09.14-09.18	■
3.0 TDI (CZVD)	01/16-, USA	Diesel	FWD	2967	155	211	09.14-09.18	■
3.0 TDI quattro (CRTF)	01/16-, USA	Diesel	4WD	2967	155	211	09.14-09.18	■
3.0 TDI quattro (CZVC)	01/16-, USA	Diesel	4WD	2967	155	211	09.14-09.18	■
3.0 TDI (CTCC)	01/16-, USA	Diesel	FWD	2967	160	218	09.14-09.18	■
3.0 TDI (CZVB)	01/16-, USA	Diesel	FWD	2967	160	218	09.14-09.18	■
3.0 TDI quattro (CRTE)	01/16-, USA	Diesel	4WD	2967	160	218	09.14-09.18	■
3.0 TDI quattro (CZVA)	01/16-, USA	Diesel	4WD	2967	160	218	09.14-09.18	■
3.0 TDI quattro (CDUC)	01/16-, USA	Diesel	4WD	2967	180	245	05.11-09.18	■
3.0 TDI quattro (CDUD)	01/16-, USA	Diesel	4WD	2967	180	245	05.11-09.18	■
3.0 TDI quattro (CKVB)	01/16-, USA	Diesel	4WD	2967	180	245	05.11-09.18	■
3.0 TDI quattro (CKVC)	01/16-, USA	Diesel	4WD	2967	180	245	05.11-09.18	■
3.0 TDI quattro (CRTD)	01/16-, USA	Diesel	4WD	2967	200	272	09.14-09.18	■
3.0 TDI quattro (CGQB)	01/16-, USA	Diesel	4WD	2967	230	313	11.11-09.18	■
3.0 TDI quattro (CVUA)	01/16-, USA	Diesel	4WD	2967	235	320	09.14-09.18	■
3.0 TDI quattro (CVUB)	01/16-, USA	Diesel	4WD	2967	240	326	09.14-09.18	■
A7 (U.S.A. 4G) 09.11-							Hatchback (Executive car-E Segment)	
2.5 FSI	PR 1LP, discØ 345	Gasolina	FWD	2498	150	204	02.14-	■
A7 Sportback (4GA, 4GF) 07.10-11.19							Hatchback (Executive car-E Segment)	
1.8 TFSI (CYGA)	PR 1LP, discØ 345	Gasolina	FWD	1798	140	190	04.15-05.18	■
2.0 TFSI quattro (CYPB)	PR 1LP, discØ 345	Gasolina	4WD	1984	183	249	05.15-05.18	■
2.0 TFSI (CYPA)	PR 1LP, discØ 345	Gasolina	FWD	1984	185	252	09.14-05.18	■
2.0 TFSI quattro (CYNB)	PR 1LP, discØ 345	Gasolina	4WD	1984	185	252	05.15-05.18	■
2.0 TFSI quattro (CYPA)	PR 1LP, discØ 345	Gasolina	4WD	1984	185	252	05.15-05.18	■
2.8 FSI (CHVA)	PR 1LP, discØ 345	Gasolina	FWD	2773	150	204	02.11-03.15	■
2.8 FSI quattro (CHVA)	PR 1LP, discØ 345	Gasolina	4WD	2773	150	204	10.10-03.15	■
2.8 FSI quattro (CNYA)	PR 1LP, discØ 345	Gasolina	4WD	2773	150	204	10.10-03.15	■
2.8 FSI quattro (CVPA)		Gasolina	4WD	2773	162	220	09.14-05.18	■
3.0 TFSI quattro (CGWB)	PR 1LP, discØ 345	Gasolina	4WD	2995	220	300	10.10-05.12	■
3.0 TFSI quattro (CHMA)	PR 1LP, discØ 345	Gasolina	4WD	2995	220	300	10.10-05.12	■
3.0 TFSI quattro (CGWD)	PR 1LP, discØ 345	Gasolina	4WD	2995	228	310	01.11-03.15	■
3.0 TFSI quattro (CGXB)	PR 1LP, discØ 345	Gasolina	4WD	2995	228	310	01.11-03.15	■
3.0 TFSI quattro (CTTA)	PR 1LP, discØ 345	Gasolina	4WD	2995	228	310	01.11-03.15	■
3.0 TFSI quattro (CTUA)	PR 1LP, discØ 345	Gasolina	4WD	2995	228	310	01.11-03.15	■
3.0 TFSI quattro (CREC)	PR 1LP, discØ 345	Gasolina	4WD	2995	245	333	05.14-05.18	■
3.0 TFSI quattro		Gasolina	4WD	2995	250	340	05.16-05.18	■
S7 quattro (CEUC)	PR 1LP, discØ 345	Gasolina	4WD	3993	309	420	02.12-03.15	■
S7 quattro (CTGE)	PR 1LP, discØ 345	Gasolina	4WD	3993	331	450	07.14-05.18	■
RS7 quattro (CRDB)	PR 1LP, discØ 345	Gasolina	4WD	3993	412	560	10.13-04.18	■
RS7 quattro (CWUB)	PR 1LP, discØ 345	Gasolina	4WD	3993	412	560	10.13-04.18	■

LISTA DE APLICACIONES - BUYERS GUIDE

RS7 performance quattro (CWUC)	PR 1LP, discØ 345	Gasolina	4WD	3993	445	605	11.15-04.18	■	
3.0 TDI (CZVE)	PR 1LP, discØ 345	Diesel	FWD	2967	140	190	11.15-05.18	■	
3.0 TDI quattro (CZVE)	PR 1LP, discØ 345	Diesel	4WD	2967	140	190	11.15-05.18	■	
3.0 TDI quattro (CZVF)	PR 1LP, discØ 345	Diesel	4WD	2967	140	190	11.15-05.18	■	
3.0 TDI (CLAB)	PR 1LP, discØ 345	Diesel	FWD	2967	150	204	11.10-03.15	■	
3.0 TDI quattro (CLAA)	PR 1LP, discØ 345	Diesel	4WD	2967	150	204	12.10-03.15	■	
3.0 TDI (CZVD)	PR 1LP, discØ 345	Diesel	FWD	2967	155	211	11.15-05.18	■	
3.0 TDI quattro (CRTF)	PR 1LP, discØ 345	Diesel	4WD	2967	155	211	07.14-05.18	■	
3.0 TDI quattro (CTCB)	PR 1LP, discØ 345	Diesel	4WD	2967	155	211	07.14-05.18	■	
3.0 TDI quattro (CZVC)	PR 1LP, discØ 345	Diesel	4WD	2967	155	211	07.14-05.18	■	
3.0 TDI (CTCC)	PR 1LP, discØ 345	Diesel	FWD	2967	160	218	07.14-05.18	■	
3.0 TDI (CZVB)	PR 1LP, discØ 345	Diesel	FWD	2967	160	218	07.14-05.18	■	
3.0 TDI quattro (CRTE)	PR 1LP, discØ 345	Diesel	4WD	2967	160	218	07.14-05.18	■	
3.0 TDI quattro (CZVA)	PR 1LP, discØ 345	Diesel	4WD	2967	160	218	07.14-05.18	■	
3.0 TDI quattro (CPNB)	PR 1LP, discØ 345	Diesel	4WD	2967	176	239	05.13-06.17	■	
3.0 TDI quattro (CDUC)	PR 1LP, discØ 345	Diesel	4WD	2967	180	245	10.10-06.16	■	
3.0 TDI quattro (CDUD)	PR 1LP, discØ 345	Diesel	4WD	2967	180	245	10.10-06.16	■	
3.0 TDI quattro (CKVB)	PR 1LP, discØ 345	Diesel	4WD	2967	180	245	10.10-06.16	■	
3.0 TDI quattro (CKVC)	PR 1LP, discØ 345	Diesel	4WD	2967	180	245	10.10-06.16	■	
3.0 TDI quattro (CRTD)	PR 1LP, discØ 345	Diesel	4WD	2967	200	272	05.14-05.18	■	
3.0 TDI quattro (CGQB)	PR 1LP, discØ 345	Diesel	4WD	2967	230	313	11.11-03.15	■	
3.0 TDI quattro (CVUA)	PR 1LP, discØ 345	Diesel	4WD	2967	235	320	05.14-05.18	■	
3.0 TDI quattro (CVUB)	PR 1LP, discØ 345	Diesel	4WD	2967	240	326	09.14-05.18	■	
A8 III D4 (4H2, 4H8, 4HC, 4HL) 11.09-						Saloon (Luxury car-F Segment)			
2.0 TFSI quattro (CYPA)	PR 1LP, discØ 380	Gasolina	4WD	1984	185	252	09.16-01.18	■	
Q5 (U.S.A. 8R) 09.08-12.10						Closed Off-Road Vehicle (Luxury Crossover SUV-J Segment)			
3.2	PR 1LB, PR 1LC, PR 1LE, PR 1LP	Gasolina	FWD		201	274	09.08-12.10	■	
Q5 (8RB) 11.08-12.17						SUV Van (Luxury Crossover SUV-J Segment)			
2.0 TFSI quattro	PR 1LB, PR 1LC, PR 1LE, PR 1LP	Gasolina	4WD	1984	155	211	11.08-09.12	■	
3.2 FSI quattro	PR 1LB, PR 1LC, PR 1LE, PR 1LP	Gasolina	4WD	3197	199	271	11.08-09.12	■	
2.0 TDI	PR 1LB, PR 1LC, PR 1LE, PR 1LP, discØ 320	Diesel	FWD	1968	100	136	05.14-05.17	■	
2.0 TDI	PR 1LB, PR 1LC, PR 1LE, PR 1LP, discØ 320	Diesel	FWD	1968	105	143	11.11-05.13	■	
2.0 TDI	PR 1LB, PR 1LC, PR 1LE, PR 1LP, discØ 320	Diesel	FWD	1968	110	150	06.12-05.17	■	
2.0 TDI quattro	PR 1LB, PR 1LC, PR 1LE, PR 1LP	Diesel	4WD	1968	125	170	11.08-09.12	■	
2.0 TDI quattro	-07/13, PR 1LB, PR 1LC, PR 1LE, PR 1LP, discØ 320	Diesel	4WD	1968	130	177	07.12-06.14	■	
2.0 TDI	discØ 320, PR 1LC	Diesel	FWD	1968	140	190	05.15-05.17	■	
3.0 TDI quattro	PR 1LB, PR 1LC, PR 1LE, PR 1LP, discØ 345	Diesel	4WD	2967	176	239	11.08-04.13	■	
3.0 TDI quattro	-07/13, PR 1LB, PR 1LC, PR 1LE, PR 1LP, discØ 345	Diesel	4WD	2967	180	245	06.12-05.17	■	
3.0 TDI quattro	PR 1LB, PR 1LC, PR 1LE, PR 1LP, discØ 345	Diesel	4WD	2967	190	258	11.13-05.17	■	
Q5 (8RB) 11.08-						SUV (Luxury Crossover SUV-J Segment)			
2.0 TFSI quattro	-07/13, PR 1LB, PR 1LC, PR 1LE, PR 1LP	Gasolina	4WD	1984	130	177	09.09-10.09	■	
2.0 TFSI quattro (CDNB)	PR 1LB, PR 1LC, PR 1LE, PR 1LP	Gasolina	4WD	1984	132	180	08.09-05.17	■	
2.0 TFSI quattro (CNCB)	PR 1LB, PR 1LC, PR 1LE, PR 1LP	Gasolina	4WD	1984	132	180	08.09-05.17	■	

LISTA DE APLICACIONES - BUYERS GUIDE

2.0 TFSI quattro (CAEB)	PR 1LB, PR 1LC, PR 1LE, PR 1LP	Gasolina	4WD	1984	155	211	11.08-09.12	■
2.0 TFSI quattro (CDNC)	PR 1LB, PR 1LC, PR 1LE, PR 1LP	Gasolina	4WD	1984	155	211	11.08-09.12	■
2.0 TFSI quattro (CPMB)	PR 1LB, PR 1LC, PR 1LE, PR 1LP	Gasolina	4WD	1984	162	220	05.13-05.17	■
2.0 TFSI quattro (CNCD)	PR 1LB, PR 1LC, PR 1LE, PR 1LP, discØ 320	Gasolina	4WD	1984	165	224	06.12-05.16	■
2.0 TFSI quattro (CNCE)	discØ 320, PR 1LB, PR 1LC	Gasolina	4WD	1984	169	230	08.15-05.17	■
3.0 TFSI quattro (CTUC)	-07/13, PR 1LB, PR 1LC, PR 1LE, PR 1LP	Gasolina	4WD	2995	200	272	06.12-05.17	■
3.0 TFSI quattro (CTVA)	-07/13, PR 1LB, PR 1LC, PR 1LE, PR 1LP	Gasolina	4WD	2995	200	272	06.12-05.17	■
SQ5 TFSI quattro (CTUD)	PR 1LP	Gasolina	4WD	2995	260	354	05.13-05.17	■
SQ5 TFSI quattro (CTXA)	PR 1LP	Gasolina	4WD	2995	260	354	05.13-05.17	■
SQ5 TFSI	PR 1LP	Gasolina	FWD	2995	264	359	03.14-	■
3.2 FSI quattro (CALB)	PR 1LB, PR 1LC, PR 1LE, PR 1LP	Gasolina	4WD	3197	199	270	11.08-12.12	■
2.0 TFSI Hybrid quattro (CHJA)	PR 1LB, PR 1LC, PR 1LE, PR 1LP	Gasol./el éc.	4WD	1984	180	245	06.11-06.16	■
2.0 TFSI Hybrid quattro (CHJA)	-07/13, PR 1LB, PR 1LC, PR 1LE, PR 1LP	Gasol./el éc.	4WD	1984	180	245	09.12-05.16	■
2.0 TDI (CJCB)	PR 1LB, PR 1LC, PR 1LE, PR 1LP	Diesel	FWD	1968	100	136	11.10-05.17	■
2.0 TDI (CSUB)	PR 1LB, PR 1LC, PR 1LE, PR 1LP	Diesel	FWD	1968	100	136	11.10-05.17	■
2.0 TDI quattro (CAGB)		Diesel	4WD	1968	100	136	08.09-05.17	■
2.0 TDI quattro (CJCB)		Diesel	4WD	1968	100	136	08.09-05.17	■
2.0 TDI quattro (CSUB)		Diesel	4WD	1968	100	136	08.09-05.17	■
2.0 TDI (CJCA)	PR 1LB, PR 1LC, PR 1LE, PR 1LP	Diesel	FWD	1968	105	143	11.10-05.13	■
2.0 TDI quattro (CAGA)	PR 1LB, PR 1LC, PR 1LE, PR 1LP	Diesel	4WD	1968	105	143	08.09-05.13	■
2.0 TDI quattro (CJCA)	PR 1LB, PR 1LC, PR 1LE, PR 1LP	Diesel	4WD	1968	105	143	08.09-05.13	■
2.0 TDI (CJCD)	PR 1LB, PR 1LC, PR 1LE, PR 1LP	Diesel	FWD	1968	110	150	05.13-05.17	■
2.0 TDI (CSUA)	PR 1LB, PR 1LC, PR 1LE, PR 1LP	Diesel	FWD	1968	110	150	05.13-05.17	■
2.0 TDI quattro (CJCD)	PR 1LB, PR 1LC, PR 1LE, PR 1LP	Diesel	4WD	1968	110	150	05.13-05.17	■
2.0 TDI quattro (CSUA)	PR 1LB, PR 1LC, PR 1LE, PR 1LP	Diesel	4WD	1968	110	150	05.13-05.17	■
2.0 TDI quattro (CAHB)		Diesel	4WD	1968	120	163	11.08-05.17	■
2.0 TDI quattro (CGLA)		Diesel	4WD	1968	120	163	11.08-05.17	■
2.0 TDI quattro (CGLD)		Diesel	4WD	1968	120	163	11.08-05.17	■
2.0 TDI quattro (CNHC)		Diesel	4WD	1968	120	163	11.08-05.17	■
2.0 TDI quattro (CAHA)	PR 1LB, PR 1LC, PR 1LE, PR 1LP	Diesel	4WD	1968	125	170	11.08-09.12	■
2.0 TDI quattro (CGLB)	PR 1LB, PR 1LC, PR 1LE, PR 1LP	Diesel	4WD	1968	125	170	11.08-09.12	■
2.0 TDI quattro (CMGA)	PR 1LB, PR 1LC, PR 1LE, PR 1LP	Diesel	4WD	1968	125	170	11.08-09.12	■
2.0 TDI quattro (CGLC)	PR 1LB, PR 1LC, PR 1LE, PR 1LP	Diesel	4WD	1968	130	177	06.12-05.17	■
2.0 TDI quattro (CMGB)	PR 1LB, PR 1LC, PR 1LE, PR 1LP	Diesel	4WD	1968	130	177	06.12-05.17	■
2.0 TDI (CNHA)		Diesel	FWD	1968	140	190	09.15-05.17	■
2.0 TDI quattro (CNHA)	PR 1LB, PR 1LC, PR 1LE, PR 1LP	Diesel	4WD	1968	140	190	11.13-05.17	■
3.0 TDI quattro (CCWA)	PR 1LB, PR 1LC, PR 1LE, PR 1LP	Diesel	4WD	2967	176	240	11.08-05.17	■
3.0 TDI quattro (CPNB)	PR 1LB, PR 1LC, PR 1LE, PR 1LP	Diesel	4WD	2967	176	240	11.08-05.17	■
3.0 TDI quattro (CDUD)	-07/13, PR 1LB, PR 1LC, PR 1LE, PR 1LP	Diesel	4WD	2967	180	245	06.12-05.17	■

LISTA DE APLICACIONES - BUYERS GUIDE

3.0 TDI quattro (CTBC)	PR 1LB, PR 1LC, PR 1LE, PR 1LP	Diesel	4WD	2967	184	250	06.12-05.17	■
3.0 TDI quattro (CTBA)	PR 1LB, PR 1LC, PR 1LE, PR 1LP	Diesel	4WD	2967	190	258	11.13-05.17	■

PORSCHE

MACAN (95B) 02.14-				SUV (Compact SUV-J Segment)				
2.0 (MCN.CC)	PR 1LA	Gasolina	4WD	1984	174	237	05.14-09.18	■
2.0 (MCY.NA)	PR 1LA	Gasolina	4WD	1984	174	237	05.14-09.18	■
2.0 (DKNA)	Rim 17, 1LE	Gasolina	4WD	1984	180	245	05.18-	■
2.0 (DLHB)	discØ 345, 1LE	Gasolina	4WD	1984	185	252	05.15-	■
2.0 (MCY.NB)	discØ 345, 1LE	Gasolina	4WD	1984	185	252	05.15-	■
2.0 (MCY.PA)	discØ 345, 1LE	Gasolina	4WD	1984	185	252	05.15-	■
2.0 (95BAU1)	Rim 17, 1LE, 1LA	Gasolina	4WD	1984	195	265	05.18-	■
2.9 GTS (95BBL1)	Rim 17, 1LE, 1LA	Gasolina	4WD	2894	280	380	05.19-	■
2.9 S (95BBV1) (DGRB)		Gasolina	4WD	2894	280	380	05.21-	■
2.9 GTS AWD (95BBW1) (DGRC)		Gasolina	4WD	2894	324	441	05.21-	■
2.9 Turbo AWD (95BC11) (DGR)	Rim 17, 1LE, 1LA	Gasolina	4WD	2894	324	441	05.18-	■
2.9 Turbo AWD (95BC11) (DGRC)	Rim 17, 1LE, 1LA	Gasolina	4WD	2894	324	441	05.18-	■
3.0S (DLZB)	Rim 17, 1LE	Gasolina	4WD	2995	260	354	05.18-	■
3.0S (MCT.MA)	PR 1LA	Gasolina	4WD	2997	250	340	02.14-09.18	■
3.0 GTS (MDC.NA)		Gasolina	4WD	2997	265	360	10.15-09.18	■
3.6 Turbo (MCT.LA)	PR 1LA	Gasolina	4WD	3604	294	400	02.14-09.18	■
3.6 Turbo (MDH.KA)		Gasolina	4WD	3604	324	441	09.16-	■
3.0 S Diesel (MCT.BB)	PR 1LA	Diesel	4WD	2967	155	211	02.14-09.18	■
3.0 S Diesel (MCD.UD)	PR 1LA	Diesel	4WD	2967	180	245	02.14-09.18	■
3.0 S Diesel (MCT.BC)	PR 1LA	Diesel	4WD	2967	184	250	02.14-09.18	■
3.0 S Diesel (MCT.BA)	PR 1LA	Diesel	4WD	2967	190	258	02.14-09.18	■