

LISTA DE APLICACIONES - BUYERS GUIDE

182113

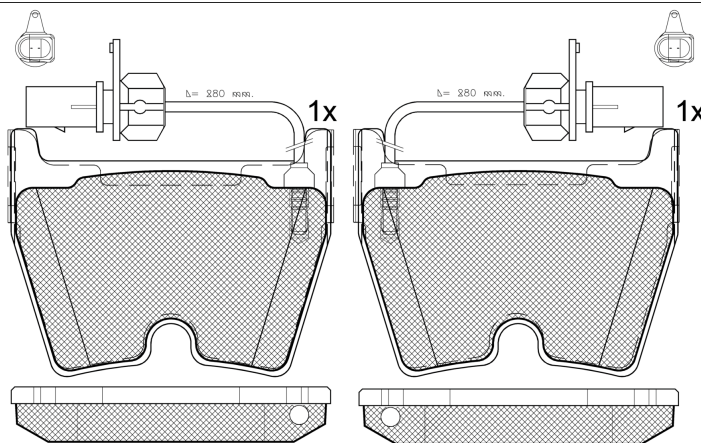


8 424073 106162

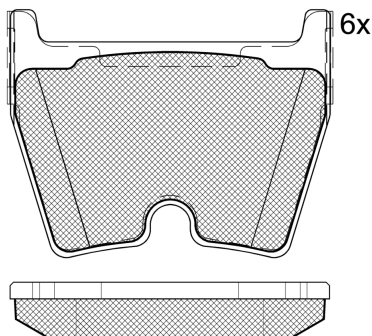
Qty: 300

Weight: 2.840

O.E.M.	MAKE
3D0 698 151	VW
3D0 698 151 A	VW
4B3 698 151 A	VW
4B3 698 151 KJ	VW
8E0 698 151 H	VW



Loose Shim



182113

E 9 90R-02A0111/0810



Brembo

95.5x74x17

WVA	FMSI
23438	D1029-7934
23890	D1029-8372
23439	
23690	
23691	

MAKE
AUDI
LAMBORGHINI
VW



Trac.	CC	Kw	CV
-------	----	----	----



Front / Rear

AUDI

							Estate (Compact executive car-D Segment)					
A4 IV B8 Avant (8K5) 11.07-06.17												
RS4 quattro (CFSA)	PR 1LM, PR 1ZL, discØ 365	Gasolina	4WD	4163	331	450	05.12-08.15	■				
A4 III B7 Avant (8ED) 11.04-11.08							Estate (Compact executive car-D Segment)					
RS4 quattro (BNS)	discØ 365, PR 1LP	Gasolina	4WD	4163	309	420	09.05-06.08	■				
A4 III B7 (8HE) 01.02-01.10							Convertible (Compact executive car-D Segment)					
RS4 quattro (BNS)	discØ 365, PR 1LP	Gasolina	4WD	4163	309	420	02.06-12.08	■				
A4 III B7 (8EC) 11.04-01.09							Saloon (Compact executive car-D Segment)					
RS4 quattro (BNS)	discØ 365, PR 1LP	Gasolina	4WD	4163	309	420	09.05-06.08	■				
A5 (8F7) 02.09-10.17							Convertible (Compact executive car-D Segment)					
3.0 TFSI quattro (CMUA)		Gasolina	4WD	2995	200	272	11.11-01.17	■				
3.0 TFSI quattro (CRED)		Gasolina	4WD	2995	200	272	11.11-01.17	■				
RS5 quattro (CFSA)	not ceramic brakes	Gasolina	4WD	4163	331	450	11.12-08.15	■				
A5 (8T3) 06.07-10.17							Coupe (Compact executive car-D Segment)					
3.0 TFSI quattro (CHMB)		Gasolina	4WD	2995	200	272	12.11-01.17	■				
3.0 TFSI quattro (CMUA)		Gasolina	4WD	2995	200	272	12.11-01.17	■				
3.0 TFSI quattro (CRED)		Gasolina	4WD	2995	200	272	12.11-01.17	■				
RS5 quattro (CFSA)	not ceramic brakes, discØ 365, PR 1LM	Gasolina	4WD	4163	331	450	03.10-01.17	■				
A6 II C5 Avant (4B5, 4B6) 11.97-01.06							Estate (Executive car-E Segment)					
RS6 quattro (BCY)		Gasolina	4WD	4172	331	450	07.02-01.05	■				
RS6 plus quattro (BRV)		Gasolina	4WD	4172	353	480	04.04-01.05	■				

LISTA DE APLICACIONES - BUYERS GUIDE

A6 II C5 (4B2, 4B4) 01.97-12.05						Saloon (Executive car-E Segment)			
RS6 quattro (BCY)		Gasolina	4WD	4172	331	450	07.02-01.05	■	
A6 III Avant (U.S.A. C6) 09.03-12.11						Estate (Executive car-E Segment)			
4.2 RS6 Quattro	01/03-	Gasolina	FWD	4195	331	450	09.03-	■	
A8 (U.S.A. D2) 09.96-12.02						Saloon (Luxury car-F Segment)			
4.2 40V Quattro SP 17" Long	01/06-	Gasolina	FWD	4195			09.96-	■	
6.0 48V Quattro	01/06-	Gasolina	FWD	5995	331	450	09.96-	■	
R8 (422, 423) 04.07-12.16						Coupe (Sports car-S Segment)			
4.2 FSI quattro (BYH)	not ceramic brakes, PR 1LA	Gasolina	4WD	4163	309	420	04.07-09.10	■	
4.2 FSI quattro (CNDA)	not ceramic brakes, PR 1LA	Gasolina	4WD	4163	316	430	07.10-07.15	■	
5.2 FSI quattro (BUJ)	-12/12, not ceramic brakes, PR 1LA	Gasolina	4WD	5204	386	525	04.09-07.15	■	
5.2 FSI quattro (CTYA)	-12/12, not ceramic brakes, PR 1LA	Gasolina	4WD	5204	386	525	04.09-07.15	■	
5.2 FSI quattro (CTPA)	not ceramic brakes, PR 1LA	Gasolina	4WD	5204	404	550	05.12-07.15	■	
5.2 FSI quattro (CMPA)	not ceramic brakes, PR 1LA	Gasolina	4WD	5204	412	560	11.10-07.15	■	
5.2 FSI quattro (CTPB)	not ceramic brakes, PR 1LA	Gasolina	4WD	5204	419	570	07.14-07.15	■	
R8 II (4S3, 4SP) 07.15-						Coupe (Sports car-S Segment)			
5.2 FSI quattro (CSPB)	-01/16, PR 1LA, PR 1LJ, discØ 365	Gasolina	4WD	5204	397	540	07.15-	■	
5.2 FSI		Gasolina	RWD	5204	419	570	06.21-	■	
5.2 FSI Plus quattro (CSPA)	-01/16, PR 1LA, PR 1LJ, discØ 365	Gasolina	4WD	5204	449	610	07.15-	■	
5.2 FSI Plus quattro (DKAA)	-01/16, PR 1LA, PR 1LJ, discØ 365	Gasolina	4WD	5204	449	610	07.15-	■	
5.2 GT		Gasolina	RWD	5204	456	620	11.22-04.24	■	
R8 II Spyder (4S9, 4SR) 05.16-						Convertible (Sports car-S Segment)			
5.2 FSI quattro (CSPB)	PR 1LA, PR 1LJ, discØ 365	Gasolina	4WD	5204	397	540	05.16-11.21	■	
5.2 FSI quattro (DKAB)	PR 1LA, PR 1LJ, discØ 365	Gasolina	4WD	5204	397	540	05.16-11.21	■	
5.2 FSI		Gasolina	RWD	5204	419	570	06.21-	■	
R8 Spyder (427, 429) 02.10-08.16						Convertible (Sports car-S Segment)			
4.2 FSI quattro (CNDA)	not ceramic brakes, PR 1LA	Gasolina	4WD	4163	316	430	09.10-07.15	■	
5.2 FSI quattro (BUJ)	not ceramic brakes, PR 1LA	Gasolina	4WD	5204	386	525	02.10-07.15	■	
5.2 FSI quattro (CTYA)	not ceramic brakes, PR 1LA	Gasolina	4WD	5204	386	525	02.10-07.15	■	
5.2 FSI	not ceramic brakes, PR 1LA	Gasolina	FWD	5204	404	549	05.12-	■	
5.2 FSI quattro (CMPA)	not ceramic brakes, PR 1LA	Gasolina	4WD	5204	412	560	11.11-07.15	■	
LAMBORGHINI									
DIABLO 09.95-12.00						Convertible (Sports car-S Segment)			
5.7		Gasolina	RWD	5707	390	530	01.98-12.00	■	
DIABLO 01.90-						Coupe (Sports car-S Segment)			
SV		Gasolina	RWD	5707	390	530	01.98-	■	
VT		Gasolina	4WD	5707	390	530	08.98-	■	
GT 2		Gasolina	RWD	5707	470	640	01.98-	■	
GT 5.9		Gasolina	RWD	5992	423	575	10.99-	■	
GALLARDO 08.03-						Coupe (Sports car-S Segment)			
5.0 (L 510)		Gasolina	4WD	4961	368	500	08.03-	■	
5.0		Gasolina	4WD	4961	382	520	07.05-	■	
GALLARDO SPYDER 08.05-						Convertible (Sports car-S Segment)			
5.0		Gasolina	4WD	4961	382	520	08.05-	■	

LISTA DE APLICACIONES - BUYERS GUIDE

MURCIÉLAGO 08.04-						Convertible (Sports car-S Segment)			
6.2		Gasolina	4WD	6192	426	579	08.04-	■	
MURCIÉLAGO 11.01-						Coupe (Sports car-S Segment)			
6.2		Gasolina	4WD	6192	426	579	11.01-12.06	■	
LP 640		Gasolina	4WD	6496	471	641	04.06-	■	
VW									
PHAETON (3D1, 3D2, 3D3, 3D4, 3D6, 3D7, 3D8, 3D9) 04.02-03.16						Saloon (Luxury car-F Segment)			
3.2 V6 (AYT)	discØ 365, PR 1LC	Gasolina	FWD	3189	177	241	04.02-05.05	■	
3.2 V6 (BKL)	discØ 365, PR 1LC	Gasolina	FWD	3189	177	241	04.02-05.05	■	
3.2 V6 4motion (BKL)	discØ 365, PR 1LC	Gasolina	4WD	3189	177	241	02.04-11.08	■	
3.2 V6 4motion (BRK)	discØ 365, PR 1LC	Gasolina	4WD	3189	177	241	02.04-11.08	■	
3.6 V6 4motion (CHNA)	PR 1LC	Gasolina	4WD	3597	206	280	11.08-03.16	■	
3.6 V6 4motion (CMVA)	PR 1LC	Gasolina	4WD	3597	206	280	11.08-03.16	■	
4.2 V8 4motion (BGH)	discØ 365, PR 1LC	Gasolina	4WD	4172	246	335	05.03-03.16	■	
4.2 V8 4motion (BGJ)	discØ 365, PR 1LC	Gasolina	4WD	4172	246	335	05.03-03.16	■	
6.0 W12 4motion (BAN)	Rim 18, discØ 365, PR 1LC	Gasolina	4WD	5998	309	420	04.02-12.05	■	
6.0 W12 4motion (BAP)	Rim 18, discØ 365, PR 1LC	Gasolina	4WD	5998	309	420	04.02-12.05	■	
6.0 W12 4motion (BRN)	discØ 365, PR 1LC	Gasolina	4WD	5998	331	450	05.05-03.16	■	
6.0 W12 4motion (BTT)	discØ 365, PR 1LC	Gasolina	4WD	5998	331	450	05.05-03.16	■	
3.0 V6 TDI 4motion (BMK)	discØ 365, PR 1LC	Diesel	4WD	2967	165	224	09.04-05.07	■	
3.0 V6 TDI 4motion (CARA)	01/08-, PR 1LC	Diesel	4WD	2967	171	233	06.07-11.08	■	
3.0 V6 TDI 4motion (CARB)	PR 1LC	Diesel	4WD	2967	176	240	11.08-03.16	■	
3.0 V6 TDI 4motion (CEXA)	PR 1LC	Diesel	4WD	2967	176	240	11.08-03.16	■	
5.0 V10 TDI 4motion (AJS)	Rim 18, discØ 365, PR 1LC	Diesel	4WD	4921	230	313	11.02-10.06	■	