

LISTA DE APLICACIONES - BUYERS GUIDE

182113-203

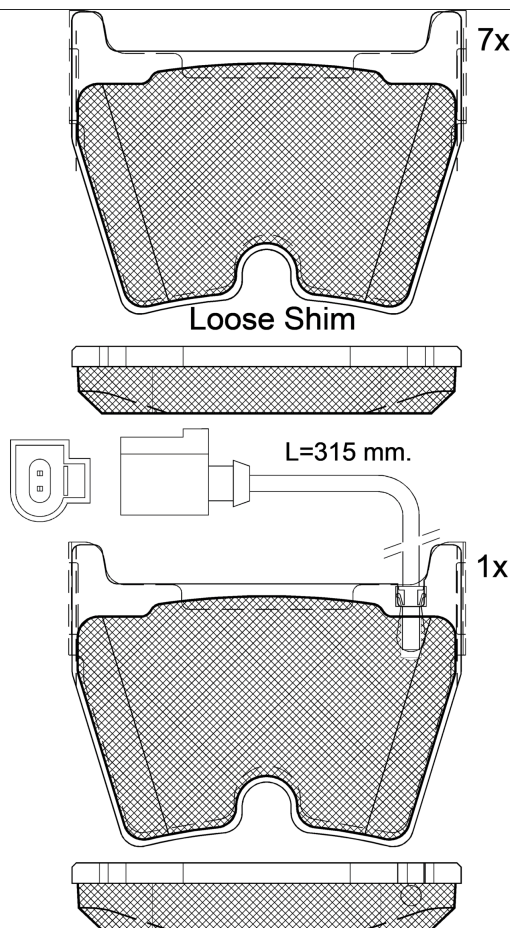


8 424073 149978

Qty: 300

Weight: 2.800

O.E.M.	MAKE
68353597AB	JEEP
8S0 698 151 F	AUDI
8U0 698 151 E	AUDI
8U0 698 151 F	AUDI
8U0 698 151 G	AUDI
8U0 698 151 H	AUDI
8U0 698 151 J	AUDI
8U0698151F	SKODA
8U0698151G	SKODA
8U0698151H	VW
8U0698151J	SKODA
8V0 698 151 E	AUDI
8V0 698 151 F	AUDI
8V0 698 151 H	AUDI
8V0 698 151 K	AUDI
8V0 698 151 L	AUDI
8V0 698 151 M	AUDI
8V0 698 151 N	AUDI
8V0 698 151 P	AUDI
8V0698151F	VW
8V0698151K	SKODA



182113-203

E 9 90R-02A0111/4817



Brembo

95.5x74x17

WVA	FMSI
22491	D2099-9333
23751	
MAKE	
AUDI	



Trac.	CC	Kw	CV		Front / Rear
-------	----	----	----	--	--------------

AUDI

Model						Segment			
A3 III (8VS, 8VM) 05.13-						Saloon (Compact executive car-D Segment)			
RS3 quattro (DAZA)	PR 1LF, discØ 370	Gasolina	4WD	2480	294	400	04.17-10.20	■	
RS3 quattro (DNWA)	PR 1LF, discØ 370	Gasolina	4WD	2480	294	400	04.17-10.20	■	
A3 III Sportback (8VA, 8VF) 09.12-						Hatchback (Compact executive car-D Segment)			
RS3 quattro (CZGB)	PR 1LH, PR 1LU, not ceramic brakes	Gasolina	4WD	2480	270	367	03.15-08.16	■	
RS3 quattro (DAZA)	PR 1LF, discØ 370	Gasolina	4WD	2480	294	400	04.17-10.20	■	
RS3 quattro (DNWA)	PR 1LF, discØ 370	Gasolina	4WD	2480	294	400	04.17-10.20	■	
A3 IV (8YS, 8YM) 03.20-						Saloon (Compact executive car-D Segment)			
RS3 TFSI quattro	PR 1LF, PR 1LH, PR 1LL, PR 1LN, PR 1LU	Gasolina	4WD	2480	294	400	07.21-	■	
RS3 TFSI quattro	PR 1LF, PR 1LH, PR 1LL, PR 1LN, PR 1LU	Gasolina	4WD	2480	299	407	01.22-	■	
A3 IV Sportback (8YA, 8YF) 11.19-						Hatchback (Compact executive car-D Segment)			
RS3 TFSI quattro	PR 1LF, PR 1LH, PR 1LL, PR 1LN, PR 1LU	Gasolina	4WD	2480	294	400	07.21-	■	
RS3 TFSI quattro	PR 1LF, PR 1LH, PR 1LL, PR 1LN, PR 1LU	Gasolina	4WD	2480	299	407	11.22-	■	
Q3 (8UB, 8UG) 06.11-						SUV (Compact Crossover CUV-C Segment)			
RS 2.5 quattro (CTSA)	PR 1LA, PR 1ZT, discØ 365	Gasolina	4WD	2480	228	310	10.13-10.18	■	
RS 2.5 quattro (CZGA)	PR 1LA, PR 1ZT, 02/15-, discØ 365	Gasolina	4WD	2480	250	340	05.13-10.18	■	
RS performance 2.5 quattro (CZGB)	PR 1LA, PR 1ZT	Gasolina	4WD	2480	270	367	01.15-10.18	■	

LISTA DE APLICACIONES - BUYERS GUIDE

TT III (FV9, FVR) 11.14-					Convertible (Sports car-S Segment)				
1.8 TFSI (CJSA)	PR 1ZT	Gasolina	FWD	1798	132	180	07.15-08.18	■	
1.8 TFSI (CJSB)	PR 1ZT	Gasolina	FWD	1798	132	180	07.15-08.18	■	
2.0 TFSI quattro (CNTC)	PR 1ZT	Gasolina	4WD	1984	162	220	04.15-	■	
2.0 TFSI (CHHC)	PR 1ZT	Gasolina	FWD	1984	169	230	11.14-	■	
2.0 TFSI quattro (CHHC)	PR 1ZT	Gasolina	4WD	1984	169	230	11.14-	■	
2.0 TTS TFSI quattro (CJXF)	PR 1ZT	Gasolina	4WD	1984	210	286	02.15-	■	
2.0 TTS TFSI quattro (CJXG)	PR 1ZT	Gasolina	4WD	1984	228	310	11.14-	■	
TTS TFSI quattro	PR 1LL, PR 1LN, PR 1LU, PR 1ZK	Gasolina	4WD	1984	235	320	11.20-	■	
2.5 RS TFSI quattro (DAZA)	PR 1LU, PR 1ZK, discØ 370, not ceramic brakes, PR 1LL, PR 1LN	Gasolina	4WD	2480	294	400	05.16-	■	
2.5 RS TFSI quattro (DNWA)	PR 1LU, PR 1ZK, discØ 370, not ceramic brakes, PR 1LL, PR 1LN	Gasolina	4WD	2480	294	400	05.16-	■	
2.0 TDI (CUNA)	PR 1ZT	Diesel	FWD	1968	135	184	11.14-	■	
2.0 TDI quattro (CUNA)	PR 1ZT	Diesel	4WD	1968	135	184	01.17-	■	
TT III (FV3, FVP) 07.14-					Coupe (Sports car-S Segment)				
1.8 TFSI (CJSA)	PR 1ZT	Gasolina	FWD	1798	132	180	07.15-08.18	■	
1.8 TFSI (CJSB)	PR 1ZT	Gasolina	FWD	1798	132	180	07.15-08.18	■	
2.0 TFSI quattro (CNTC)	PR 1ZT	Gasolina	4WD	1984	162	220	04.15-	■	
2.0 TFSI (CHHC)	PR 1ZT	Gasolina	FWD	1984	169	230	07.14-	■	
2.0 TFSI quattro (CHHC)	PR 1ZT	Gasolina	4WD	1984	169	230	07.14-	■	
2.0 TTS TFSI quattro (CJXF)	PR 1ZT	Gasolina	4WD	1984	210	286	02.15-	■	
2.0 TTS TFSI quattro (CYFB)	PR 1ZT	Gasolina	4WD	1984	215	292	07.15-	■	
2.0 TTS quattro (CJXG)	PR 1ZT	Gasolina	4WD	1984	228	310	11.14-	■	
2.5 RS TFSI quattro (DAZA)	PR 1LU, PR 1ZK, discØ 370, PR 1LL, PR 1LN	Gasolina	4WD	2480	294	400	05.16-	■	
2.5 RS TFSI quattro (DNWA)	PR 1LU, PR 1ZK, discØ 370, PR 1LL, PR 1LN	Gasolina	4WD	2480	294	400	05.16-	■	
2.0 TDI (CUNA)	PR 1ZT	Diesel	FWD	1968	135	184	07.14-	■	
2.0 TDI quattro (CUNA)	PR 1ZT	Diesel	4WD	1968	135	184	01.17-	■	