

LISTA DE APLICACIONES - BUYERS GUIDE

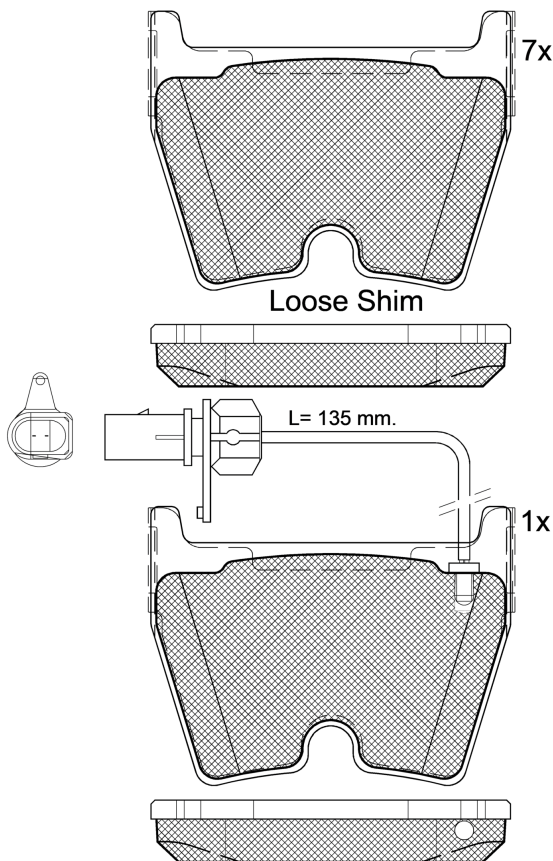
182113-208



Qty: 300

Weight: 2.780

O.E.M.	MAKE
4S0 698 151	AUDI
4S0 698 151 B	AUDI
4S0 698 151 C	AUDI
4S0 698 151 J	AUDI
4S0 698 151 L	AUDI



182113-208

E 9 90R-02A0111/3737



Brembo

95.5x74x17

WVA	FMSI
23751	D1266-7934
MAKE	
AUDI	



Trac.	CC	Kw	CV
-------	----	----	----



Front / Rear

AUDI

R8 II (4S3, 4SP) 07.15-

Coupe (Sports car-S Segment)

5.2 FSI quattro (CSPB)	01/16-, PR 1LA, PR 1LJ, PR A8U, discØ 365, Eq.V_CN	Gasolina	4WD	5204	397	540	07.15-	■
5.2 FSI RWS (DKAB)	PR 1LA, PR 1LJ, discØ 365	Gasolina	RWD	5204	397	540	09.17-	■
5.2 FSI		Gasolina	RWD	5204	419	570	06.21-	■
5.2 FSI quattro (DKAC)		Gasolina	4WD	5204	419	570	09.18-	■
5.2 FSI Plus quattro (CSPA)	01/16-, PR 1LA, PR 1LJ, PR A8U, discØ 365, Eq.V_CN	Gasolina	4WD	5204	449	610	07.15-	■
5.2 FSI Plus quattro (DKAA)	01/16-, PR 1LA, PR 1LJ, PR A8U, discØ 365, Eq.V_CN	Gasolina	4WD	5204	449	610	07.15-	■
5.2 FSI quattro (DMWA)		Gasolina	4WD	5204	456	620	09.18-	■
5.2 GT		Gasolina	RWD	5204	456	620	11.22-04.24	■

R8 II Spyder (4S9, 4SR) 05.16-

Convertible (Sports car-S Segment)

5.2 FSI quattro (CSPB)	PR 1LA, PR 1LJ, PR A8U, discØ 365, Eq.V_CN	Gasolina	4WD	5204	397	540	05.16-11.21	■
5.2 FSI quattro (DKAB)	PR 1LA, PR 1LJ, PR A8U, discØ 365, Eq.V_CN	Gasolina	4WD	5204	397	540	05.16-11.21	■
5.2 FSI RWS (DKAB)	PR 1LA, PR 1LJ, discØ 365	Gasolina	RWD	5204	397	540	09.17-	■
5.2 FSI		Gasolina	RWD	5204	419	570	06.21-	■
5.2 FSI quattro (DKAC)		Gasolina	4WD	5204	419	570	09.18-	■
5.2 FSI quattro (CSPA)	PR 1LA, PR 1LJ, discØ 365	Gasolina	4WD	5204	449	610	05.17-	■
5.2 FSI quattro (DKAA)	PR 1LA, PR 1LJ, discØ 365	Gasolina	4WD	5204	449	610	05.17-	■
5.2 FSI quattro (DMWA)		Gasolina	4WD	5204	456	620	09.18-	■