

LISTA DE APLICACIONES - BUYERS GUIDE

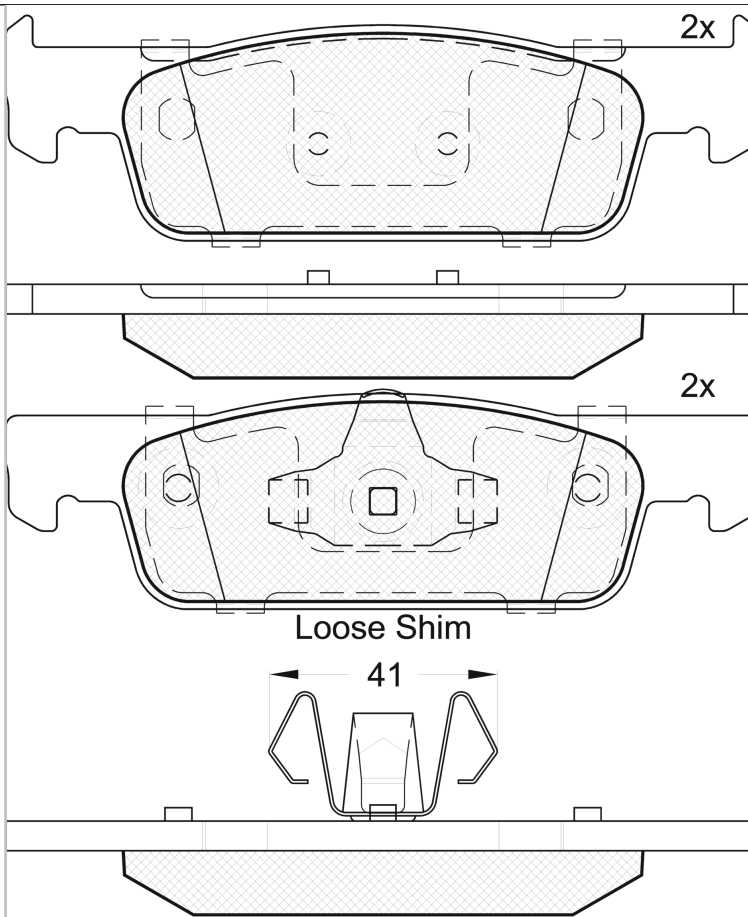
182115



8 424073 106186

Qty: 300

Weight: 1.155



182115

E 9 90R-02A0111/3650



Ate - Teves

140.1x40.1x18

140.1x42x18

O.E.M.	MAKE
41 06 025 81R	RENAULT
41 06 056 12R	DACIA
41 06 059 51R	RENAULT
41 06 060 32R	RENAULT
41 06 087 08R	RENAULT
453 420 07 00	SMART
453 421 00 00	SMART
453 421 00 10	SMART
453 421 01 00	SMART
453 421 14 00	SMART
82 01 377 565	RENAULT

WVA	FMSI
22521	D1830-9140
25702	
25703	
25728	

MAKE
DACIA
RENAULT
SMART



Trac.	CC	Kw	CV



Front / Rear

DACIA

LOGAN II (L52) 10.12-							Saloon (Compact car-C Segment)			
TCe 90 (L8MA, L8M1, L8AC) (H4B 400)	-04/15	Gasolina	FWD	898	66	90	10.12-	■		
TCe 90 (L8MA, L8M1, L8AC) (H4B 408)	-04/15	Gasolina	FWD	898	66	90	10.12-	■		
1.0 SCe 75 (B4D 400)		Gasolina	FWD	998	54	73	01.17-	■		
1.0 SCe 75 (B4D 401)		Gasolina	FWD	998	54	73	01.17-	■		
1.2		Gasolina	FWD	1149	54	73	05.15-	■		
1.2 (D4F 732)		Gasolina	FWD	1149	55	75	10.12-	■		
1.6 (K7M 812)		Gasolina	FWD	1598	63	86	06.13-08.16	■		
1.6 16V (K4M 842)		Gasolina	FWD	1598	77	105	01.13-	■		
1.2 LPG (D4F 734)		Gasol./Gas (LPG)	FWD	1149	53	72	02.13-	■		
1.2 LPG (D4F 734)		Gasol./Gas (LPG)	FWD	1149	55	75	10.12-	■		
1.5 dCi / Blue dCi 75 (K9K 612)	-04/15	Diesel	FWD	1461	55	75	10.12-	■		
1.5 dCi / Blue dCi 75 (K9K 626)	-04/15	Diesel	FWD	1461	55	75	10.12-	■		
1.5 dCi / Blue dCi 75 (K9K 872)	-04/15	Diesel	FWD	1461	55	75	10.12-	■		
1.5 dCi (K9K 830)	-04/15	Diesel	FWD	1461	63	84	01.13-	■		
1.5 dCi (K9K 838)	-04/15	Diesel	FWD	1461	63	84	01.13-	■		
1.5 dCi (K9K 612)	-04/15	Diesel	FWD	1461	66	90	10.12-	■		
1.5 dCi (K9K 626)	-04/15	Diesel	FWD	1461	66	90	10.12-	■		
LOGAN II MCV (K52) 02.13-							Estate (Compact car-C Segment)			
TCe 90 (K8M1, K8MA, K8AC) (H4B 400)	-04/15	Gasolina	FWD	898	66	90	02.13-	■		
TCe 90 (K8M1, K8MA, K8AC) (H4B 408)	-04/15	Gasolina	FWD	898	66	90	02.13-	■		
1.2 (D4F 732)		Gasolina	FWD	1149	55	75	02.13-	■		
1.6 (K7M 812)		Gasolina	FWD	1598	62	84	06.13-	■		

LISTA DE APLICACIONES - BUYERS GUIDE

TCe 90 LPG (H4B 405)		Gasol./Gas (LPG)	FWD	898	66	90	09.15-	■	
TCe 90 LPG (H4B 410)		Gasol./Gas (LPG)	FWD	898	66	90	09.15-	■	
1.2 LPG (D4F 734)		Gasol./Gas (LPG)	FWD	1149	53	72	02.13-	■	
1.2 LPG (D4F 734)		Gasol./Gas (LPG)	FWD	1149	55	75	02.13-	■	
1.5 dCi (K9K 612)	-04/15	Diesel	FWD	1461	55	75	02.13-	■	
1.5 dCi (K9K 626)	-04/15	Diesel	FWD	1461	55	75	02.13-	■	
1.5 dCi (K9K 830)	-04/15	Diesel	FWD	1461	63	84	02.13-	■	
1.5 dCi (K9K 838)	-04/15	Diesel	FWD	1461	63	84	02.13-	■	
1.5 dCi (K9K 612)	-04/15	Diesel	FWD	1461	66	90	02.13-	■	
1.5 dCi (K9K 626)	-04/15	Diesel	FWD	1461	66	90	02.13-	■	
SANDERO (BS_) 06.08-							Hatchback (Compact car-C Segment)		
1.2 16V (D4F 732)		Gasolina	FWD	1149	55	75	11.08-06.13	■	
1.6 MPI 85 (BS03) (K7M 800)		Gasolina	FWD	1598	62	84	05.10-06.13	■	
1.6 (BS0D, BS0B, BS0F, BS0H) (K7M 710)		Gasolina	FWD	1598	64	87	06.08-12.12	■	
1.6 16V (K4M 690)		Gasolina	FWD	1598	77	105	07.11-12.12	■	
1.6 16V (K4M 694)		Gasolina	FWD	1598	77	105	07.11-12.12	■	
1.2 16V LPG (D4F 732)		Gasol./Gas (LPG)	FWD	1149	55	75	11.08-06.13	■	
1.6 LPG (BS03) (K7M 818)		Gasol./Gas (LPG)	FWD	1598	60	82	01.11-12.12	■	
1.6 LPG (K7M 818)		Gasol./Gas (LPG)	FWD	1598	62	84	05.10-10.12	■	
1.6 LPG (K7M 718)		Gasol./Gas (LPG)	FWD	1598	64	87	06.08-12.12	■	
1.0 Hi-Flex (D4D 760)		Gasol./Etanol	FWD	999	56	76	01.11-12.12	■	
1.5 dCi (K9K 792)		Diesel	FWD	1461	50	68	11.08-12.12	■	
SANDERO II (B8_) 10.12-							Hatchback (Compact car-C Segment)		
TCe 90 (B8M1, B8MA, B8AC) (H4B 400)		Gasolina	FWD	898	66	90	10.12-	■	
1.0 SCe 75 (B8JC, B8JD, B8NC) (B4D 400)		Gasolina	FWD	999	54	73	12.16-09.20	■	
1.0 SCe 75 (B8JC, B8JD, B8NC) (B4D 401)		Gasolina	FWD	999	54	73	12.16-09.20	■	
1.2 (D4F 732)		Gasolina	FWD	1149	55	75	10.12-	■	
1.6 16V		Gasolina	FWD	1598	75	102	04.15-	■	
1.6 16V		Gasolina	FWD	1598	77	105	01.13-	■	
TCe 90 LPG (B8M1)		Gasol./Gas (LPG)	FWD	898	66	90	09.15-	■	
1.2 LPG (D4F 734)		Gasol./Gas (LPG)	FWD	1149	55	75	10.12-	■	
1.5 dCi 75 / Blue dCi 75 (B8JW, B8M4, B8AH, B8M7, B8M6) (K9K 612)		Diesel	FWD	1461	55	75	10.12-	■	
1.5 dCi 75 / Blue dCi 75 (B8JW, B8M4, B8AH, B8M7, B8M6) (K9K 626)		Diesel	FWD	1461	55	75	10.12-	■	
1.5 dCi 75 / Blue dCi 75 (B8JW, B8M4, B8AH, B8M7, B8M6) (K9K 838)		Diesel	FWD	1461	55	75	10.12-	■	
1.5 dCi 75 / Blue dCi 75 (B8JW, B8M4, B8AH, B8M7, B8M6) (K9K 872)		Diesel	FWD	1461	55	75	10.12-	■	
1.5 dCi (K9K 830)		Diesel	FWD	1461	63	84	01.13-	■	
1.5 dCi (K9K 612)		Diesel	FWD	1461	66	90	10.12-	■	
1.5 dCi (K9K 626)		Diesel	FWD	1461	66	90	10.12-	■	
RENAULT									
CLIO IV (BH_) 01.14-							Hatchback Van (LCVs-N1 Segment)		
0.9 TCe 75		Gasolina	FWD	898	56	76	01.14-08.21	■	
0.9 TCe 90 (H4B 400)	-04/15, Rim 15, Rim 16	Gasolina	FWD	898	66	90	01.14-08.21	■	
0.9 TCe 90 (H4B 408)	-04/15, Rim 15, Rim 16	Gasolina	FWD	898	66	90	01.14-08.21	■	

LISTA DE APLICACIONES - BUYERS GUIDE

1.2 16V (BHMK) (D4F 740)		Gasolina	FWD	1149	54	73	01.14-08.21	■	
1.2 16V	-04/15, Rim 15, Rim 16	Gasolina	FWD	1149	55	75	01.14-08.21	■	
1.2 16V LPG (BHMG) (D4F 744)		Gasol./Gas (LPG)	FWD	1149	53	72	01.14-08.21	■	
1.5 dCi 75 (K9K 612)	-04/15, Rim 15, Rim 16	Diesel	FWD	1461	55	75	01.14-08.21	■	
1.5 dCi 90 (BHAJ) (K9K 608)	-04/15, Rim 15, Rim 16	Diesel	FWD	1461	66	90	01.14-08.21	■	
1.5 dCi 90 (BHAJ) (K9K 628)	-04/15, Rim 15, Rim 16	Diesel	FWD	1461	66	90	01.14-08.21	■	
1.5 dCi 90 (BHAJ) (K9K 629)	-04/15, Rim 15, Rim 16	Diesel	FWD	1461	66	90	01.14-08.21	■	
CLIO IV (BH_) 11.12-							Hatchback (Supermini car-B Segment)		
0.9 TCe 90 (BHNF, BHMA, BMMH, BHJK, BHJR) (H4B 400)	-04/15, Rim 15, Rim 16	Gasolina	FWD	898	66	90	11.12-08.21	■	
0.9 TCe 90 (BHNF, BHMA, BMMH, BHJK, BHJR) (H4B 408)	-04/15, Rim 15, Rim 16	Gasolina	FWD	898	66	90	11.12-08.21	■	
1.2 16V (D4F 728)	-04/15, Rim 15, Rim 16	Gasolina	FWD	1149	54	73	11.12-08.21	■	
1.2 16V (D4F 740)	-04/15, Rim 15, Rim 16	Gasolina	FWD	1149	54	73	11.12-08.21	■	
1.2 16V (BHA1, BHAK, BHMG, BHMK) (D4F 740)		Gasolina	FWD	1149	55	75	06.15-08.21	■	
1.2 TCe 120 (BHM0) (H5F 403)	-04/15, Rim 15, Rim 16	Gasolina	FWD	1197	88	120	03.13-08.21	■	
1.2 LPG (BHMG) (D4F 744)		Gasol./Gas (LPG)	FWD	1149	53	72	01.14-08.21	■	
1.2 LPG (BHMG)		Gasol./Gas (LPG)	FWD	1149	53	72	01.14-	■	
1.2 LPG 16V (D4F 740)	-04/15, Rim 15, Rim 16	Gasol./Gas (LPG)	FWD	1149	54	73	11.12-06.15	■	
1.0 Campus Flex	-04/15, Rim 15, Rim 16	Gasol./Etanol	FWD	999	59	80	11.12-	■	
1.5 dCi 75 (BHN3) (K9K 612)	-04/15, Rim 15, Rim 16	Diesel	FWD	1461	55	75	11.12-08.21	■	
1.5 dCi 75 (BHN3) (K9K 628)	-04/15, Rim 15, Rim 16	Diesel	FWD	1461	55	75	11.12-08.21	■	
1.5 dCi (BHM6) (K9K 838)		Diesel	FWD	1461	62	84	11.12-08.21	■	
1.5 dCi (BHMW) (K9K 830)		Diesel	FWD	1461	63	86	11.12-08.21	■	
1.5 dCi 90 (K9K 608)	-04/15, Rim 15, Rim 16	Diesel	FWD	1461	66	90	11.12-08.21	■	
1.5 dCi 90 (K9K 628)	-04/15, Rim 15, Rim 16	Diesel	FWD	1461	66	90	11.12-08.21	■	
1.5 dCi 90 (K9K 638)	-04/15, Rim 15, Rim 16	Diesel	FWD	1461	66	90	11.12-08.21	■	
CLIO IV Grandtour (KH_) 01.13-							Estate Van (Supermini car-B Segment)		
0.9 TCe 90 (H4B 400)	-04/15, Rim 15, Rim 16	Gasolina	FWD	898	66	90	01.14-08.21	■	
1.5 dCi 75 (K9K 612)	-04/15, Rim 15, Rim 16	Diesel	FWD	1461	55	75	01.14-08.21	■	
1.5 dCi 90 (K9K 608)	-04/15, Rim 15, Rim 16	Diesel	FWD	1461	66	90	01.14-08.21	■	
CLIO IV Grandtour (KH_) 11.12-							Estate (Supermini car-B Segment)		
0.9 TCe 90 (KHJR, KHMA, KHM1) (H4B 400)	-04/15, Rim 15, Rim 16	Gasolina	FWD	898	66	90	01.13-08.21	■	
0.9 TCe 90 (KHJR, KHMA, KHM1) (H4B 408)	-04/15, Rim 15, Rim 16	Gasolina	FWD	898	66	90	01.13-08.21	■	
1.2 16V (D4F 740)	-04/15, Rim 15, Rim 16	Gasolina	FWD	1149	54	73	01.13-08.21	■	
1.2 TCe 120 (KHM0) (H5F 403)	-04/15, Rim 15, Rim 16	Gasolina	FWD	1197	88	120	03.13-08.21	■	
1.5 dCi 75 (K9K 612)	-04/15, Rim 15, Rim 16	Diesel	FWD	1461	55	75	01.13-08.21	■	
1.5 dCi 75 (K9K 628)	-04/15, Rim 15, Rim 16	Diesel	FWD	1461	55	75	01.13-08.21	■	
1.5 dCi 90 (KHN3, KHN4) (K9K 608)	-04/15, Rim 15, Rim 16	Diesel	FWD	1461	66	90	11.12-08.21	■	
1.5 dCi 90 (KHN3, KHN4) (K9K 628)	-04/15, Rim 15, Rim 16	Diesel	FWD	1461	66	90	11.12-08.21	■	
1.5 dCi 90 (KHN3, KHN4) (K9K 629)	-04/15, Rim 15, Rim 16	Diesel	FWD	1461	66	90	11.12-08.21	■	
LOGAN II MCV / TONDAR (K8_) 11.13-							Estate (Compact car-C Segment)		
1.2 16V (D4F 732)		Gasolina	FWD	1149	54	73	12.13-	■	
1.2 16V (D4F 734)		Gasolina	FWD	1149	54	73	12.13-	■	
1.6 (K7M 812)		Gasolina	FWD	1598	59	80	12.13-	■	
1.2 16V LPG (D4F 732)		Gasol./Gas (LPG)	FWD	1149	53	72	12.13-	■	
1.2 16V LPG (D4F 734)		Gasol./Gas (LPG)	FWD	1149	53	72	12.13-	■	

LISTA DE APLICACIONES - BUYERS GUIDE

1.5 dCi (K9K 838)	-04/15	Diesel	FWD	1461	62	84	12.13-	■
1.5 dCi		Diesel	FWD	1461	66	90	12.13-	■
LOGAN II /STEPWAY II / TONDAR (L8_) 09.12-				Saloon (Compact car-C Segment)				
1.2 (D4F 732)		Gasolina	FWD	1149	55	75	11.13-	■
1.6 (K7M 812)		Gasolina	FWD	1598	59	80	11.13-	■
1.6 (K7M 812)		Gasolina	FWD	1598	60	82	04.14-	■
1.6 (L8A9, L8J0) (K4M 842)		Gasolina	FWD	1598	75	102	04.14-	■
1.6 (L8A9, L8J0) (K4M 845)		Gasolina	FWD	1598	75	102	04.14-	■
1.2 16V LPG (D4F 732)		Gasol./Gas (LPG)	FWD	1149	53	72	11.13-	■
1.2 16V LPG (D4F 734)		Gasol./Gas (LPG)	FWD	1149	53	72	11.13-	■
1.5 dCi (K9K 838)		Diesel	FWD	1461	62	84	12.13-	■
1.5 dCi		Diesel	FWD	1461	66	90	12.13-	■
LOGAN / TONDAR 90 (KS_) 04.07-				Estate (Compact car-C Segment)				
1.5 dCi (KS04, KS1L)		Diesel	FWD	1461	66	90	06.11-06.15	■
SANDERO II /STEPWAY II (B8_) 11.13-				Hatchback (Compact car-C Segment)				
1.2 16V (D4F 732)		Gasolina	FWD	1149	54	73	12.13-	■
1.2 16V (D4F 734)		Gasolina	FWD	1149	54	73	12.13-	■
1.2 16V (D4F 732)		Gasolina	FWD	1149	55	75	04.15-	■
1.6 (K7M 812)		Gasolina	FWD	1598	59	80	11.13-	■
1.6		Gasolina	FWD	1598	60	82	11.13-	■
1.6		Gasolina	FWD	1598	61	83	11.13-	■
1.6 16V		Gasolina	FWD	1598	75	102	04.14-	■
1.6		Gasolina	FWD	1598	78	106	09.16-	■
1.2 16V LPG (D4F 734)		Gasol./Gas (LPG)	FWD	1149	53	72	12.13-	■
1.5 dCi (K9K 830)		Diesel	FWD	1461	62	84	12.13-	■
THALIA III / SYMBOL (L8_) 12.13-				Saloon (Supermini car-B Segment)				
0.9 TCe (H4B 400)		Gasolina	FWD	898	66	90	06.14-	■
0.9 TCe		Gasolina	FWD	898	66	90	04.14-	■
1.0 SCe (L8JC)		Gasolina	FWD	998	54	73	01.17-11.19	■
1.2 16V (D4F 732)		Gasolina	FWD	1149	55	75	12.13-	■
1.2 LPG		Gasol./Gas (LPG)	FWD	1149	55	75	03.14-	■
1.5 dCi (K9K 612)		Diesel	FWD	1461	55	75	07.14-	■
1.5 dCi (L8AJ) (K9K 612)		Diesel	FWD	1461	66	90	12.13-	■
TWINGO III (BCM_, BCA_) 09.14-				Hatchback (City car-A Segment)				
0.9 TCe 90 (BCM9, BCM2) (H4B 401)		Gasolina	RWD	898	66	90	09.14-04.19	■
0.9 TCe 95 (H4B 453)		Gasolina	RWD	898	68	92	03.19-01.21	■
0.9 TCe 110 (H4B 401)		Gasolina	RWD	898	80	109	11.16-04.19	■
1.0 SCe 65 (BCMJ) (B4D 403)		Gasolina	RWD	999	48	65	03.19-07.24	■
1.0 SCe 70 (BCMB) (H4D 400)		Gasolina	RWD	999	51	69	09.15-04.19	■
1.0 SCe 70 (H4D 400)		Gasolina	RWD	999	52	71	09.14-04.19	■
1.0 SCe 75 (B4D 403)		Gasolina	RWD	999	54	73	03.19-01.21	■
0.9 TCe 90 LPG (BCMD) (H4B 451)		Gasol./Gas (LPG)	RWD	898	66	90	08.18-04.19	■
Z.E: (BCA1)		Eléctrico	RWD		60	82	05.20-07.24	■
SMART								
FORFOUR II (453) 07.14-				Hatchback (City car-A Segment)				
0.9 (453.044, 453.053) (H4B 409)		Gasolina	RWD	898	66	90	11.14-	■
0.9 (453.044, 453.053) (M 281.910)		Gasolina	RWD	898	66	90	11.14-	■

LISTA DE APLICACIONES - BUYERS GUIDE

0.9 Brabus (453.062) (M 281.910)	Gasolina	RWD	898	80	109	07.16-	■
1.0 (453.041) (M 281.920)	Gasolina	RWD	999	45	60	11.14-	■
1.0 (453.042, 453.043) (H4DA401)	Gasolina	RWD	999	52	71	07.14-	■
1.0 (453.042, 453.043) (M 281.920)	Gasolina	RWD	999	52	71	07.14-	■
electric drive / EQ (453.491)	Eléctrico	RWD		41	56	05.17-	■
electric drive (453.091)	Eléctrico	RWD		60	82	05.17-	■
FORTWO III (453) 09.15-				Convertible (City car-A Segment)			
electric drive	Gasolina	FWD		55	75	11.16-	■
0.9 (453.444, 453.453) (M 281.910)	Gasolina	RWD	898	66	90	09.15-	■
0.9 Brabus (453.462) (M 281.910)	Gasolina	RWD	898	80	109	07.16-	■
1.0 (453.442, 453.443) (M 281.920)	Gasolina	RWD	999	52	71	09.15-	■
electric drive / EQ (453.491)	Eléctrico	RWD		41	56	05.17-	■
electric drive (453.491)	Eléctrico	RWD		60	82	05.17-	■
FORTWO III (453) 07.14-				Coupe (City car-A Segment)			
electric drive	Gasolina	FWD		55	75	11.16-	■
0.9 (453.344, 453.353) (M 281.910)	Gasolina	RWD	898	66	90	09.14-	■
0.9 Brabus (453.362) (M 281.910)	Gasolina	RWD	898	80	109	07.16-	■
1.0 (453.341) (M 281.920)	Gasolina	RWD	999	45	60	11.14-	■
1.0 (453.342, 453.343) (M 281.920)	Gasolina	RWD	999	52	71	07.14-	■
electric drive / EQ (453.491)	Eléctrico	RWD		41	56	05.17-	■
electric drive (453.391)	Eléctrico	RWD		60	82	05.17-	■