

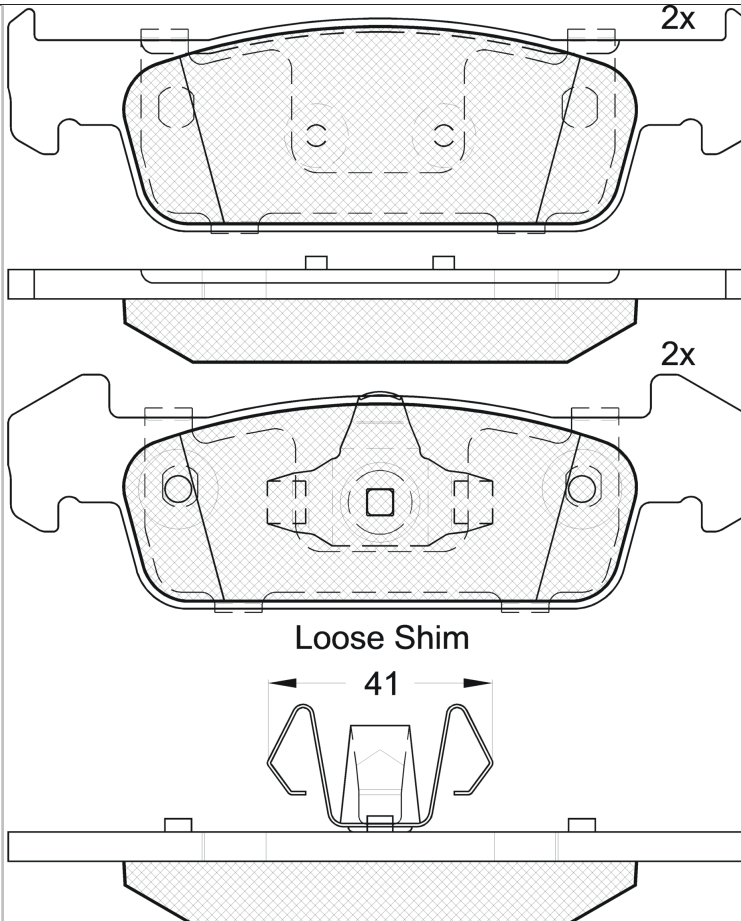
LISTA DE APLICACIONES - BUYERS GUIDE

182115-202



Qty: 300

Weight: 1.170



182115-202

E 9 90R-02A0111/3657



Ate - Teves

140.1x42x18

140.1x44.1x18

WVA

25702

25728

25738

MAKE

DACIA

RENAULT



Trac.	CC	Kw	CV
-------	----	----	----



Front / Rear

DACIA

LOGAN II (L52) 10.12-

Saloon (Compact car-C Segment)

TCe 90 (L8MA, L8M1, L8AC) (H4B 400)		Gasolina	FWD	898	66	90	10.12-	■
TCe 90 (L8MA, L8M1, L8AC) (H4B 408)		Gasolina	FWD	898	66	90	10.12-	■
1.2	ENPA01, ENPB01, ENPE01, SAN713	Gasolina	FWD	1149	54	73	05.15-	■
1.2 (D4F 732)	ENPA01, ENPB01, ENPE01, SAN713	Gasolina	FWD	1149	55	75	10.12-	■
1.6 (K7M 812)		Gasolina	FWD	1598	63	86	06.13-08.16	■
1.6 16V	Eq.V_ ENPA01,ENPB01	Gasolina	FWD	1598	75	102	04.15-	■
1.6 16V (K4M 842)	Eq.V_ ENPA01,ENPB01	Gasolina	FWD	1598	77	105	01.13-	■
TCe 90 LPG (H4B 405)		Gasol./G as (LPG)	FWD	898	66	90	09.15-	■
TCe 90 LPG (H4B 410)		Gasol./G as (LPG)	FWD	898	66	90	09.15-	■
1.2 LPG (D4F 734)		Gasol./G as (LPG)	FWD	1149	53	72	02.13-	■
1.2 LPG (D4F 734)	ENPA01, ENPB01, ENPE01, SAN713	Gasol./G as (LPG)	FWD	1149	55	75	10.12-	■
1.5 dCi / Blue dCi 75 (K9K 612)		Diesel	FWD	1461	55	75	10.12-	■
1.5 dCi / Blue dCi 75 (K9K 626)		Diesel	FWD	1461	55	75	10.12-	■
1.5 dCi / Blue dCi 75 (K9K 872)		Diesel	FWD	1461	55	75	10.12-	■
1.5 dCi (K9K 830)		Diesel	FWD	1461	63	84	01.13-	■
1.5 dCi (K9K 838)		Diesel	FWD	1461	63	84	01.13-	■
1.5 dCi (K9K 612)		Diesel	FWD	1461	66	90	10.12-	■
1.5 dCi (K9K 626)		Diesel	FWD	1461	66	90	10.12-	■

LOGAN II MCV (K52) 02.13-

Estate (Compact car-C Segment)

TCe 90 (K8M1, K8MA, K8AC) (H4B 400)		Gasolina	FWD	898	66	90	02.13-	■
-------------------------------------	--	----------	-----	-----	----	----	--------	---

LISTA DE APLICACIONES - BUYERS GUIDE

TCe 90 (K8M1, K8MA, K8AC) (H4B 408)		Gasolina	FWD	898	66	90	02.13-	■	
1.0 SCe 75 (B4D 400)		Gasolina	FWD	998	54	73	12.16-	■	
1.0 SCe 75 (B4D 401)		Gasolina	FWD	998	54	73	12.16-	■	
1.2 (D4F 732)		Gasolina	FWD	1149	54	73	05.15-	■	
1.2 (D4F 732)		Gasolina	FWD	1149	55	75	02.13-	■	
1.6 (K7M 812)		Gasolina	FWD	1598	62	84	06.13-	■	
TCe 90 LPG (H4B 405)		Gasol./G as (LPG)	FWD	898	66	90	09.15-	■	
TCe 90 LPG (H4B 410)		Gasol./G as (LPG)	FWD	898	66	90	09.15-	■	
1.2 LPG (D4F 734)		Gasol./G as (LPG)	FWD	1149	53	72	02.13-	■	
1.2 LPG (D4F 734)		Gasol./G as (LPG)	FWD	1149	55	75	02.13-	■	
1.5 dCi (K9K 612)		Diesel	FWD	1461	55	75	02.13-	■	
1.5 dCi (K9K 626)		Diesel	FWD	1461	55	75	02.13-	■	
1.5 dCi (K9K 830)		Diesel	FWD	1461	63	84	02.13-	■	
1.5 dCi (K9K 838)		Diesel	FWD	1461	63	84	02.13-	■	
1.5 dCi (K9K 612)		Diesel	FWD	1461	66	90	02.13-	■	
1.5 dCi (K9K 626)		Diesel	FWD	1461	66	90	02.13-	■	
							Hatchback (Compact car-C Segment)		
SANDERO II (B8_) 10.12-									
TCe 90 (B8M1, B8MA, B8AC) (H4B 400)		Gasolina	FWD	898	66	90	10.12-	■	
1.0 SCe 75 (B8JC, B8JD, B8NC) (B4D 400)		Gasolina	FWD	999	54	73	12.16-09.20	■	
1.0 SCe 75 (B8JC, B8JD, B8NC) (B4D 401)		Gasolina	FWD	999	54	73	12.16-09.20	■	
1.2 (D4F 732)	ENPA01, ENPB01, ENPE01, SAN713	Gasolina	FWD	1149	54	73	05.15-	■	
1.2 (D4F 732)	discØ 288, ENPA01, ENPB01, ENPE01, SAN713	Gasolina	FWD	1149	55	75	10.12-	■	
1.6		Gasolina	FWD	1598	63	86	11.12-	■	
TCe 90 LPG (B8M1)		Gasol./G as (LPG)	FWD	898	66	90	09.15-	■	
1.2 LPG (D4F 734)	ENPA01, ENPB01, ENPE01, SAN713	Gasol./G as (LPG)	FWD	1149	55	75	10.12-	■	
1.5 dCi 75 / Blue dCi 75 (B8JW, B8M4, B8AH, B8M7, B8M6) (K9K 612)		Diesel	FWD	1461	55	75	10.12-	■	
1.5 dCi 75 / Blue dCi 75 (B8JW, B8M4, B8AH, B8M7, B8M6) (K9K 626)		Diesel	FWD	1461	55	75	10.12-	■	
1.5 dCi 75 / Blue dCi 75 (B8JW, B8M4, B8AH, B8M7, B8M6) (K9K 838)		Diesel	FWD	1461	55	75	10.12-	■	
1.5 dCi 75 / Blue dCi 75 (B8JW, B8M4, B8AH, B8M7, B8M6) (K9K 872)		Diesel	FWD	1461	55	75	10.12-	■	
1.5 dCi (K9K 830)		Diesel	FWD	1461	63	84	01.13-	■	
1.5 dCi (K9K 612)		Diesel	FWD	1461	66	90	10.12-	■	
1.5 dCi (K9K 626)		Diesel	FWD	1461	66	90	10.12-	■	
1.5 Blue dCi 95 (B8JL) (K9K 872)		Diesel	FWD	1461	70	95	08.18-	■	
RENAULT									
							Hatchback Van (LCVs-N1 Segment)		
CLIO IV (BH_) 01.14-									
1.5 dCi 75 (K9K 612)		Diesel	FWD	1461	55	75	01.14-08.21	■	
1.5 dCi 90 (BHAJ) (K9K 608)		Diesel	FWD	1461	66	90	01.14-08.21	■	
1.5 dCi 90 (BHAJ) (K9K 628)		Diesel	FWD	1461	66	90	01.14-08.21	■	
1.5 dCi 90 (BHAJ) (K9K 629)		Diesel	FWD	1461	66	90	01.14-08.21	■	
							Hatchback (Supermini car-B Segment)		
CLIO IV (BH_) 11.12-									
0.9 TCe 75 (BHNP) (H4B 408)		Gasolina	FWD	898	56	76	05.18-08.21	■	
1.5 dCi 75 (BHN3) (K9K 612)		Diesel	FWD	1461	55	75	11.12-08.21	■	
1.5 dCi 75 (BHN3) (K9K 628)		Diesel	FWD	1461	55	75	11.12-08.21	■	
1.5 dCi (BHM6) (K9K 838)		Diesel	FWD	1461	62	84	11.12-08.21	■	

LISTA DE APLICACIONES - BUYERS GUIDE

1.5 dCi (BHMW) (K9K 830)		Diesel	FWD	1461	63	86	11.12-08.21	■
1.5 dCi 90 (K9K 608)		Diesel	FWD	1461	66	90	11.12-08.21	■
1.5 dCi 90 (K9K 628)		Diesel	FWD	1461	66	90	11.12-08.21	■
1.5 dCi 90 (K9K 638)		Diesel	FWD	1461	66	90	11.12-08.21	■
LOGAN II MCV / TONDAR (K8_) 11.13-				Estate (Compact car-C Segment)				
1.2 16V (D4F 732)		Gasolina	FWD	1149	54	73	12.13-	■
1.2 16V (D4F 734)		Gasolina	FWD	1149	54	73	12.13-	■
1.6 (K7M 812)		Gasolina	FWD	1598	59	80	12.13-	■
1.2 16V LPG (D4F 732)		Gasol./G as (LPG)	FWD	1149	53	72	12.13-	■
1.2 16V LPG (D4F 734)		Gasol./G as (LPG)	FWD	1149	53	72	12.13-	■
1.5 dCi (K9K 838)		Diesel	FWD	1461	62	84	12.13-	■
1.5 dCi		Diesel	FWD	1461	66	90	12.13-	■
LOGAN II /STEPWAY II / TONDAR (L8_) 09.12-				Saloon (Compact car-C Segment)				
1.2 (D4F 732)	ENPA01, ENPB01, ENPE01, SAN713	Gasolina	FWD	1149	55	75	11.13-	■
1.6 (K7M 812)		Gasolina	FWD	1598	59	80	11.13-	■
1.6 (K7M 812)	ENPA01, ENPB01, ENPE01, SAN713	Gasolina	FWD	1598	60	82	04.14-	■
1.6		Gasolina	FWD	1598	63	86	11.13-	■
1.6 (L8A9, L8J0) (K4M 842)	Eq.V_ ENPA01,ENPB01	Gasolina	FWD	1598	75	102	04.14-	■
1.6 (L8A9, L8J0) (K4M 845)	Eq.V_ ENPA01,ENPB01	Gasolina	FWD	1598	75	102	04.14-	■
1.6 (H4M 438)		Gasolina	FWD	1598	83	113	09.16-	■
1.2 16V LPG (D4F 732)	ENPA01, ENPB01, ENPE01, SAN713	Gasol./G as (LPG)	FWD	1149	53	72	11.13-	■
1.2 16V LPG (D4F 734)	ENPA01, ENPB01, ENPE01, SAN713	Gasol./G as (LPG)	FWD	1149	53	72	11.13-	■
1.5 dCi (K9K 838)		Diesel	FWD	1461	62	84	12.13-	■
1.5 dCi		Diesel	FWD	1461	66	90	12.13-	■
LOGAN / TONDAR 90 (KS_) 04.07-				Estate (Compact car-C Segment)				
1.5 dCi (KS04, KS1L)		Diesel	FWD	1461	66	90	06.11-06.15	■
SANDERO II /STEPWAY II (B8_) 11.13-				Hatchback (Compact car-C Segment)				
TCe 90 (B8MA, B8M1, B8JR)		Gasolina	FWD	898	66	90	09.15-	■
1.2 16V (D4F 732)	discØ 288, ENPA01, ENPB01, ENPE01, SAN713	Gasolina	FWD	1149	54	73	12.13-	■
1.2 16V (D4F 734)	discØ 288, ENPA01, ENPB01, ENPE01, SAN713	Gasolina	FWD	1149	54	73	12.13-	■
1.2 16V (D4F 732)		Gasolina	FWD	1149	55	75	04.15-	■
1.6 (K7M 812)	ENPA01, ENPB01, ENPE01, SAN713	Gasolina	FWD	1598	59	80	11.13-	■
1.6	ENPA01, ENPB01, ENPE01, SAN713	Gasolina	FWD	1598	60	82	11.13-	■
1.6	ENPA01, ENPB01, ENPE01, SAN713	Gasolina	FWD	1598	61	83	11.13-	■
1.6		Gasolina	FWD	1598	63	86	04.16-	■
1.6 16V		Gasolina	FWD	1598	75	102	04.14-	■
1.6 (B8JA) (H4M 429)		Gasolina	FWD	1598	83	113	09.16-	■
1.6 (B8JA) (H4M 438)		Gasolina	FWD	1598	83	113	09.16-	■
1.2 16V LPG (D4F 734)	discØ 288, ENPA01, ENPB01, ENPE01, SAN713	Gasol./G as (LPG)	FWD	1149	53	72	12.13-	■
1.5 dCi (K9K 830)		Diesel	FWD	1461	62	84	12.13-	■
1.5 dCi (B8AL)		Diesel	FWD	1461	66	90	01.17-	■
THALIA III / SYMBOL (L8_) 12.13-				Saloon (Supermini car-B Segment)				
1.2 16V (D4F 732)		Gasolina	FWD	1149	55	75	12.13-	■

LISTA DE APLICACIONES - BUYERS GUIDE

1.2 LPG		Gasol./Gas (LPG)	FWD	1149	55	75	03.14-	■	
1.5 dCi (K9K 612)		Diesel	FWD	1461	55	75	07.14-	■	
1.5 dCi (L8AJ) (K9K 612)		Diesel	FWD	1461	66	90	12.13-	■	
1.5 dCi		Diesel	FWD	1461	70	95	11.19-	■	
TWINGO III (BCM_, BCA_) 09.14-					Hatchback (City car-A Segment)				
0.9 TCe 95 (H4B 453)		Gasolina	RWD	898	68	92	03.19-01.21	■	
1.0 SCe 65 (BCMJ) (B4D 403)		Gasolina	RWD	999	48	65	03.19-07.24	■	
1.0 SCe 75 (B4D 403)		Gasolina	RWD	999	54	73	03.19-01.21	■	
0.9 TCe 90 LPG (BCMD) (H4B 451)		Gasol./Gas (LPG)	RWD	898	66	90	08.18-04.19	■	