

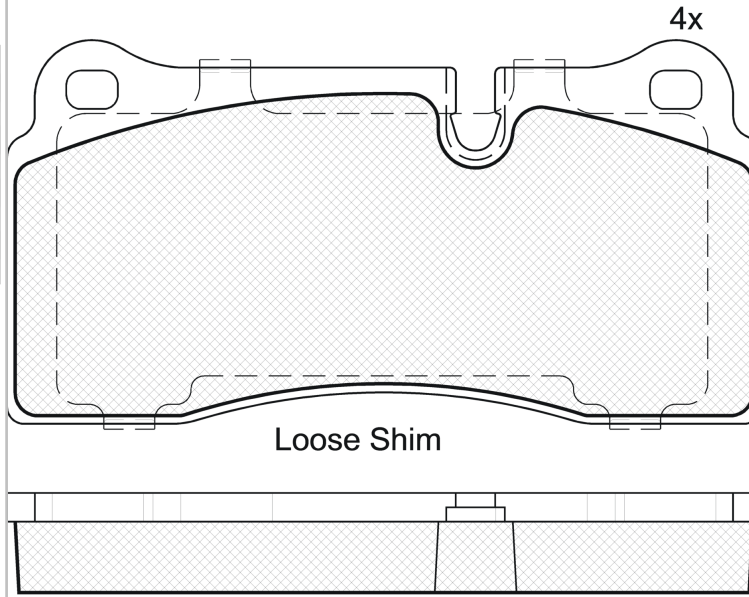
# LISTA DE APLICACIONES - BUYERS GUIDE

## 182121



Qty: 300      Weight: 1.980

O.E.M.	MAKE
34 21 2 284 482	BMW
34 21 2 284 990	BMW
34 21 8 009 753	BMW
34 21 9 501 835	BMW
4L0 698 451 C	AUDI
4L0 698 451 E	AUDI
4L0698451B	AUDI
4S0 698 451 A	AUDI



## 182121

**E 9 90R-02A0111/3653**



Brembo

131.8x67.1x18

WVA	FMSI
22436	D2097-8859
24261	
MAKE	
AUDI	
BMW	



Trac.	CC	Kw	CV
-------	----	----	----



Front / Rear

### AUDI

Q7 (4LB) 03.06-01.16						SUV Van (Luxury Crossover SUV-J Segment)			
3.0 TFSI quattro	PR 2EF	Gasolina	4WD	2995	245	333	05.10-08.15	■	
3.6 FSI quattro	01/09-, PR 2EF	Gasolina	4WD	3597	206	280	08.06-05.10	■	
4.2 FSI quattro	01/09-, PR 2EF	Gasolina	4WD	4163	257	350	08.06-05.10	■	
3.0 TDI quattro	PR 2EF	Diesel	4WD	2967	150	204	11.10-08.15	■	
3.0 TDI quattro	01/09-, PR 2EF	Diesel	4WD	2967	155	211	03.06-05.10	■	
3.0 TDI quattro		Diesel	4WD	2967	171	232	03.06-05.08	■	
3.0 TDI quattro	01/09-, PR 2EF	Diesel	4WD	2967	176	240	11.07-05.12	■	
3.0 TDI quattro	PR 2EF	Diesel	4WD	2967	180	245	05.11-08.15	■	
4.2 TDI quattro	01/09-	Diesel	4WD	4134	240	326	03.07-06.09	■	
4.2 TDI quattro	PR 2EF	Diesel	4WD	4134	250	340	03.07-08.15	■	
6.0 TDI quattro	01/09-, No PR 2EF	Diesel	4WD	5934	368	500	09.08-05.14	■	

Q7 (4LB) 03.06-01.16						SUV (Luxury Crossover SUV-J Segment)			
3.0 TFSI quattro (CJTC)	PR 2EF	Gasolina	4WD	2995	200	272	05.10-08.15	■	
3.0 TFSI quattro (CJWC)	PR 2EF	Gasolina	4WD	2995	200	272	05.10-08.15	■	
3.0 TFSI quattro (CJWE)	PR 2EF	Gasolina	4WD	2995	206	280	05.11-08.15	■	
3.0 TFSI quattro (CTWB)	PR 2EF	Gasolina	4WD	2995	206	280	05.11-08.15	■	
3.0 TFSI quattro (CJTb)	PR 2EF	Gasolina	4WD	2995	245	333	05.10-08.15	■	
3.0 TFSI quattro (CJWB)	PR 2EF	Gasolina	4WD	2995	245	333	05.10-08.15	■	
3.0 TFSI quattro (CNAa)	PR 2EF	Gasolina	4WD	2995	245	333	05.10-08.15	■	
3.0 TFSI quattro (CTWA)	PR 2EF	Gasolina	4WD	2995	245	333	05.10-08.15	■	
3.6 FSI quattro (BHK)	01/09-, PR 2EF	Gasolina	4WD	3597	206	280	08.06-05.10	■	
4.2 quattro (BAR)	PR 2EF	Gasolina	4WD	4163	231	314	03.06-12.10	■	

# LISTA DE APLICACIONES - BUYERS GUIDE

4.2 FSI quattro (BAR)	01/09-, PR 2EF	Gasolina	4WD	4163	257	350	03.06-05.10	■	
3.0 TDI quattro (CJGC)	PR 2EF	Diesel	4WD	2967	150	204	05.10-08.15	■	
3.0 TDI quattro (CJMA)	PR 2EF	Diesel	4WD	2967	150	204	05.10-08.15	■	
3.0 TDI quattro (BUN)	01/09-, PR 2EF	Diesel	4WD	2967	155	211	03.06-05.10	■	
3.0 TDI quattro (CASB)	01/09-, PR 2EF	Diesel	4WD	2967	155	211	03.06-05.10	■	
3.0 TDI quattro (CATA)	PR 2EF	Diesel	4WD	2967	165	224	06.09-05.12	■	
3.0 TDI quattro (BUG)		Diesel	4WD	2967	171	233	03.06-05.08	■	
3.0 TDI quattro (CASA)	01/09-, PR 2EF	Diesel	4WD	2967	176	240	11.07-08.15	■	
3.0 TDI quattro (CCMA)	01/09-, PR 2EF	Diesel	4WD	2967	176	240	11.07-08.15	■	
3.0 TDI quattro (CJGA)	01/09-, PR 2EF	Diesel	4WD	2967	176	240	11.07-08.15	■	
3.0 TDI quattro (CNRB)	01/09-, PR 2EF	Diesel	4WD	2967	176	240	11.07-08.15	■	
3.0 TDI quattro (CJGD)	PR 2EF	Diesel	4WD	2967	180	245	05.11-08.15	■	
3.0 TDI quattro (CLZB)	PR 2EF	Diesel	4WD	2967	180	245	05.11-08.15	■	
3.0 TDI quattro (CRCA)	PR 2EF	Diesel	4WD	2967	180	245	05.11-08.15	■	
4.2 TDI quattro (BTR)	01/09-	Diesel	4WD	4134	240	326	03.07-06.09	■	
4.2 TDI quattro (CCFA)	PR 2EF	Diesel	4WD	4134	250	340	05.09-08.15	■	
4.2 TDI quattro (CCFC)	PR 2EF	Diesel	4WD	4134	250	340	05.09-08.15	■	
6.0 TDI quattro (CCGA)	01/09-, PR 2EF	Diesel	4WD	5934	368	500	09.08-05.14	■	
<b>R8 (422, 423) 04.07-12.16</b>							<b>Coupe (Sports car-S Segment)</b>		
4.2 FSI quattro (BYH)	not ceramic brakes, PR 1KU, PR 2EJ, discØ 356	Gasolina	4WD	4163	309	420	04.07-09.10	■	
4.2 FSI quattro (CNDA)	not ceramic brakes	Gasolina	4WD	4163	316	430	07.10-07.15	■	
5.2 FSI quattro (BUJ)	not ceramic brakes, PR 1KU, PR 2EJ, discØ 356	Gasolina	4WD	5204	386	525	04.09-07.15	■	
5.2 FSI quattro (CTYA)	not ceramic brakes, PR 1KU, PR 2EJ, discØ 356	Gasolina	4WD	5204	386	525	04.09-07.15	■	
5.2 FSI quattro (CTPA)	not ceramic brakes	Gasolina	4WD	5204	404	550	05.12-07.15	■	
5.2 FSI quattro (CMPA)	not ceramic brakes	Gasolina	4WD	5204	412	560	11.10-07.15	■	
5.2 FSI quattro (CTPB)	not ceramic brakes	Gasolina	4WD	5204	419	570	07.14-07.15	■	
<b>R8 II (4S3, 4SP) 07.15-</b>							<b>Coupe (Sports car-S Segment)</b>		
5.2 FSI quattro (CSPB)	not ceramic disc, PR 1KY, PR 2ED	Gasolina	4WD	5204	397	540	07.15-	■	
5.2 FSI RWS (DKAB)	not ceramic disc, PR 1KY, PR 2ED	Gasolina	RWD	5204	397	540	09.17-	■	
5.2 FSI quattro (DKAC)	not ceramic disc, PR 1KY, PR 2ED	Gasolina	4WD	5204	419	570	09.18-	■	
5.2 FSI Plus quattro (CSPA)	not ceramic disc, PR 1KY, PR 2ED	Gasolina	4WD	5204	449	610	07.15-	■	
5.2 FSI Plus quattro (DKAA)	not ceramic disc, PR 1KY, PR 2ED	Gasolina	4WD	5204	449	610	07.15-	■	
5.2 FSI quattro (DMWA)	not ceramic disc, PR 1KY, PR 2ED	Gasolina	4WD	5204	456	620	09.18-	■	
<b>R8 II Spyder (4S9, 4SR) 05.16-</b>							<b>Convertible (Sports car-S Segment)</b>		
5.2 FSI quattro (DKAC)	PR 1KY, PR 2ED	Gasolina	4WD	5204	419	570	09.18-	■	
5.2 FSI quattro (DMWA)	PR 1KY, PR 2ED	Gasolina	4WD	5204	456	620	09.18-	■	
<b>R8 Spyder (427, 429) 02.10-08.16</b>							<b>Convertible (Sports car-S Segment)</b>		
4.2 FSI quattro (CNDA)	not ceramic brakes	Gasolina	4WD	4163	316	430	09.10-07.15	■	
5.2 FSI quattro (BUJ)	not ceramic brakes, PR 1KU, PR 2EJ, discØ 356	Gasolina	4WD	5204	386	525	02.10-07.15	■	
5.2 FSI quattro (CTYA)	not ceramic brakes, PR 1KU, PR 2EJ, discØ 356	Gasolina	4WD	5204	386	525	02.10-07.15	■	
5.2 FSI	not ceramic brakes	Gasolina	FWD	5204	404	549	05.12-	■	
5.2 FSI		Gasolina	4WD	5204	404	550	07.12-07.15	■	
5.2 FSI quattro (CMPA)	not ceramic brakes	Gasolina	4WD	5204	412	560	11.11-07.15	■	
5.2 FSI		Gasolina	4WD	5204	419	570	07.12-07.15	■	

**BMW**

# LISTA DE APLICACIONES - BUYERS GUIDE

<b>2 Serie (F22, F87) 10.12-</b>						<b>Coupe (Compact car-C Segment)</b>			
M2 (N55 B30 A)	discØ 380, SA S4007, M-sport package	Gasolina	RWD	2979	272	370	11.15-06.18	■	
M2 Competition (S55 B30 A)	discØ 380, SA S4007, M-sport package, M technique	Gasolina	RWD	2979	302	411	06.18-06.21	■	
M2 CS (S55 B30 A)	discØ 380, SA S4007, M-sport package, M technique	Gasolina	RWD	2979	331	450	11.19-06.21	■	
<b>3 Serie VI (F30, F80) 11.11-10.18</b>						<b>Saloon (Compact executive car-D Segment)</b>			
M3 (S55 B30 A)	01/15-, discØ 380	Gasolina	RWD	2979	317	431	03.14-10.18	■	
M3 Competition (S55 B30 A)	discØ 380	Gasolina	RWD	2979	331	450	03.16-10.18	■	
M3 CS (S55 B30 A)	discØ 380	Gasolina	RWD	2979	338	460	01.18-10.18	■	
<b>3 Serie VII Touring (G21, G81) 07.19-</b>						<b>Estate (Compact executive car-D Segment)</b>			
M3 Competition xDrive		Gasolina	4WD	2993	390	530	07.24-	■	
<b>4 Serie (F33, F83) 10.13-</b>						<b>Convertible (Compact executive car-D Segment)</b>			
M4 (S55 B30 A)	discØ 380	Gasolina	RWD	2979	317	431	07.14-07.20	■	
M4 Competition (S55 B30 A)	discØ 380	Gasolina	RWD	2979	331	450	03.16-07.20	■	
<b>4 Serie (F32, F82) 07.13-</b>						<b>Coupe (Compact executive car-D Segment)</b>			
M4 (S55 B30 A)	discØ 380	Gasolina	RWD	2979	317	431	03.14-06.20	■	
M4 Competition (S55 B30 A)	discØ 380	Gasolina	RWD	2979	331	450	03.16-06.20	■	
M4 CS (S55 B30 A)	discØ 380	Gasolina	RWD	2979	338	460	07.17-06.19	■	
M4 GTS (S55 B30 A)	discØ 380	Gasolina	RWD	2979	368	500	03.16-06.19	■	
<b>4 Serie II (G22, G82) 07.20-</b>						<b>Coupe (Compact executive car-D Segment)</b>			
M4 CS xDrive		Gasolina	4WD	2993	405	551	07.24-	■	