

LISTA DE APLICACIONES - BUYERS GUIDE

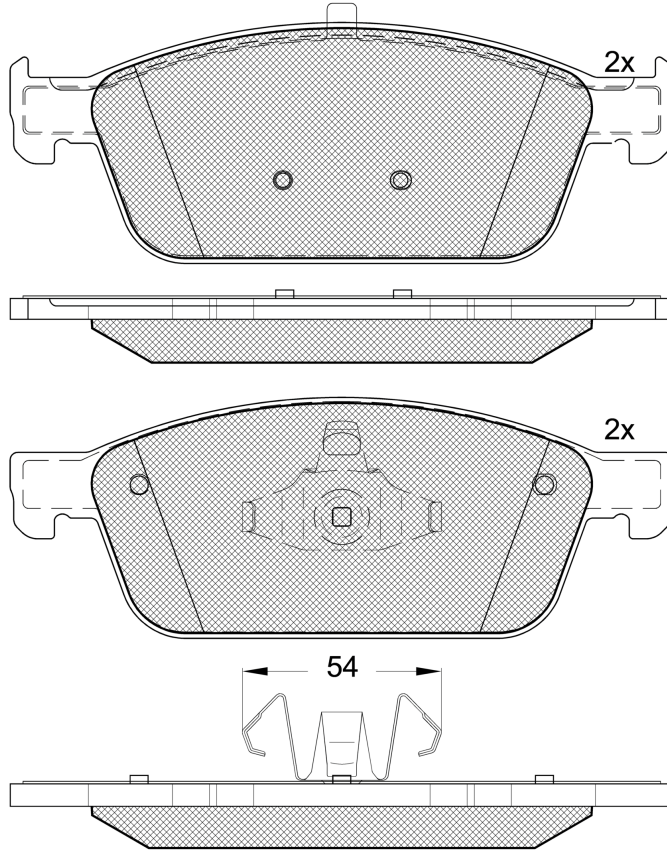
182134



Qty: 300

Weight: 2.475

O.E.M.	MAKE
1 775 091	FORD
2 253 406	FORD
2 271 968	FORD
2 286 735	FORD
2 390 587	FORD
2 433 781	FORD
2 540 221	FORD
2039733	FORD
BV61-2K021-AC	FORD
BV61-2K021-AD	FORD
BV6Z-2001-C	FORD
EJ7Z-2001-B	FORD
EJ7Z-2001-C	FORD
FU2Z-2V001-C	FORD
KTKV6C-2K021-AA	FORD
KTKV6C-2K021-AB	FORD
KTKV6C-2K021-AC	FORD
KTKV6C-2K021-AD	FORD
KTKV6C-2K021-CA	FORD
MEBV6J-2K021-AA	FORD



182134

E 9 90R-02A0111/3764



Ate - Teves

180.05x65.4x18.1

WVA	FMSI
25736	D1668-8896
25737	

MAKE
FORD
FORD (CHANGAN)
FORD AUSTRALIA
LINCOLN



Trac.	CC	Kw	CV
-------	----	----	----



Front / Rear

FORD

FOCUS III 02.12-								Estate Van (Compact car-C Segment)	
1.0 EcoBoost (M2DA)	Long Wheelbase	Gasolina	FWD	998	74	100	02.12-02.20	■	
1.0 EcoBoost (M2DB)	Long Wheelbase	Gasolina	FWD	998	74	100	02.12-02.20	■	
1.0 EcoBoost (M2DC)	Long Wheelbase	Gasolina	FWD	998	74	100	02.12-02.20	■	
1.0 EcoBoost (SFDA)	Long Wheelbase	Gasolina	FWD	998	74	100	02.12-02.20	■	
1.0 EcoBoost (SFDB)	Long Wheelbase	Gasolina	FWD	998	74	100	02.12-02.20	■	
1.0 EcoBoost (M1DA)	Long Wheelbase	Gasolina	FWD	998	92	125	02.12-02.20	■	
1.0 EcoBoost (M1DC)	Long Wheelbase	Gasolina	FWD	998	92	125	02.12-02.20	■	
1.0 EcoBoost (M1DD)	Long Wheelbase	Gasolina	FWD	998	92	125	02.12-02.20	■	
1.5 EcoBoost (M8DA)	Long Wheelbase	Gasolina	FWD	1498	110	150	09.14-02.20	■	
1.5 EcoBoost (M8DB)	Long Wheelbase	Gasolina	FWD	1498	110	150	09.14-02.20	■	
1.5 EcoBoost (M8DD)	Long Wheelbase	Gasolina	FWD	1498	110	150	09.14-02.20	■	
1.5 EcoBoost (M8DE)	Long Wheelbase	Gasolina	FWD	1498	110	150	09.14-02.20	■	
1.5 EcoBoost (M9DA)	Long Wheelbase, Red Caliper	Gasolina	FWD	1498	134	182	09.14-02.20	■	
1.5 EcoBoost (M9DB)	Long Wheelbase, Red Caliper	Gasolina	FWD	1498	134	182	09.14-02.20	■	
1.5 TDCi (XXDA)	Long Wheelbase, Performance brakes	Diesel	FWD	1499	70	95	09.14-02.20	■	
1.5 TDCi (XXDC)	Long Wheelbase, Performance brakes	Diesel	FWD	1499	70	95	09.14-02.20	■	
1.5 TDCi ECONetic (XXDB)	Long Wheelbase, Performance brakes	Diesel	FWD	1499	77	105	09.14-02.20	■	
1.5 TDCi (XWDA)	Long Wheelbase, Performance brakes	Diesel	FWD	1499	88	120	09.14-02.20	■	
1.5 TDCi (XWDB)	Long Wheelbase, Performance brakes	Diesel	FWD	1499	88	120	09.14-02.20	■	
1.5 TDCi (XWDC)	Long Wheelbase, Performance brakes	Diesel	FWD	1499	88	120	09.14-02.20	■	

LISTA DE APLICACIONES - BUYERS GUIDE

1.5 TDCi (XWDD)	Long Wheelbase, Performance brakes	Diesel	FWD	1499	88	120	09.14-02.20	■	
2.0 TDCi (T7DA)	Long Wheelbase, Performance brakes	Diesel	FWD	1997	110	150	11.14-02.20	■	
2.0 TDCi (T7DB)	Long Wheelbase, Performance brakes	Diesel	FWD	1997	110	150	11.14-02.20	■	
							Hatchback Van (Compact car-C Segment)		
FOCUS III (C346) 01.11-									
1.0 EcoBoost (M2DA)	Long Wheelbase	Gasolina	FWD	998	74	100	02.12-12.17	■	
1.0 EcoBoost (M2DB)	Long Wheelbase	Gasolina	FWD	998	74	100	02.12-12.17	■	
1.0 EcoBoost (M2DC)	Long Wheelbase	Gasolina	FWD	998	74	100	02.12-12.17	■	
1.0 EcoBoost (SFDA)	Long Wheelbase	Gasolina	FWD	998	74	100	02.12-12.17	■	
1.0 EcoBoost (SFDB)	Long Wheelbase	Gasolina	FWD	998	74	100	02.12-12.17	■	
1.0 EcoBoost (M1DA)	Long Wheelbase	Gasolina	FWD	998	92	125	02.12-12.17	■	
1.0 EcoBoost (M1DC)	Long Wheelbase	Gasolina	FWD	998	92	125	02.12-12.17	■	
1.0 EcoBoost (M1DD)	Long Wheelbase	Gasolina	FWD	998	92	125	02.12-12.17	■	
1.5 EcoBoost (M8DA)	Long Wheelbase	Gasolina	FWD	1498	110	150	09.14-12.17	■	
1.5 EcoBoost (M8DB)	Long Wheelbase	Gasolina	FWD	1498	110	150	09.14-12.17	■	
1.5 EcoBoost (M9DA)	Long Wheelbase, Red Caliper	Gasolina	FWD	1498	134	182	09.14-12.17	■	
1.5 EcoBoost (M9DB)	Long Wheelbase, Red Caliper	Gasolina	FWD	1498	134	182	09.14-12.17	■	
1.5 TDCi (XXDA)	Long Wheelbase, Performance brakes	Diesel	FWD	1499	70	95	09.14-12.17	■	
1.5 TDCi (XXDC)	Long Wheelbase, Performance brakes	Diesel	FWD	1499	70	95	09.14-12.17	■	
1.5 TDCi (XXDD)	Long Wheelbase, Performance brakes	Diesel	FWD	1499	70	95	09.14-12.17	■	
1.5 TDCi ECOnetic (AEDA)	Long Wheelbase, Performance brakes	Diesel	FWD	1499	77	105	09.14-12.17	■	
1.5 TDCi ECOnetic (XXDB)	Long Wheelbase, Performance brakes	Diesel	FWD	1499	77	105	09.14-12.17	■	
1.5 TDCi (XWDA)	Long Wheelbase, Performance brakes	Diesel	FWD	1499	88	120	09.14-12.17	■	
1.5 TDCi (XWDB)	Long Wheelbase, Performance brakes	Diesel	FWD	1499	88	120	09.14-12.17	■	
1.5 TDCi (XWDC)	Long Wheelbase, Performance brakes	Diesel	FWD	1499	88	120	09.14-12.17	■	
1.5 TDCi (XWDD)	Long Wheelbase, Performance brakes	Diesel	FWD	1499	88	120	09.14-12.17	■	
1.5 TDCi (XWDE)	Long Wheelbase, Performance brakes	Diesel	FWD	1499	88	120	09.14-12.17	■	
1.6 TDCi (T1DA)	Long Wheelbase, Performance brakes	Diesel	FWD	1560	85	115	02.12-12.17	■	
1.6 TDCi (T1DB)	Long Wheelbase, Performance brakes	Diesel	FWD	1560	85	115	02.12-12.17	■	
2.0 TDCi (T7DA)	Long Wheelbase, Performance brakes	Diesel	FWD	1997	110	150	11.14-12.17	■	
2.0 TDCi (T7DB)	Long Wheelbase, Performance brakes	Diesel	FWD	1997	110	150	11.14-12.17	■	
							Hatchback (Compact car-C Segment)		
FOCUS III (C346) 07.10-									
1.5 EcoBoost (M8DA)	Long Wheelbase	Gasolina	FWD	1498	110	150	09.14-12.17	■	
1.5 EcoBoost (M8DB)	Long Wheelbase	Gasolina	FWD	1498	110	150	09.14-12.17	■	
1.5 EcoBoost (M9DA)	Long Wheelbase, Red Caliper	Gasolina	FWD	1498	134	182	09.14-12.17	■	
1.5 EcoBoost (M9DB)	Long Wheelbase, Red Caliper	Gasolina	FWD	1498	134	182	09.14-12.17	■	
1.5 EcoBoost (M9DA)	Red Caliper	Gasolina	FWD	1499	132	179	05.15-12.17	■	
1.5 EcoBoost (M9DB)	Red Caliper	Gasolina	FWD	1499	132	179	05.15-12.17	■	
1.6 Ti (XTDA)	Long Wheelbase, Red Caliper	Gasolina	FWD	1596	63	85	08.11-12.17	■	
1.6 Ti (XTDB)	Long Wheelbase, Red Caliper	Gasolina	FWD	1596	63	85	08.11-12.17	■	
2.0 ST	Long Wheelbase	Gasolina	FWD	1997	186	253	09.13-	■	
2.0 (XQDA)	Long Wheelbase	Gasolina	FWD	1999	110	150	10.13-12.17	■	
2.0 Ti-GDi (MGDA)	Long Wheelbase	Gasolina	FWD	1999	125	170	08.11-02.20	■	

LISTA DE APLICACIONES - BUYERS GUIDE

2.0 ST (R9DA)	Long Wheelbase, Performance brakes	Gasolina	FWD	1999	184	250	07.12-12.17	■	
2.0 ST (R9DB)	Long Wheelbase, Performance brakes	Gasolina	FWD	1999	184	250	07.12-12.17	■	
2.0 ST (R9DC)	Long Wheelbase, Performance brakes	Gasolina	FWD	1999	184	250	07.12-12.17	■	
2.0 ST (R9DD)	Long Wheelbase, Performance brakes	Gasolina	FWD	1999	184	250	07.12-12.17	■	
2.0 ST	Performance brakes	Gasolina	FWD	1999	188	256	09.12-	■	
1.5 TDCi (XXDA)	Long Wheelbase, Performance brakes	Diesel	FWD	1499	70	95	09.14-04.18	■	
1.5 TDCi (XXDC)	Long Wheelbase, Performance brakes	Diesel	FWD	1499	70	95	09.14-04.18	■	
1.5 TDCi (XXDD)	Long Wheelbase, Performance brakes	Diesel	FWD	1499	70	95	09.14-04.18	■	
1.5 TDCi ECOnetic (AEDA)	Long Wheelbase, Performance brakes	Diesel	FWD	1499	77	105	09.14-12.17	■	
1.5 TDCi ECOnetic (XXDB)	Long Wheelbase, Performance brakes	Diesel	FWD	1499	77	105	09.14-12.17	■	
1.5 TDCi (XWDA)	Long Wheelbase, Performance brakes	Diesel	FWD	1499	88	120	09.14-04.18	■	
1.5 TDCi (XWDB)	Long Wheelbase, Performance brakes	Diesel	FWD	1499	88	120	09.14-04.18	■	
1.5 TDCi (XWDC)	Long Wheelbase, Performance brakes	Diesel	FWD	1499	88	120	09.14-04.18	■	
1.5 TDCi (XWDD)	Long Wheelbase, Performance brakes	Diesel	FWD	1499	88	120	09.14-04.18	■	
1.5 TDCi (XWDE)	Long Wheelbase, Performance brakes	Diesel	FWD	1499	88	120	09.14-04.18	■	
2.0 TDCi (TYDA)	Long Wheelbase	Diesel	FWD	1997	85	115	07.10-06.14	■	
2.0 TDCi (UKDB)	Long Wheelbase	Diesel	FWD	1997	100	136	07.10-06.14	■	
2.0 TDCi (UFDB)	Long Wheelbase	Diesel	FWD	1997	103	140	07.10-06.14	■	
2.0 TDCi (T7DA)	Long Wheelbase, Performance brakes	Diesel	FWD	1997	110	150	11.14-12.17	■	
2.0 TDCi (T7DB)	Long Wheelbase, Performance brakes	Diesel	FWD	1997	110	150	11.14-12.17	■	
2.0 TDCi (TXDB)	Long Wheelbase	Diesel	FWD	1997	120	163	07.10-06.14	■	
2.0 TDCi	Performance brakes	Diesel	RWD	1997	132	180	07.14-	■	
2.0 TDCi ST (T8DA)	Long Wheelbase, Performance brakes	Diesel	FWD	1997	136	185	11.14-12.17	■	
FOCUS III (C346) 07.10-						Saloon (Compact car-C Segment)			
1.5 EcoBoost (M8DA)	Long Wheelbase, Red Caliper	Gasolina	FWD	1498	110	150	11.14-02.20	■	
1.5 EcoBoost (M8DB)	Long Wheelbase, Red Caliper	Gasolina	FWD	1498	110	150	11.14-02.20	■	
1.5 EcoBoost (M9DA)	Long Wheelbase, Red Caliper	Gasolina	FWD	1498	134	182	11.14-02.20	■	
1.5 EcoBoost (M9DB)	Long Wheelbase, Red Caliper	Gasolina	FWD	1498	134	182	11.14-02.20	■	
1.5 EcoBoost (M9DA)	Red Caliper	Gasolina	FWD	1499	132	179	05.15-02.20	■	
1.5 EcoBoost (M9DB)	Red Caliper	Gasolina	FWD	1499	132	179	05.15-02.20	■	
1.6 Ti (XTDA)	Red Caliper	Gasolina	FWD	1596	63	85	08.11-02.20	■	
1.6 Ti (XTDB)	Red Caliper	Gasolina	FWD	1596	63	85	08.11-02.20	■	
1.6 Flex	Long Wheelbase	Gasolina	FWD	1596	99	135	01.14-	■	
2.0 (XQDA)	Long Wheelbase	Gasolina	FWD	1999	110	150	10.13-02.20	■	
2.0	Long Wheelbase	Gasolina	FWD	1999	119	162	08.11-02.20	■	
2.0 Flex	Long Wheelbase	Gasolina	FWD	1999	119	162	09.12-	■	
2.0 GDI (MGDA)	Long Wheelbase	Gasolina	FWD	1999	125	170	08.11-02.20	■	
1.5 TDCi (XXDA)	Long Wheelbase, Performance brakes	Diesel	FWD	1499	70	95	11.14-02.20	■	
1.5 TDCi (XXDC)	Long Wheelbase, Performance brakes	Diesel	FWD	1499	70	95	11.14-02.20	■	
1.5 TDCi (XXDD)	Long Wheelbase, Performance brakes	Diesel	FWD	1499	70	95	11.14-02.20	■	
1.5 TDCi ECOnetic (AEDA)	Long Wheelbase, Performance brakes	Diesel	FWD	1499	77	105	11.14-02.20	■	

LISTA DE APLICACIONES - BUYERS GUIDE

1.5 TDCi ECONetic (XXDB)	Long Wheelbase, Performance brakes	Diesel	FWD	1499	77	105	11.14-02.20	■	
1.5 TDCi (XWDA)	Long Wheelbase, Performance brakes	Diesel	FWD	1499	88	120	11.14-02.20	■	
1.5 TDCi (XWDB)	Long Wheelbase, Performance brakes	Diesel	FWD	1499	88	120	11.14-02.20	■	
1.5 TDCi (XWDC)	Long Wheelbase, Performance brakes	Diesel	FWD	1499	88	120	11.14-02.20	■	
1.5 TDCi (XWDD)	Long Wheelbase, Performance brakes	Diesel	FWD	1499	88	120	11.14-02.20	■	
1.5 TDCi (XWDE)	Long Wheelbase, Performance brakes	Diesel	FWD	1499	88	120	11.14-02.20	■	
2.0 TDCi (TYDA)	Long Wheelbase	Diesel	FWD	1997	85	115	07.10-06.14	■	
2.0 TDCi (UKDB)	Long Wheelbase	Diesel	FWD	1997	100	136	07.10-06.14	■	
2.0 TDCi (UFDB)	Long Wheelbase, Performance brakes	Diesel	FWD	1997	103	140	07.10-06.14	■	
2.0 TDCi (T7DA)	Long Wheelbase, Performance brakes	Diesel	FWD	1997	110	150	11.14-02.20	■	
2.0 TDCi (T7DB)	Long Wheelbase, Performance brakes	Diesel	FWD	1997	110	150	11.14-02.20	■	
2.0 TDCi (TXDB)	Long Wheelbase, Performance brakes	Diesel	FWD	1997	120	163	07.10-06.14	■	
2.0 TDCi	Performance brakes	Diesel	RWD	1997	132	180	07.14-	■	
FOCUS III Turnier (C346) 07.10-						Estate (Compact car-C Segment)			
1.5 EcoBoost (M8DA)	Long Wheelbase	Gasolina	FWD	1498	110	150	09.14-02.20	■	
1.5 EcoBoost (M8DB)	Long Wheelbase	Gasolina	FWD	1498	110	150	09.14-02.20	■	
1.5 EcoBoost (M9DA)	Long Wheelbase, Red Caliper	Gasolina	FWD	1498	134	182	09.14-02.20	■	
1.5 EcoBoost (M9DB)	Long Wheelbase, Red Caliper	Gasolina	FWD	1498	134	182	09.14-02.20	■	
1.6 Ti (XTDA)	Red Caliper	Gasolina	FWD	1596	63	85	08.11-02.20	■	
1.6 Ti (XTDB)	Red Caliper	Gasolina	FWD	1596	63	85	08.11-02.20	■	
2.0 (XQDA)	Long Wheelbase	Gasolina	FWD	1999	110	150	10.13-02.20	■	
2.0 Ti-GDi (MGDA)	Long Wheelbase	Gasolina	FWD	1999	125	170	07.10-02.20	■	
2.0 ST (R9DA)	Long Wheelbase, Performance brakes	Gasolina	FWD	1999	184	250	07.12-02.20	■	
2.0 ST (R9DB)	Long Wheelbase, Performance brakes	Gasolina	FWD	1999	184	250	07.12-02.20	■	
2.0 ST (R9DC)	Long Wheelbase, Performance brakes	Gasolina	FWD	1999	184	250	07.12-02.20	■	
2.0 ST (R9DD)	Long Wheelbase, Performance brakes	Gasolina	FWD	1999	184	250	07.12-02.20	■	
1.5 TDCi (XXDA)	Long Wheelbase, Performance brakes	Diesel	FWD	1499	70	95	09.14-02.20	■	
1.5 TDCi (XXDC)	Long Wheelbase, Performance brakes	Diesel	FWD	1499	70	95	09.14-02.20	■	
1.5 TDCi ECONetic (XXDB)	Long Wheelbase, Performance brakes	Diesel	FWD	1499	77	105	09.14-02.20	■	
1.5 TDCi ECONetic	Performance brakes	Diesel	FWD	1499	77	105	09.15-	■	
1.5 TDCi (XWDA)	Long Wheelbase, Performance brakes	Diesel	FWD	1499	88	120	09.14-02.20	■	
1.5 TDCi (XWDB)	Long Wheelbase, Performance brakes	Diesel	FWD	1499	88	120	09.14-02.20	■	
1.5 TDCi (XWDC)	Long Wheelbase, Performance brakes	Diesel	FWD	1499	88	120	09.14-02.20	■	
1.5 TDCi (XWDD)	Long Wheelbase, Performance brakes	Diesel	FWD	1499	88	120	09.14-02.20	■	
1.5 TDCi (XWDE)	Long Wheelbase, Performance brakes	Diesel	FWD	1499	88	120	09.14-02.20	■	
2.0 TDCi (TYDA)	Long Wheelbase	Diesel	FWD	1997	85	115	07.10-06.14	■	
2.0 TDCi (UKDB)	Long Wheelbase	Diesel	FWD	1997	100	136	07.10-06.14	■	
2.0 TDCi (UFDB)	Long Wheelbase, Performance brakes	Diesel	FWD	1997	103	140	07.10-06.14	■	
2.0 TDCi (T7DA)	Long Wheelbase, Performance brakes	Diesel	FWD	1997	110	150	11.14-02.20	■	
2.0 TDCi (T7DB)	Long Wheelbase, Performance brakes	Diesel	FWD	1997	110	150	11.14-02.20	■	

LISTA DE APLICACIONES - BUYERS GUIDE

2.0 TDCi (TXDB)	Long Wheelbase, Performance brakes	Diesel	FWD	1997	120	163	07.10-06.14	■	
2.0 TDCi ST (T8DA)	Long Wheelbase, Performance brakes	Diesel	FWD	1997	136	185	11.14-02.20	■	
KA+ III (UK, FK) 08.14-							Hatchback (Supermini car-B Segment)		
1.0 Flex		Gasolina	FWD	997	63	86	08.14-	■	
1.2 Ti-VCT		Gasolina	FWD	1196	65	88	09.15-	■	
1.5 Flex		Gasolina	FWD	1499	81	110	08.14-	■	
1.5 (UEJB)		Gasolina	FWD	1499	82	112	09.15-01.18	■	
KA+ III (TK, FK) 08.14-							Saloon (Supermini car-B Segment)		
1.0 Flex		Gasolina	FWD	997	63	86	08.14-	■	
1.2		Gasolina	FWD	1196	65	88	09.15-01.18	■	
1.5 Flex		Gasolina	FWD	1499	81	110	08.14-	■	
1.5 (UEJB)		Gasolina	FWD	1499	82	112	09.15-01.18	■	
KUGA II / ESCAPE III 05.12-							SUV Van (Compact SUV-J Segment)		
1.5 EcoBoost 4x4		Gasolina	4WD	1499	129	176	06.19-12.19	■	
1.5 EcoBoost 4x4 (M9MA)	Japan, New Zealand, Sudafrica	Gasolina	4WD	1499	134	182	09.14-12.19	■	
1.5 TDCi (XWMB)	Japan, New Zealand, Sudafrica	Diesel	FWD	1499	88	120	01.19-12.19	■	
1.5 TDCi (XWMC)	Japan, New Zealand, Sudafrica	Diesel	FWD	1499	88	120	01.19-12.19	■	
2.0 TDCi (XRMA)	Japan, New Zealand, Sudafrica	Diesel	FWD	1997	88	120	09.14-12.19	■	
2.0 TDCi (XRMB)	Japan, New Zealand, Sudafrica	Diesel	FWD	1997	88	120	09.14-12.19	■	
2.0 TDCi		Diesel	FWD	1997	103	140	06.12-12.19	■	
2.0 TDCi (T7MA)	Japan, New Zealand, Sudafrica	Diesel	FWD	1997	110	150	09.14-12.19	■	
2.0 TDCi (T7MB)	Japan, New Zealand, Sudafrica	Diesel	FWD	1997	110	150	09.14-12.19	■	
2.0 TDCi 4x4 (T7MA)	Japan, New Zealand, Sudafrica	Diesel	4WD	1997	110	150	09.14-12.19	■	
2.0 TDCi 4x4 (T7MB)	Japan, New Zealand, Sudafrica	Diesel	4WD	1997	110	150	09.14-12.19	■	
2.0 TDCi 4x4 (T8MA)	Japan, New Zealand, Sudafrica	Diesel	4WD	1998	132	180	09.14-12.19	■	
2.0 TDCi 4x4 (T8MB)	Japan, New Zealand, Sudafrica	Diesel	4WD	1998	132	180	09.14-12.19	■	
KUGA II / ESCAPE III (DM2) 05.12-							SUV (Compact SUV-J Segment)		
1.5 EcoBoost 4x4 (M8MA)		Gasolina	4WD	1499	110	150	07.16-12.19	■	
1.5 EcoBoost 4x4	Japan, New Zealand, Sudafrica	Gasolina	4WD	1499	129	176	08.18-06.19	■	
1.5 EcoBoost	Japan, New Zealand, Sudafrica	Gasolina	FWD	1499	132	180	10.15-	■	
1.5 EcoBoost 4x4	Japan, New Zealand, Sudafrica	Gasolina	4WD	1499	132	180	10.15-12.19	■	
1.5 EcoBoost 4x4 (M9MA)		Gasolina	4WD	1499	134	182	09.14-06.18	■	
1.6 EcoBoost 4x4 (JQMA)		Gasolina	4WD	1596	110	150	03.13-09.14	■	
1.6 EcoBoost 4x4 (JQMB)		Gasolina	4WD	1596	110	150	03.13-09.14	■	
1.6 EcoBoost 4x4 (JTMA)	Japan, New Zealand, Sudafrica	Gasolina	4WD	1596	132	179	10.12-12.19	■	
1.6 EcoBoost 4x4 (JTMA)	Long Wheelbase	Gasolina	4WD	1596	134	182	03.13-09.14	■	
1.6		Gasolina	FWD	1601	133	181	03.13-	■	
2.0 EcoBoost 4x4		Gasolina	4WD	1999	169	230	03.19-12.19	■	
2.0 4x4	Japan, New Zealand, Sudafrica	Gasolina	4WD	1999	177	240	05.13-05.17	■	
2.0 EcoBoost 4x4 (R9MA)	Japan, New Zealand, Sudafrica	Gasolina	4WD	1999	178	242	08.17-06.18	■	
2.0 4x4	Japan, New Zealand, Sudafrica, Filipinas	Gasolina	4WD	1999	179	243	03.13-06.16	■	
2.0 4x4	Japan, New Zealand, Sudafrica	Gasolina	4WD	1999	180	245	08.17-	■	
1.5 TDCi (XWMB)	Japan, New Zealand, Sudafrica	Diesel	FWD	1499	88	120	07.16-06.19	■	
1.5 TDCi (XWMC)	Japan, New Zealand, Sudafrica	Diesel	FWD	1499	88	120	07.16-06.19	■	
2.0 TDCi (TYMA)	Japan, New Zealand, Sudafrica	Diesel	FWD	1997	85	115	03.13-12.19	■	
2.0 TDCi (XRMA)	Japan, New Zealand, Sudafrica	Diesel	FWD	1997	88	120	09.14-06.19	■	
2.0 TDCi (XRMB)	Japan, New Zealand, Sudafrica	Diesel	FWD	1997	88	120	09.14-06.19	■	
2.0 TDCi (UKMA)	Japan, New Zealand, Sudafrica	Diesel	FWD	1997	100	136	03.13-12.19	■	

LISTA DE APLICACIONES - BUYERS GUIDE

2.0 TDCi 4x4 (UKMA)		Diesel	4WD	1997	100	136	03.13-12.19	■	
2.0 TDCi (UFMA)	Long Wheelbase, Japan, New Zealand, Sudafrica	Diesel	FWD	1997	103	140	03.13-09.14	■	
2.0 TDCi 4x4 (UFMA)	Long Wheelbase, Japan, New Zealand, Sudafrica	Diesel	4WD	1997	103	140	03.13-09.14	■	
2.0 TDCi (T7MA)	Japan, New Zealand, Sudafrica	Diesel	FWD	1997	110	150	09.14-06.19	■	
2.0 TDCi (T7MB)	Japan, New Zealand, Sudafrica	Diesel	FWD	1997	110	150	09.14-06.19	■	
2.0 TDCi (T7MC)	Japan, New Zealand, Sudafrica	Diesel	FWD	1997	110	150	09.14-06.19	■	
2.0 TDCi (T7MD)	Japan, New Zealand, Sudafrica	Diesel	FWD	1997	110	150	09.14-06.19	■	
2.0 TDCi 4x4 (T7MA)	Japan, New Zealand, Sudafrica	Diesel	4WD	1997	110	150	09.14-06.19	■	
2.0 TDCi 4x4 (T7MB)	Japan, New Zealand, Sudafrica	Diesel	4WD	1997	110	150	09.14-06.19	■	
2.0 TDCi 4x4 (TXDA)	Long Wheelbase, Japan, New Zealand, Sudafrica	Diesel	4WD	1997	120	163	03.13-09.14	■	
2.0 TDCi 4x4 (TXMA)	Long Wheelbase, Japan, New Zealand, Sudafrica	Diesel	4WD	1997	120	163	03.13-09.14	■	
2.0 TDCi 4x4 (T8MA)	Japan, New Zealand, Sudafrica	Diesel	4WD	1997	132	180	09.14-06.19	■	
2.0 TDCi 4x4 (T8MB)	Japan, New Zealand, Sudafrica	Diesel	4WD	1997	132	180	09.14-06.19	■	
TOURNEO CONNECT II / GRAND TOURNEO CONNECT V408 09.13-					MPV (Large MPV-M1 Segment)				
1.0 EcoBoost (B3GA)	Long Wheelbase, increased payload	Gasolina	FWD	998	74	100	11.13-12.22	■	
1.0 EcoBoost (M2GA)	Long Wheelbase, increased payload	Gasolina	FWD	998	74	100	11.13-12.22	■	
1.0 EcoBoost (M2GB)	Long Wheelbase, increased payload	Gasolina	FWD	998	74	100	11.13-12.22	■	
1.6 EcoBoost (JQGA)	Long Wheelbase, increased payload	Gasolina	FWD	1596	110	150	11.13-12.22	■	
1.5 EcoBlue (BEGA)	increased payload	Diesel	FWD	1499	55	75	05.18-12.22	■	
1.5 TDCi (XUGA)	Long Wheelbase, increased payload	Diesel	FWD	1499	55	75	05.15-12.22	■	
1.5 TDCi		Diesel	FWD	1499	70	95	08.16-12.22	■	
1.5 EcoBlue (Z2GA)	increased payload	Diesel	FWD	1499	74	101	05.18-12.22	■	
1.5 TDCi (XVGA)	Long Wheelbase, increased payload	Diesel	FWD	1499	74	101	05.15-12.22	■	
1.5 TDCi (XVGB)	Long Wheelbase, increased payload	Diesel	FWD	1499	74	101	05.15-12.22	■	
1.5 TDCi (XVGC)	Long Wheelbase, increased payload	Diesel	FWD	1499	74	101	05.15-12.22	■	
1.5 TDCi (XXGA)	Long Wheelbase, increased payload	Diesel	FWD	1499	74	101	05.15-12.22	■	
1.5 EcoBlue (ZTGA)	increased payload	Diesel	FWD	1499	88	120	05.18-12.22	■	
1.5 TDCi (XWGA)	Long Wheelbase, increased payload	Diesel	FWD	1499	88	120	05.15-12.22	■	
1.5 TDCi (XWGB)	Long Wheelbase, increased payload	Diesel	FWD	1499	88	120	05.15-12.22	■	
1.5 TDCi (XWGC)	Long Wheelbase, increased payload	Diesel	FWD	1499	88	120	05.15-12.22	■	
1.6 TDCi (UBGA)	Long Wheelbase, increased payload	Diesel	FWD	1560	55	75	09.13-12.22	■	
1.6 TDCi (TZGA)	Long Wheelbase, increased payload	Diesel	FWD	1560	70	95	09.13-12.22	■	
1.6 TDCi (TZGB)	Long Wheelbase, increased payload	Diesel	FWD	1560	70	95	09.13-12.22	■	
1.6 TDCi (T1GA)	Long Wheelbase, increased payload	Diesel	FWD	1560	85	115	09.13-12.22	■	
TRANSIT CONNECT II 09.13-					MPV (Large MPV-M1 Segment)				
1.6 EcoBoost	Long Wheelbase	Gasolina	FWD	1596	110	150	02.13-	■	
Wagon 1.6 EcoBoost	increased payload, not for taxis	Gasolina	FWD	1596	133	181	09.13-	■	
2.5 Duratec	Long Wheelbase, increased payload, not for taxis	Gasolina	FWD	2488	126	171	09.13-	■	
2.5 LPG	increased payload, not for taxis	Gasol./Gas (LPG)	FWD	2488	126	171	09.13-	■	
2.5 CNG	increased payload, not for taxis	Gasol./Gas (CNG)	FWD	2488	126	171	09.13-	■	

LISTA DE APLICACIONES - BUYERS GUIDE

1.5 EcoBlue (BEGA)	-02/19, increased payload, Short Wheelbase, 03/19-, Long Wheelbase	Diesel	FWD	1499	55	75	05.18-	■	
1.5 TDCi (XUGA)	Long Wheelbase, increased payload, Short Wheelbase, not for taxis	Diesel	FWD	1499	55	75	08.15-	■	
1.5 EcoBlue (Z2GA)	Long Wheelbase, increased payload, Short Wheelbase	Diesel	FWD	1499	74	101	05.18-	■	
1.5 TDCi (XVGA)	Long Wheelbase, increased payload, Short Wheelbase, not for taxis	Diesel	FWD	1499	74	101	05.15-	■	
1.5 TDCi (XVGB)	Long Wheelbase, increased payload, Short Wheelbase, not for taxis	Diesel	FWD	1499	74	101	05.15-	■	
1.5 TDCi (XVGC)	Long Wheelbase, increased payload, Short Wheelbase, not for taxis	Diesel	FWD	1499	74	101	05.15-	■	
1.5 TDCi (XXGA)	Long Wheelbase, increased payload, Short Wheelbase, not for taxis	Diesel	FWD	1499	74	101	05.15-	■	
1.5 EcoBlue (ZTGA)	Long Wheelbase, increased payload, Short Wheelbase	Diesel	FWD	1499	88	120	05.18-	■	
1.5 TDCi (XWGA)	Long Wheelbase, increased payload, Short Wheelbase, not for taxis	Diesel	FWD	1499	88	120	05.15-	■	
1.5 TDCi (XWGB)	Long Wheelbase, increased payload, Short Wheelbase, not for taxis	Diesel	FWD	1499	88	120	05.15-	■	
1.5 TDCi (XWGC)	Long Wheelbase, increased payload, Short Wheelbase, not for taxis	Diesel	FWD	1499	88	120	05.15-	■	
1.6 TDCi (UBGA)	Long Wheelbase, increased payload, Short Wheelbase, not for taxis	Diesel	FWD	1560	55	75	09.13-	■	
1.6 TDCi (TZGA)	Long Wheelbase, increased payload, Short Wheelbase, not for taxis	Diesel	FWD	1560	70	95	09.13-	■	
1.6 TDCi (TZGB)	Long Wheelbase, increased payload, Short Wheelbase, not for taxis	Diesel	FWD	1560	70	95	09.13-	■	
1.6 TDCi (T1GA)	Long Wheelbase, increased payload, Short Wheelbase, not for taxis	Diesel	FWD	1560	85	115	09.13-	■	
TRANSIT CONNECT II V408 09.13-					Box Body/MPV (LCVs-N1 Segment)				
1.0 EcoBoost (B3GA)	Long Wheelbase, increased payload, Short Wheelbase	Gasolina	FWD	998	74	100	09.13-	■	
1.0 EcoBoost (M2GA)	Long Wheelbase, increased payload, Short Wheelbase	Gasolina	FWD	998	74	100	09.13-	■	
1.0 EcoBoost (M2GB)	Long Wheelbase, increased payload, Short Wheelbase	Gasolina	FWD	998	74	100	09.13-	■	
1.6 EcoBoost (JQGA)	Long Wheelbase, increased payload, Short Wheelbase	Gasolina	FWD	1596	110	150	11.13-	■	
1.6 EcoBoost (JQGA)	increased payload	Gasolina	FWD	1596	133	181	09.13-	■	
2.5 Duratec	Long Wheelbase, increased payload	Gasolina	FWD	2488	126	171	09.13-	■	
2.5 LPG	increased payload	Gasol./Gas (LPG)	FWD	2488	126	171	09.13-12.23	■	
2.5 CNG	increased payload	Gasol./Gas (CNG)	FWD	2488	126	171	09.13-12.23	■	
1.0 Flexifuel		Gasol./Etanol	FWD	998	74	100	05.21-	■	
1.5 EcoBlue (BEGA)	Long Wheelbase, increased payload, Short Wheelbase	Diesel	FWD	1499	55	75	05.18-	■	
1.5 TDCi (XUGA)	Long Wheelbase, increased payload, Short Wheelbase	Diesel	FWD	1499	55	75	08.15-	■	
1.5 TDCi		Diesel	FWD	1499	70	95	03.16-	■	
1.5 EcoBlue (Z2GA)	Long Wheelbase, increased payload, Short Wheelbase	Diesel	FWD	1499	74	101	05.18-	■	
1.5 TDCi (XVGA)	Long Wheelbase, increased payload, Short Wheelbase	Diesel	FWD	1499	74	101	05.15-	■	

LISTA DE APLICACIONES - BUYERS GUIDE

1.5 TDCi (XVGB)	Long Wheelbase, increased payload, Short Wheelbase	Diesel	FWD	1499	74	101	05.15-	■
1.5 TDCi (XVGC)	Long Wheelbase, increased payload, Short Wheelbase	Diesel	FWD	1499	74	101	05.15-	■
1.5 TDCi (XXGA)	Long Wheelbase, increased payload, Short Wheelbase	Diesel	FWD	1499	74	101	05.15-	■
1.5 EcoBlue (ZTGA)	Long Wheelbase, increased payload, Short Wheelbase	Diesel	FWD	1499	88	120	05.18-	■
1.5 TDCi (XWGA)	Long Wheelbase, increased payload, Short Wheelbase	Diesel	FWD	1499	88	120	05.15-	■
1.5 TDCi (XWGB)	Long Wheelbase, increased payload, Short Wheelbase	Diesel	FWD	1499	88	120	05.15-	■
1.5 TDCi (XWGC)	Long Wheelbase, increased payload, Short Wheelbase	Diesel	FWD	1499	88	120	05.15-	■
1.6 TDCi (UBGA)	Long Wheelbase, increased payload, Short Wheelbase	Diesel	FWD	1560	55	75	09.13-	■
1.6 TDCi (TZGA)	Long Wheelbase, increased payload, Short Wheelbase	Diesel	FWD	1560	70	95	09.13-	■
1.6 TDCi (TZGB)	Long Wheelbase, increased payload, Short Wheelbase	Diesel	FWD	1560	70	95	09.13-	■
1.6 TDCi (T1GA)	Long Wheelbase, increased payload, Short Wheelbase	Diesel	FWD	1560	85	115	09.13-	■
FORD (CHANGAN)								
KUGA 01.13-				SUV (Compact SUV-J Segment)				
1.5 GTDi AWD		Gasolina	4WD	1499	133	181	01.15-	■
1.6 GTDi		Gasolina	FWD	1596	130	177	01.13-	■
2.0 GTDi		Gasolina	FWD	1998	178	242	01.13-	■
2.0 AWD (CAF488WQ9)		Gasolina	4WD	1999	180	245	09.16-	■
FORD AUSTRALIA								
ESCAPE III (ZG) 09.16-				SUV (Compact SUV-J Segment)				
1.5 EcoBoost AWD (M9MA)		Gasolina	4WD	1499	134	182	09.16-03.20	■
2.0 AWD (TPWA)		Gasolina	4WD	1999	178	242	09.16-03.20	■
2.0 TDCi AWD (T8MA,T8MB)		Diesel	4WD	1998	132	180	09.16-03.20	■
FOCUS (LW) 08.11-				Hatchback (Compact car-C Segment)				
2.0		Gasolina	FWD	1998	184	250	08.12-	■
2.0 ST (R9DA)	Performance brakes	Gasolina	FWD	1999	184	250	05.15-	■
KUGA (TE) 01.11-11.14				Hatchback (Compact SUV-J Segment)				
2.0 D		Diesel	RWD	1998	120	163	04.13-	■
KUGA II (TF) 04.13-08.16				Hatchback (Compact SUV-J Segment)				
2.0 TDCi		Diesel	RWD	1998	132	180	11.14-	■
TRANSIT (VO) 09.14-				Platform/Chassis (LCVs-N1 Segment)				
2.2 TDCi		Diesel	RWD	2198	114	155	09.14-	■
TRANSIT (VO) 09.14-				Van (LCVs-N1 Segment)				
2.2 TDCi		Diesel	RWD	2198	114	155	09.14-	■
LINCOLN								
MKC 03.14-				SUV (Compact SUV-J Segment)				
2.0		Gasolina	FWD	1999	149	203	10.14-	■
2.0 AWD		Gasolina	4WD	1999	149	203	10.14-	■
2.0		Gasolina	FWD	1999	179	243	03.14-	■
2.0 AWD		Gasolina	4WD	1999	179	243	03.14-	■
2.0		Gasolina	FWD	1999	183	248	06.16-	■
2.0 AWD		Gasolina	4WD	1999	183	248	10.14-	■
2.0		Gasolina	FWD	1999	186	253	10.14-	■

LISTA DE APLICACIONES - BUYERS GUIDE

2.0 AWD		Gasolina	4WD	1999	186	253	10.14-	■
2.3 AWD		Gasolina	4WD	2261	210	286	11.16-	■
2.3 (C23HD0D)		Gasolina	FWD	2261	213	290	03.14-	■
2.3 AWD		Gasolina	4WD	2261	213	290	03.14-	■