

LISTA DE APLICACIONES - BUYERS GUIDE

182137

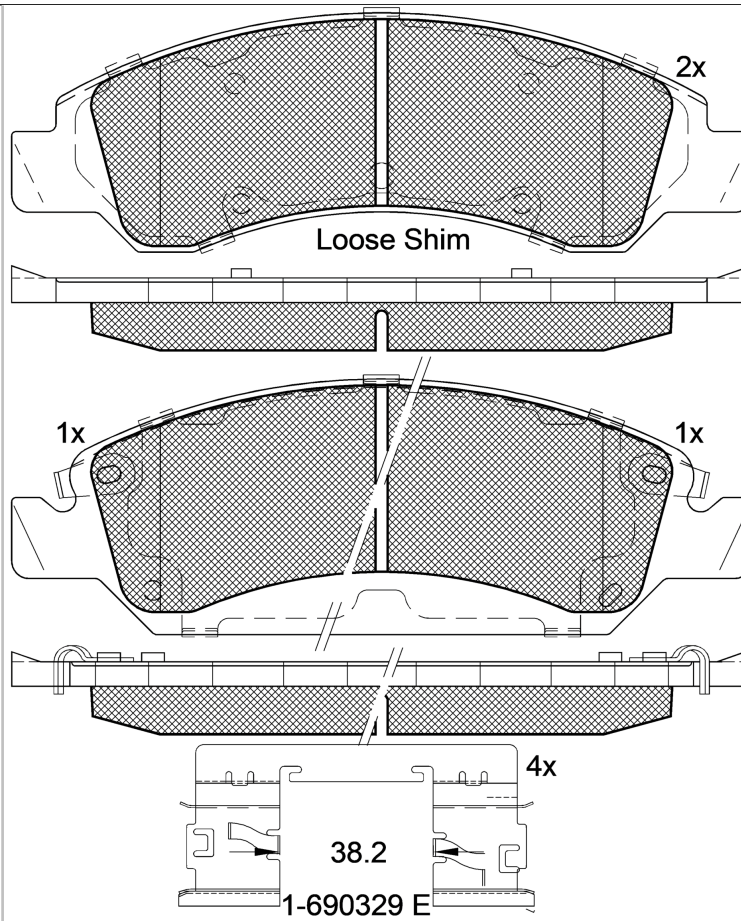


8 424073 107879

Qty: 300

Weight: 2.445

O.E.M.	MAKE
2348 7649	CHEVROLET
2591 0431	CADILLAC
2591 0432	CADILLAC
2591 8341	CHEVROLET
2591 8342	CADILLAC
8421 8394	CHEVROLET



182137



Akebono

184.1x59.5x18.6
184.1x63.6x18.6

FMSI
D1363-8472
MAKE
CADILLAC
CHEVROLET
GMC



Trac.	CC	Kw	CV
-------	----	----	----



Front / Rear

CADILLAC

ESCALADE III 09.06-						Pickup (Luxury Crossover SUV-J Segment)			
6.2 Flex	-12/11	Gasol./Et anol	RWD	6162	301	409	01.10-	■	
6.2 Flex AWD	-12/11	Gasol./Et anol	4WD	6162	301	409	01.10-	■	
ESCALADE III 10.06-12.15						SUV (Luxury Crossover SUV-J Segment)			
6.2 AWD (L92)	01/08-, -12/11	Gasolina	4WD	6162	296	403	10.06-12.14	■	
6.2 (L92)	01/08-, -12/11	Gasolina	RWD	6162	301	409	10.06-12.14	■	
6.2 (L94)	01/08-, -12/11	Gasolina	RWD	6162	301	409	10.06-12.14	■	
6.2 AWD (L92)	01/08-, -12/11	Gasolina	4WD	6162	301	409	10.06-12.14	■	
6.2 AWD (L94)	01/08-, -12/11	Gasolina	4WD	6162	301	409	10.06-12.14	■	
6.2 AWD (L9H)	01/08-, -12/11	Gasolina	4WD	6162	301	409	10.06-12.14	■	
6.0 HYBRID (LZ1)		Gasol./et anol/eléc	RWD	5967	283	385	09.10-12.13	■	
6.0 HYBRID AWD (LZ1)		Gasol./et anol/eléc	4WD	5967	283	385	09.10-12.13	■	
6.2 FLEXFUEL (L92)	01/08-, -12/11	Gasol./Et anol	RWD	6162	301	409	10.06-12.14	■	
6.2 FLEXFUEL (L94)	01/08-, -12/11	Gasol./Et anol	RWD	6162	301	409	10.06-12.14	■	
6.2 FLEXFUEL AWD (L92)	01/08-, -12/11	Gasol./Et anol	4WD	6162	301	409	10.06-12.14	■	
6.2 FLEXFUEL AWD (L94)	01/08-, -12/11	Gasol./Et anol	4WD	6162	301	409	10.06-12.14	■	
6.0 HYBRID (LZ1)	-12/11	Gasol./el éc.	RWD	5967	283	385	11.10-12.13	■	
6.0 HYBRID AWD (LZ1)	-12/11	Gasol./el éc.	4WD	5967	283	385	11.10-12.13	■	

LISTA DE APLICACIONES - BUYERS GUIDE

ESCALADE IV 09.14-					SUV (Luxury Crossover SUV-J Segment)			
6.2 AWD (L86)		Gasolina	4WD	6162	313	426	09.14-12.20	■
CHEVROLET								
AVALANCHE II 06.05-12.13					Pickup (Luxury Crossover SUV-J Segment)			
5.3 (LY5(325CUV8))	01/09-, -12/11	Gasolina	RWD	5328	235	320	01.07-12.13	■
5.3 AWD (LY5(325CUV8))	01/09-, -12/11	Gasolina	4WD	5328	235	320	05.06-12.13	■
5.3 Flex-Fuel AWD	01/09-, -12/11	Gasol./Etanol	4WD	5328	231	314	01.07-12.13	■
5.3 Flex-Fuel (LY5(325CUV8))		Gasol./Etanol	RWD	5328	235	320	06.05-07.07	■
5.3 Flex-Fuel AWD (LC9(325CUV8))	01/09-, -12/11	Gasol./Etanol	4WD	5328	235	320	06.05-12.13	■
5.3 Flex-Fuel AWD (LMG)	01/09-, -12/11	Gasol./Etanol	4WD	5328	235	320	06.05-12.13	■
EXPRESS II 01.03-					Bus (Minibus-M2-Segment)			
5.3 2500 (LM7)	01/09-, -12/11	Gasolina	RWD	5328	228	310	01.03-	■
5.3 Flex-Fuel	01/09-, -12/11	Gasolina	FWD	5328	231	314	01.07-	■
6.0 2500 (LY6)	01/09-, -12/11	Gasolina	RWD	5967	237	322	01.03-	■
5.3 Flex-Fuel (L59)	01/09-, -12/11	Gasol./Etanol	RWD	5328	216	294	01.07-	■
EXPRESS II 01.03-					Van (LCVs-N1 Segment)			
4.3 (LU3)	01/09-, -12/11	Gasolina	RWD	4300	143	194	01.03-	■
4.3 Flex-Fuel	01/09-, -12/11	Gasolina	FWD	4300	145	197	01.03-	■
5.3 2500 Flex-Fuel	01/09-, -12/11	Gasolina	FWD	5328	216	294	10.06-	■
5.3 1500 (LM7)	01/09-, -12/11	Gasolina	RWD	5328	228	310	01.03-	■
6.0 2500 (LY6)	01/09-, -12/11	Gasolina	RWD	5967	237	322	01.03-	■
6.0 Flex-Fuel (G45) (L96)		Gasol./Etanol	RWD	5967	241	328	01.10-12.10	■
SILVERADO 1500 09.97-12.07					Pickup (Pick-Up Truck)			
4.3 4WD (LU3)		Gasolina	4WD	4300	145	197	09.04-12.07	■
4.3 AWD (LU3)		Gasolina	4WD	4300	147	200	10.99-12.07	■
4.3		Gasolina	FWD	4300	149	203	09.98-12.04	■
4.3		Gasolina	FWD	4300	149	203	09.03-12.04	■
4.3		Gasolina	FWD	4300	149	203	09.98-12.04	■
4.8 AWD (LY2)	POC JF3,JF7,JD9	Gasolina	4WD	4811	202	275	06.05-12.07	■
5.3 AWD (LM7)	POC JF7	Gasolina	4WD	5328	201	273	10.99-12.07	■
5.3 AWD (LM7)	POC JF7	Gasolina	4WD	5328	212	288	06.03-12.07	■
SILVERADO 1500 II 09.06-					Pickup (Pick-Up Truck)			
4.3 (LU3)	POC JF3,JF7,JD9	Gasolina	RWD	4300	145	197	01.12-	■
4.3	01/08-, -12/11	Gasolina	FWD	4300	145	197	09.06-	■
4.3 (LU3)	POC JF3,JF7,JD9	Gasolina	RWD	4300	145	197	09.07-12.13	■
4.3 (LU3)	POC JF3,JF7,JD9	Gasolina	RWD	4300	145	197	09.07-12.13	■
4.3 (LU3)	POC JF3,JF7,JD9	Gasolina	RWD	4300	145	197	09.07-12.13	■
4.3 4WD (LU3)		Gasolina	4WD	4300	145	197	09.07-12.13	■
4.3 4WD (LU3)		Gasolina	4WD	4300	145	197	09.07-12.13	■
4.3 4WD (LU3)		Gasolina	4WD	4300	145	197	09.07-12.13	■
4.3 AWD (LU3)	POC JF3,JF7,JD9	Gasolina	4WD	4300	145	197	09.06-	■
4.8 FlexFuel	01/08-, -12/11	Gasolina	FWD	4806	217	295	09.06-	■
4.8 FlexFuel	01/08-, -12/11	Gasolina	FWD	4807	220	302	09.06-	■
4.8 (LY2)	POC JF3,JF7,JD9	Gasolina	RWD	4811	220	299	09.07-12.09	■
5.3 AWD (LH6(325CUV8))	01/08-, -12/11, POC JF3,JF7,JD9	Gasolina	4WD	5328	232	316	01.07-	■

LISTA DE APLICACIONES - BUYERS GUIDE

5.3 FlexFuel AWD (LMG)	01/08-, -12/11	Gasol./Etanol	4WD	5328	232	316	01.07-	■	
5.3 FLEX 4WD (LC9(325CUV8))	POC JF3,JF7,JD9	Gasol./Etanol	4WD	5328	235	320	09.06-12.09	■	
5.3 FLEX 4WD (LMG)	POC JF3,JF7,JD9	Gasol./Etanol	4WD	5328	235	320	09.06-12.09	■	
SILVERADO 2500 II 09.06-					Pickup (Pick-Up Truck)				
5.3 Hybrid (LM7)		Gasol./eléc.	RWD	5328	220	299	09.07-09.09	■	
5.3 Hybrid 4WD (LM7)		Gasol./eléc.	4WD	5328	220	299	09.07-09.09	■	
SUBURBAN XI (GMT 900) 01.05-					SUV (Pick-Up Truck)				
5.3	01/10-, -12/10	Gasolina	FWD	5327	239	325	07.06-	■	
5.3 (LMG)	for police vehicles	Gasolina	RWD	5328	239	325	09.11-07.14	■	
5.3 (LY5(325CUV8))	for police vehicles	Gasolina	RWD	5328	239	325	09.11-07.14	■	
5.3	01/10-, -12/10	Gasolina	FWD	5328	259	352	07.09-	■	
6.0	01/10-, -12/10	Gasolina	FWD	5964	263	358	07.06-	■	
6.0	01/10-, -12/10	Gasolina	FWD	5964	263	358	07.06-	■	
6.0	01/10-, -12/10	Gasolina	FWD	5964	273	371	07.06-	■	
5.3 Flex-Fuel 4WD (LMG)		Gasol./Etanol	4WD	5328	228	310	01.07-	■	
5.3 Flex AWD (LC9(325CUV8))		Gasol./Etanol	4WD	5328	239	325	01.12-	■	
5.3 Flex AWD (LMG)		Gasol./Etanol	4WD	5328	239	325	01.12-	■	
SUBURBAN XI 1500 SUV 09.06-12.14					SUV (Pick-Up Truck)				
5.3 (LC9(325CUV8))	for police vehicles	Gasolina	RWD	5328	239	325	09.06-12.13	■	
5.3 (LY5(325CUV8))	for police vehicles	Gasolina	RWD	5328	239	325	09.06-12.13	■	
5.3 Flexfuel 4WD (LMG)		Gasol./Etanol	4WD	5328	239	325	09.06-12.09	■	
5.3 Flexfuel (LC9(325CUV8))	for police vehicles	Gasol./Etanol	RWD	5328	243	330	09.09-12.14	■	
5.3 Flexfuel (LMG)	for police vehicles	Gasol./Etanol	RWD	5328	243	330	09.09-12.14	■	
5.3 Flexfuel 4WD (LC9(325CUV8))		Gasol./Etanol	4WD	5328	243	330	09.09-12.14	■	
5.3 Flexfuel 4WD (LMG)		Gasol./Etanol	4WD	5328	243	330	09.09-12.14	■	
SUBURBAN XII (K2Y) 07.14-					SUV (Pick-Up Truck)				
5.3 (L83(325CUV8))		Gasolina	RWD	5328	265	360	07.14-12.20	■	
5.3 4WD (L83(325CUV8))		Gasolina	4WD	5328	265	360	07.14-	■	
5.3 Flexfuel		Gasolina	FWD	5328	265	360	07.14-	■	
TAHOE III (GMT900) 01.07-07.14					SUV (Luxury Crossover SUV-J Segment)				
5.3 Flexfuel		Gasolina	FWD	5328	231	314	09.08-12.09	■	
5.3 (LY5(325CUV8))	01/08-	Gasolina	RWD	5328	239	325	01.07-12.13	■	
5.3 4WD (LC9(325CUV8))	01/08-	Gasolina	4WD	5328	239	325	01.07-12.13	■	
5.3 4WD (LMG)	01/08-	Gasolina	4WD	5328	239	325	01.07-12.13	■	
5.3 4WD (LY5(325CUV8))	01/08-	Gasolina	4WD	5328	239	325	01.07-12.13	■	
5.3 Flexfuel		Gasolina	FWD	5328	243	330	09.09-07.14	■	
5.3 Flexfuel		Gasolina	FWD	5328	243	330	09.10-12.13	■	
6.0 Flex/Hybrid 4WD (LZ1)		Gasol./etanol/eléc.	4WD	5967	248	337	09.09-12.13	■	
5.3 Flexfuel 4WD		Gasol./Etanol	4WD	5328	231	314	09.08-12.09	■	
5.3 Flexfuel		Gasol./Etanol	RWD	5328	239	325	01.07-07.14	■	
5.3 Flexfuel 4WD (LC9(325CUV8))		Gasol./Etanol	4WD	5328	239	325	01.07-07.14	■	

LISTA DE APLICACIONES - BUYERS GUIDE

5.3 Flexfuel 4WD (LMG)		Gasol./Etanol	4WD	5328	239	325	01.07-07.14	■	
6.0 Hybrid 4WD (LFA)	POC JF7,JG4	Gasol./eléc.	4WD	5967	248	337	09.07-12.12	■	
TAHOE IV (K2UC) 07.14-					SUV (Luxury Crossover SUV-J Segment)				
6.2 4WD	for police vehicles	Gasolina	4WD	6162	301	409	10.15-	■	
6.2 4WD (L86)	for police vehicles	Gasolina	4WD	6162	313	426	01.18-	■	
GMC									
SIERRA 01.07-					Pickup (Pick-Up Truck)				
5.3 Hybrid	-12/11	Gasolina	FWD	5328	232	315	01.08-	■	
5.3 4x4		Gasolina	4WD	5328	235	320	01.08-12.09	■	
6.2		Gasolina	FWD	6162	298	405	01.08-12.09	■	
6.6 TDiC	01/08-, -12/11	Diesel	RWD	6599	230	313	01.07-	■	
6.6 TDiC	01/08-, -12/11	Diesel	RWD	6599	230	313	01.07-	■	
YUKON (GMT900) 09.06-07.14					SUV (Luxury Crossover SUV-J Segment)				
5.3	01/08-	Gasolina	FWD	5328	235	320	01.07-12.09	■	
6.2 AWD	01/08-, -12/11	Gasolina	4WD	6162	279	379	01.07-07.14	■	
6.2 4WD (L92)	-12/11	Gasolina	4WD	6162	301	409	09.10-07.14	■	