

# LISTA DE APLICACIONES - BUYERS GUIDE

## 182138

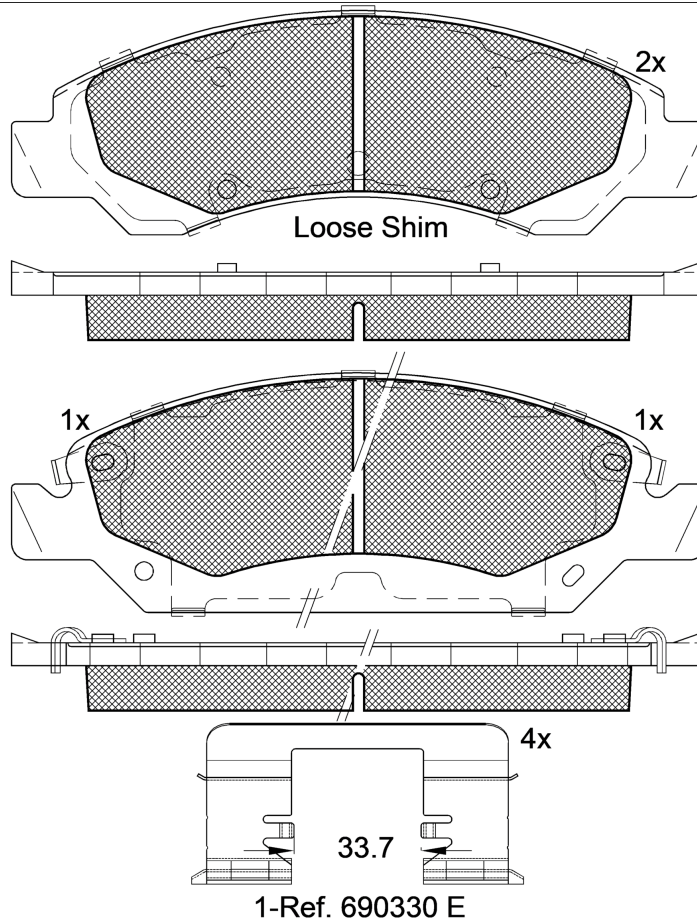


8 424073 107886

Qty: 300

Weight: 2.415

O.E.M.	MAKE
1925 7667	CADILLAC
2274 2382	CADILLAC
2313 5915	CHEVROLET
8421 8390	CHEVROLET
8432 0501	CHEVROLET



## 182138



Akebono

184.1x59.5x18.6
184.1x63.6x18.6

WVA	FMSI
22982	D1363-8803
22983	
22984	

MAKE
CADILLAC
CADILLAC (SGM)
CHEVROLET
GMC



Trac.	CC	Kw	CV
-------	----	----	----



Front / Rear

### CADILLAC

ESCALADE III 09.06-						Pickup (Luxury Crossover SUV-J Segment)		
6.2 Flex	01/12-	Gasol./Et anol	RWD	6162	301	409	01.10-	■
6.2 Flex AWD	01/12-	Gasol./Et anol	4WD	6162	301	409	01.10-	■
ESCALADE III 10.06-12.15						SUV (Luxury Crossover SUV-J Segment)		
6.2 AWD (L92)	01/12-	Gasolina	4WD	6162	296	403	10.06-12.14	■
6.2 (L92)	01/12-	Gasolina	RWD	6162	301	409	10.06-12.14	■
6.2 (L94)	01/12-	Gasolina	RWD	6162	301	409	10.06-12.14	■
6.2 AWD (L92)	01/12-	Gasolina	4WD	6162	301	409	10.06-12.14	■
6.2 AWD (L94)	01/12-	Gasolina	4WD	6162	301	409	10.06-12.14	■
6.2 AWD (L9H)	01/12-	Gasolina	4WD	6162	301	409	10.06-12.14	■
6.0 HYBRID (LZ1)		Gasol./et anol/eléc	RWD	5967	283	385	09.10-12.13	■
6.0 HYBRID AWD (LZ1)		Gasol./et anol/eléc	4WD	5967	283	385	09.10-12.13	■
6.2 FLEXFUEL (L92)	01/12-	Gasol./Et anol	RWD	6162	301	409	10.06-12.14	■
6.2 FLEXFUEL (L94)	01/12-	Gasol./Et anol	RWD	6162	301	409	10.06-12.14	■
6.2 FLEXFUEL AWD (L92)	01/12-	Gasol./Et anol	4WD	6162	301	409	10.06-12.14	■
6.2 FLEXFUEL AWD (L94)	01/12-	Gasol./Et anol	4WD	6162	301	409	10.06-12.14	■
6.0 HYBRID (LZ1)	01/12-	Gasol./el éc.	RWD	5967	283	385	11.10-12.13	■
6.0 HYBRID AWD (LZ1)	01/12-	Gasol./el éc.	4WD	5967	283	385	11.10-12.13	■

# LISTA DE APLICACIONES - BUYERS GUIDE

<b>ESCALADE IV 09.14-</b>					<b>SUV (Luxury Crossover SUV-J Segment)</b>			
6.2 AWD (L86)		Gasolina	4WD	6162	313	426	09.14-12.20	■
<b>XTS (1P5) 09.11-</b>					<b>Saloon (Luxury car-F Segment)</b>			
3.6 (LFX)	Eq.V_ XTS Heavy Duty	Gasolina	FWD	3564	227	309	09.11-	■
<b>CADILLAC (SGM)</b>								
<b>XTS (EG4) 03.13-</b>					<b>Saloon (Luxury car-F Segment)</b>			
2.0 T		Gasolina	FWD	1998	198	269	03.13-	■
3.6		Gasolina	FWD	3564	227	309	03.13-	■
<b>CHEVROLET</b>								
<b>AVALANCHE II 06.05-12.13</b>					<b>Pickup (Luxury Crossover SUV-J Segment)</b>			
5.3 (LY5(325CUV8))	01/12-	Gasolina	RWD	5328	235	320	01.07-12.13	■
5.3 AWD (LY5(325CUV8))	01/12-	Gasolina	4WD	5328	235	320	05.06-12.13	■
5.3 Flex-Fuel AWD	01/12-	Gasol./Etanol	4WD	5328	231	314	01.07-12.13	■
5.3 Flex-Fuel (LY5(325CUV8))		Gasol./Etanol	RWD	5328	235	320	06.05-07.07	■
5.3 Flex-Fuel AWD (LC9(325CUV8))	01/12-	Gasol./Etanol	4WD	5328	235	320	06.05-12.13	■
5.3 Flex-Fuel AWD (LMG)	01/12-	Gasol./Etanol	4WD	5328	235	320	06.05-12.13	■
<b>EXPRESS II 01.03-</b>					<b>Bus (Minibus-M2-Segment)</b>			
5.3 2500 (LM7)	01/12-	Gasolina	RWD	5328	228	310	01.03-	■
5.3 Flex-Fuel	01/12-	Gasolina	FWD	5328	231	314	01.07-	■
6.0 2500 (LY6)	01/12-	Gasolina	RWD	5967	237	322	01.03-	■
5.3 Flex-Fuel (L59)	01/12-	Gasol./Etanol	RWD	5328	216	294	01.07-	■
6.0 Flex-Fuel		Gasol./Etanol	RWD	5967	241	328	01.12-	■
<b>EXPRESS II 01.03-</b>					<b>Platform/Chassis (LCVs-N1 Segment)</b>			
4.8 Flex-Fuel		Gasolina	FWD	4807	194	264	01.12-	■
6.0 Flex-Fuel		Gasolina	FWD	5967	241	328	01.12-	■
<b>EXPRESS II 01.03-</b>					<b>Van (LCVs-N1 Segment)</b>			
4.3 (LU3)	01/12-	Gasolina	RWD	4300	143	194	01.03-	■
4.3 Flex-Fuel	01/12-	Gasolina	FWD	4300	145	197	01.03-	■
4.3 Flex-Fuel		Gasolina	FWD	4300	145	197	01.12-	■
5.3 2500 Flex-Fuel	01/12-	Gasolina	FWD	5328	216	294	10.06-	■
5.3 1500 (LM7)	01/12-	Gasolina	RWD	5328	228	310	01.03-	■
6.0 2500 (LY6)	01/12-	Gasolina	RWD	5967	237	322	01.03-	■
6.0 Flex-Fuel (G45) (L96)		Gasol./Etanol	RWD	5967	241	328	01.10-12.10	■
<b>MERIVA 02.02-07.12</b>					<b>MPV (Mini MPV-M1 Segment)</b>			
1.8	01/12-	Gasolina	FWD	1796	78	106	01.04-07.12	■
<b>SILVERADO 1500 09.97-12.07</b>					<b>Pickup (Pick-Up Truck)</b>			
4.3 4WD (LU3)		Gasolina	4WD	4300	145	197	09.04-12.07	■
4.3 AWD (LU3)		Gasolina	4WD	4300	147	200	10.99-12.07	■
4.3		Gasolina	FWD	4300	149	203	09.98-12.04	■
4.3		Gasolina	FWD	4300	149	203	09.03-12.04	■
4.3		Gasolina	FWD	4300	149	203	09.98-12.04	■
4.8 AWD (LY2)	POC JF3,JF7,FL4	Gasolina	4WD	4811	202	275	06.05-12.07	■
5.3 AWD (LM7)	POC JF7,JL4	Gasolina	4WD	5328	201	273	10.99-12.07	■
5.3 AWD (LM7)	POC JF7,JL4	Gasolina	4WD	5328	212	288	06.03-12.07	■

# LISTA DE APLICACIONES - BUYERS GUIDE

<b>SILVERADO 1500 II 09.06-</b>						<b>Pickup (Pick-Up Truck)</b>			
4.3 (LU3)	POC JF3,JF7,FL4	Gasolina	RWD	4300	145	197	01.12-	■	
4.3 (LU3)	POC JF3,JF7,FL4	Gasolina	RWD	4300	145	197	09.07-12.13	■	
4.3 (LU3)	POC JF3,JF7,FL4	Gasolina	RWD	4300	145	197	09.07-12.13	■	
4.3 (LU3)	POC JF3,JF7,FL4	Gasolina	RWD	4300	145	197	09.07-12.13	■	
4.3 4WD (LU3)		Gasolina	4WD	4300	145	197	09.07-12.13	■	
4.3 4WD (LU3)		Gasolina	4WD	4300	145	197	09.07-12.13	■	
4.3 4WD (LU3)		Gasolina	4WD	4300	145	197	09.07-12.13	■	
4.3 AWD (LU3)	POC JF3,JF7,FL4	Gasolina	4WD	4300	145	197	09.06-	■	
4.8 FlexFuel	01/12-	Gasolina	FWD	4806	217	295	09.06-	■	
4.8 FlexFuel	01/12-	Gasolina	FWD	4807	220	302	09.06-	■	
4.8 FlexFuel		Gasolina	FWD	4807	220	302	01.12-	■	
4.8 (LY2)	POC JF3,JF7,FL4	Gasolina	RWD	4811	220	299	09.07-12.09	■	
5.3 AWD (LH6(325CUV8))	01/12-, POC JF3,JF7,FL4	Gasolina	4WD	5328	232	316	01.07-	■	
5.3 FlexFuel AWD (LMG)	01/12-	Gasol./Etanol	4WD	5328	232	316	01.07-	■	
5.3 FLEX 4WD (LC9(325CUV8))	POC JF3,JF7,FL4	Gasol./Etanol	4WD	5328	235	320	09.06-12.09	■	
5.3 FLEX 4WD (LMG)	POC JF3,JF7,FL4	Gasol./Etanol	4WD	5328	235	320	09.06-12.09	■	
<b>SILVERADO 1500 III 09.13-</b>						<b>Pickup (Pick-Up Truck)</b>			
5.3 4WD (L83(325CUV8))		Gasolina	4WD	5328	265	360	07.14-	■	
5.3 4WD (L83(325CUV8))		Gasolina	4WD	5328	265	360	07.14-	■	
5.3 4WD (L83(325CUV8))		Gasolina	4WD	5328	265	360	07.14-12.19	■	
6.2 4WD (L86)		Gasolina	4WD	6162	313	426	09.13-	■	
6.2 4WD (L86)		Gasolina	4WD	6162	313	426	09.13-	■	
<b>SUBURBAN XI (GMT 900) 01.05-</b>						<b>SUV (Pick-Up Truck)</b>			
5.3	01/12-	Gasolina	FWD	5327	239	325	07.06-	■	
5.3 Flex		Gasolina	FWD	5327	239	325	01.12-	■	
5.3 (LMG)		Gasolina	RWD	5328	239	325	09.11-07.14	■	
5.3 (LY5(325CUV8))		Gasolina	RWD	5328	239	325	09.11-07.14	■	
5.3	01/12-	Gasolina	FWD	5328	259	352	07.09-	■	
6.0	01/12-	Gasolina	FWD	5964	263	358	07.06-	■	
6.0	01/12-	Gasolina	FWD	5964	263	358	07.06-	■	
6.0	01/12-	Gasolina	FWD	5964	273	371	07.06-	■	
5.3 Flex-Fuel 4WD (LMG)	01/12-, POC JH4	Gasol./Etanol	4WD	5328	228	310	01.07-	■	
5.3 Flex AWD (LC9(325CUV8))	POC JH4	Gasol./Etanol	4WD	5328	239	325	01.12-	■	
5.3 Flex AWD (LMG)	POC JH4	Gasol./Etanol	4WD	5328	239	325	01.12-	■	
<b>SUBURBAN XI 1500 SUV 09.06-12.14</b>						<b>SUV (Pick-Up Truck)</b>			
5.3 (LC9(325CUV8))		Gasolina	RWD	5328	239	325	09.06-12.13	■	
5.3 (LY5(325CUV8))		Gasolina	RWD	5328	239	325	09.06-12.13	■	
5.3 Flexfuel 4WD (LMG)	POC JH4	Gasol./Etanol	4WD	5328	239	325	09.06-12.09	■	
5.3 Flexfuel (LC9(325CUV8))		Gasol./Etanol	RWD	5328	243	330	09.09-12.14	■	
5.3 Flexfuel (LMG)		Gasol./Etanol	RWD	5328	243	330	09.09-12.14	■	
5.3 Flexfuel 4WD (LC9(325CUV8))	POC JH4	Gasol./Etanol	4WD	5328	243	330	09.09-12.14	■	
5.3 Flexfuel 4WD (LMG)	POC JH4	Gasol./Etanol	4WD	5328	243	330	09.09-12.14	■	
<b>SUBURBAN XII (K2Y) 07.14-</b>						<b>SUV (Pick-Up Truck)</b>			
5.3 (L83(325CUV8))		Gasolina	RWD	5328	265	360	07.14-12.20	■	

# LISTA DE APLICACIONES - BUYERS GUIDE

5.3 4WD (L83(325CUV8))		Gasolina	4WD	5328	265	360	07.14-	■	
5.3 Flexfuel		Gasolina	FWD	5328	265	360	07.14-	■	
<b>TAHOE III (GMT900) 01.07-07.14</b>					<b>SUV (Luxury Crossover SUV-J Segment)</b>				
5.3 (LY5(325CUV8))	01/12-, POC JH4	Gasolina	RWD	5328	239	325	01.07-12.13	■	
5.3 4WD (LC9(325CUV8))	01/12-, POC JH4	Gasolina	4WD	5328	239	325	01.07-12.13	■	
5.3 4WD (LMG)	01/12-, POC JH4	Gasolina	4WD	5328	239	325	01.07-12.13	■	
5.3 4WD (LY5(325CUV8))	01/12-, POC JH4	Gasolina	4WD	5328	239	325	01.07-12.13	■	
6.0 Flex/Hybrid 4WD (LZ1)		Gasol./etanol/eléc.	4WD	5967	248	337	09.09-12.13	■	
5.3 Flexfuel 4WD (LC9(325CUV8))	01/12-	Gasol./Etanol	4WD	5328	239	325	01.07-07.14	■	
5.3 Flexfuel 4WD (LMG)	01/12-	Gasol./Etanol	4WD	5328	239	325	01.07-07.14	■	
6.0 Hybrid 4WD (LFA)	POC JD9,JF3,JL4	Gasol./eléc.	4WD	5967	248	337	09.07-12.12	■	
<b>TAHOE IV (K2UC) 07.14-</b>					<b>SUV (Luxury Crossover SUV-J Segment)</b>				
5.3 (LMG)	Eq.V_ Special Service	Gasolina	RWD	5328	265	360	07.14-12.20	■	
5.3 4WD (LMG)	Eq.V_ Special Service	Gasolina	4WD	5328	265	360	07.14-12.20	■	
6.2 4WD	Eq.V_ Special Service, for police vehicles, POC 1LR	Gasolina	4WD	6162	301	409	10.15-	■	
6.2 (L86)	Eq.V_ Special Service	Gasolina	RWD	6162	313	426	01.18-	■	
6.2 4WD (L86)	Eq.V_ Special Service, for police vehicles, POC 1LR	Gasolina	4WD	6162	313	426	01.18-	■	
5.3 Flexfuel (L83(325CUV8))	Eq.V_ Special Service	Gasol./Etanol	RWD	5328	265	360	09.16-	■	
<b>GMC</b>									
<b>SIERRA 01.07-</b>					<b>Pickup (Pick-Up Truck)</b>				
5.3 Hybrid	01/12-	Gasolina	FWD	5328	232	315	01.08-	■	
5.3 4x4		Gasolina	4WD	5328	235	320	01.08-12.09	■	
6.2	01/12-	Gasolina	FWD	6162	298	405	01.08-12.09	■	
6.2 Flex-Fuel 4x4		Gasol./Etanol	4WD	6162	301	409	01.12-	■	
6.6 TDiC	01/12-	Diesel	RWD	6599	230	313	01.07-	■	
6.6 TDiC	01/12-	Diesel	RWD	6599	230	313	01.07-	■	
<b>YUKON (GMT900) 09.06-07.14</b>					<b>SUV (Luxury Crossover SUV-J Segment)</b>				
6.2 AWD	01/12-	Gasolina	4WD	6162	279	379	01.07-07.14	■	
6.2 4WD (L92)		Gasolina	4WD	6162	301	409	09.10-07.14	■	