

LISTA DE APLICACIONES - BUYERS GUIDE

182142

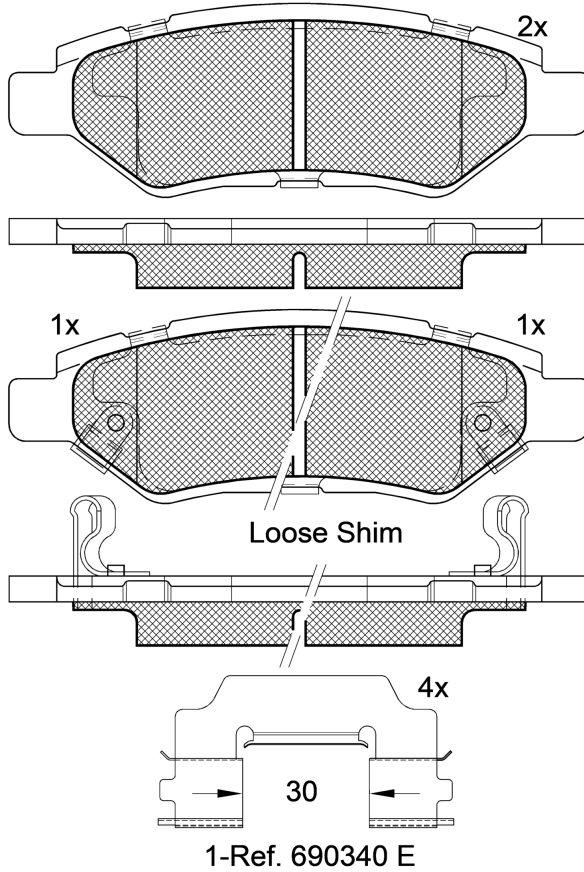


8 424073 107923

Qty: 300

Weight: 1.232

O.E.M.	MAKE
1924 1429	CADILLAC
2087 6917	CHEVROLET
2091 6095	CADILLAC
2096 2994	CADILLAC
2581 4674	CADILLAC
9223 0273	CHEVROLET



182142

E 9 90R-02A0111/2590



Mando

137.65x46x17

WVA	FMSI
24546	D1337-8448
24547	D1337-8752
24548	

MAKE
CADILLAC
CHEVROLET
MAZDA
PORSCHE
SAAB



Trac.	CC	Kw	CV
-------	----	----	----



Front / Rear

CADILLAC

CTS II 01.08-

Coupe (Executive car-E Segment)

Model	Trac.	CC	Kw	CV	Year	Application
3.0 (LF1)	Gasolina	RWD	2997	201	273	01.10-12.13
3.0 AWD (LF1)	Gasolina	4WD	2997	201	273	01.10-12.13
3.6	Gasolina	FWD	3564	218	296	09.11-12.12
3.6	Gasolina	FWD	3564	218	296	09.11-12.12
3.6 FLEX	Gasolina	FWD	3564	218	296	09.12-12.13
3.6	Gasolina	RWD	3564	223	304	01.11-12.11
3.6 (LLT)	Gasolina	RWD	3564	229	311	01.08-
3.6 AWD (LLT)	Gasolina	4WD	3564	229	311	01.08-12.12
3.6 (LLT)	Gasolina	RWD	3564	237	322	09.11-
3.6 AWD (LLT)	Gasolina	4WD	3564	237	322	09.11-07.14
3.0 Flexfuel (LFW)	Gasol./Etanol	RWD	2997	201	273	01.12-07.14
3.6 Flexfuel AWD (LFX)	Gasol./Etanol	4WD	3564	237	322	09.12-

CTS II 07.07-

Saloon (Executive car-E Segment)

Model	Trac.	CC	Kw	CV	Year	Application
2.8 (LP1)	Gasolina	RWD	2792	155	211	01.08-12.09
3.0	Gasolina	RWD	2997	201	273	09.09-10.13
3.0 AWD (LF1)	Gasolina	4WD	2997	201	273	09.09-10.13
3.0 AWD (LFW)	Gasolina	4WD	2997	201	273	09.09-10.13
3.0 (LF1)	Gasolina	RWD	2997	203	276	01.08-12.11
3.0 AWD (LF1)	Gasolina	4WD	2997	203	276	01.08-12.10
3.6 (LY7)	Gasolina	RWD	3564	196	266	01.08-12.10
3.6	Gasolina	RWD	3564	199	271	01.10-
3.6 AWD (LLT)	Gasolina	4WD	3564	199	271	01.10-09.13

LISTA DE APLICACIONES - BUYERS GUIDE

3.6		Gasolina	FWD	3564	218	296	09.11-12.12	■	
3.6		Gasolina	FWD	3564	218	296	09.11-12.12	■	
3.6 FLEX		Gasolina	FWD	3564	218	296	09.12-12.13	■	
3.6 VVTi (LLT)	Syst. J55	Gasolina	RWD	3564	224	305	03.08-12.12	■	
3.6 VVTi (LLT)		Gasolina	RWD	3564	227	309	01.08-	■	
3.6 (LLT)		Gasolina	RWD	3564	229	311	01.08-09.13	■	
3.6 AWD (LLT)		Gasolina	4WD	3564	229	311	01.08-09.13	■	
3.6 (LLT)		Gasolina	RWD	3564	237	322	09.11-09.13	■	
3.6 AWD (LLT)		Gasolina	4WD	3564	237	322	09.11-09.13	■	
6.2 (LSA)	POC J55,JE5	Gasolina	RWD	6162	415	564	01.09-	■	
3.6 Flexfuel (LFX)		Gasol./Etanol	RWD	3564	237	322	09.12-	■	
3.6 Flexfuel AWD (LFX)		Gasol./Etanol	4WD	3564	237	322	09.12-	■	
CTS II Sport Wagon 01.08-					Estate (Executive car-E Segment)				
3.0 (LF1)		Gasolina	RWD	2997	203	276	01.08-	■	
3.0 AWD (LF1)		Gasolina	4WD	2997	203	276	01.08-	■	
3.6		Gasolina	FWD	3564	218	296	09.11-12.12	■	
3.6		Gasolina	FWD	3564	218	296	09.11-12.12	■	
3.6		Gasolina	FWD	3564	227	309	09.09-12.10	■	
3.6 (LLT)		Gasolina	RWD	3564	229	311	01.08-12.11	■	
3.6 AWD (LLT)		Gasolina	4WD	3564	229	311	01.08-12.11	■	
3.6 (LLT)		Gasolina	RWD	3564	237	322	09.11-07.14	■	
3.6 AWD (LLT)		Gasolina	4WD	3564	237	322	09.11-07.14	■	
3.0 Flexfuel (LFW)		Gasol./Etanol	RWD	2997	201	273	01.12-07.14	■	
3.6 FLEX (LFX)		Gasol./Etanol	RWD	3564	237	322	09.11-	■	
CTS III 09.13-					Coupe (Executive car-E Segment)				
3.6 (LFX)		Gasolina	RWD	3564	237	322	09.13-	■	
3.6 FLEX (LFX)		Gasol./Etanol	RWD	3564	239	325	07.14-	■	
3.6 FLEX AWD (LFX)		Gasol./Etanol	4WD	3564	239	325	07.14-	■	
CTS III 09.13-					Saloon (Executive car-E Segment)				
2.0 Turbo (LTG)	-01/16	Gasolina	RWD	1998	203	276	09.13-	■	
2.0 Turbo AWD (LTG)	-01/16	Gasolina	4WD	1998	203	276	01.14-	■	
3.0 (LFW)		Gasolina	RWD	2997	201	273	07.14-	■	
3.0 AWD (LFW)		Gasolina	4WD	2997	201	273	07.14-	■	
3.6 (LFX)	-01/16	Gasolina	RWD	3564	239	325	09.13-	■	
3.6 (LF3(218CUV6))		Gasolina	RWD	3564	313	426	07.14-	■	
3.6 FLEX AWD (LFX)		Gasol./Etanol	4WD	3564	239	325	07.14-	■	
CTS III Sport Wagon 09.13-					Estate (Executive car-E Segment)				
3.0 (LFW)		Gasolina	RWD	2997	201	273	07.14-	■	
3.0 AWD (LFW)		Gasolina	4WD	2997	201	273	01.12-12.14	■	
3.6 FLEX AWD (LFX)		Gasol./Etanol	4WD	3564	239	325	07.14-	■	
SRX II 01.09-					SUV (Compact SUV-J Segment)				
2.8		Gasolina	FWD	2792	224	305	01.09-	■	
2.8 AWD (LAU)		Gasolina	4WD	2792	224	305	01.09-12.16	■	
3.0 AWD (LF1)		Gasolina	4WD	2997	195	265	10.09-04.16	■	
3.0 (LF1)		Gasolina	FWD	2997	198	269	01.09-12.16	■	
3.0 AWD (LF1)		Gasolina	4WD	2997	198	269	01.09-12.16	■	

LISTA DE APLICACIONES - BUYERS GUIDE

3.0 (LFW)		Gasolina	FWD	2997	199	271	09.11-04.16	■
3.0 AWD (LF1)		Gasolina	4WD	2997	199	270	01.09-12.16	■
3.0 AWD (LFW)		Gasolina	4WD	2997	199	270	01.09-12.16	■
3.6 (LFX)		Gasolina	FWD	3564	230	313	01.12-04.16	■
3.6 AWD (LFX)		Gasolina	4WD	3564	230	313	01.12-04.16	■
3.6 AWD (LFX)		Gasolina	4WD	3564	234	318	10.12-04.16	■
3.6 Flexfuel AWD (LFX)		Gasol./Etanol	4WD	3564	230	313	09.11-12.16	■
CHEVROLET								
CAMARO V 01.11-						Convertible (Pony car-F Segment)		
3.6 (LLT)	-01/12	Gasolina	RWD	3564	232	316	01.11-	■
3.6 (LFX)		Gasolina	RWD	3564	241	328	09.11-	■
6.2 (L99(376CUV8))		Gasolina	RWD	6162	298	405	01.11-	■
6.2 (LS3(376CUV8))		Gasolina	RWD	6162	318	432	01.11-	■
CAMARO V 02.09-12.15						Coupe (Pony car-F Segment)		
3.2 V6	01/10-	Gasolina	FWD	3195	220	300	02.09-	■
3.6		Gasolina	RWD	3564	215	292	04.11-12.11	■
3.6 (LLT)		Gasolina	RWD	3564	224	305	09.09-12.10	■
3.6 (LLT)		Gasolina	RWD	3564	227	309	09.09-12.10	■
3.6 (LLT)	-01/12	Gasolina	RWD	3564	232	316	01.11-12.15	■
3.6 (LFX)		Gasolina	RWD	3564	241	328	09.11-12.15	■
6.2 (L99(376CUV8))		Gasolina	RWD	6162	298	405	09.09-12.15	■
6.2 (LS3(376CUV8))		Gasolina	RWD	6162	318	432	09.09-12.15	■
CAMARO VI 09.15-						Coupe (Pony car-F Segment)		
3.6 (LGX)		Gasolina	RWD	3649	250	340	09.15-	■
MAZDA								
323 V-VI / ETUDE / FAMILIA (BF) 08.85-07.04						Hatchback (Compact car-C Segment)		
1.5 (BF5S) (E5)	Syst. J55	Gasolina	FWD	1490	55	75	08.85-05.89	■
PORSCHE								
911 (964) 12.88-09.93						Coupe (Sports car-S Segment)		
3.3 Turbo (M 30.69)		Gasolina	RWD	3299	235	320	08.90-09.93	■
SAAB								
9-4X 01.11-						SUV (Luxury Crossover SUV-J Segment)		
2.8 Turbo XWD (LAU)		Gasolina	4WD	2792	224	305	02.11-12.11	■
2.8 Turbo XWD (LP9)		Gasolina	4WD	2792	224	305	02.11-12.11	■
3.0 XWD (LF1)		Gasolina	4WD	2997	198	269	02.11-12.11	■