

# LISTA DE APLICACIONES - BUYERS GUIDE

## 182147

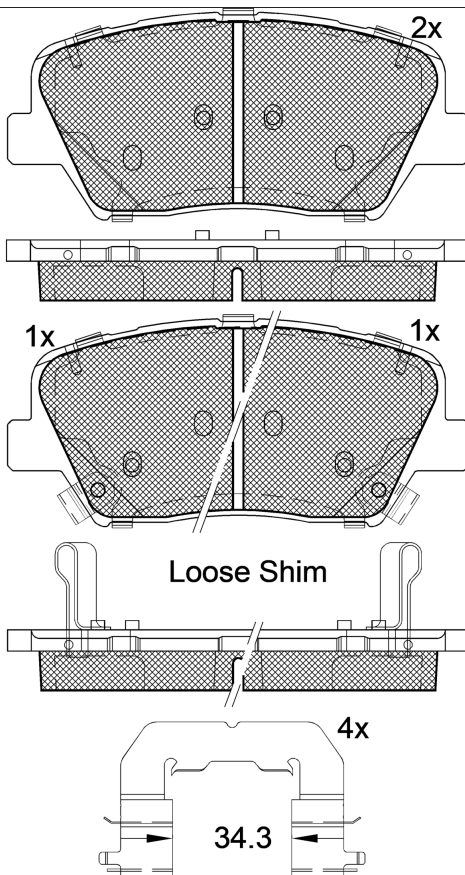


8 424073 107985

Qty: 300

Weight: 1.800

O.E.M.	MAKE
58101-0WA10	HYUNDAI
58101-1UA00	KIA
58101-1UA10	KIA
58101-1UA11	HYUNDAI
58101-1UA50	HYUNDAI
58101-3TA10	KIA
58101-3VA50	HYUNDAI
58101-3VA60	HYUNDAI
58101-3VA70	HYUNDAI
58101-3VA90	HYUNDAI
58101-4ZA00	HYUNDAI
58101-4ZA70	HYUNDAI
58101-A0A00	HYUNDAI
58101-A4A11	KIA
58101-A4A15	KIA
58101-A4A17	KIA
58101-B1A00	HYUNDAI
58101-C6A00	KIA
58101-F5A00	HYUNDAI



1-Ref. 690342 E

## 182147

E 9 **90R-02A0111/3835**



Mando

132.85x59.8x18

WVA	FMSI
25757	D1432-8549
25758	D1687-8549
25759	D1815-8549
	D1815-9049
	D2023-8549

MAKE
GENESIS
HYUNDAI
HYUNDAI (BEIJING)
HYUNDAI (HUATAI)
KIA
KIA (DYK)



Trac.	CC	Kw	CV
-------	----	----	----



Front / Rear

### GENESIS

#### G90/G90L (HI) 12.15-

#### Saloon (Luxury car-F Segment)

3.3 T GDI (G6DP)	Gasolina	RWD	3342	272	370	09.16-	■
3.3 T GDI AWD (G6DP)	Gasolina	4WD	3342	272	370	09.16-	■

### HYUNDAI

#### ASLAN 06.14-

#### Saloon (Executive car-E Segment)

3.0 GDi (G6DG)	Gasolina	FWD	2999	196	266	09.16-	■
3.0	Gasolina	FWD	2999	199	271	06.14-	■
3.3 GDI (G6DH)	Gasolina	FWD	3342	213	290	09.16-	■
3.3	Gasolina	FWD	3342	216	294	06.14-	■

#### CRETA / ix25 / CANTUS (GS) 01.16-

#### SUV (Compact Crossover CUV-C Segment)

1.6 (G4FG)	India	Gasolina	FWD	1591	89	121	07.18-	■
1.6 (G4FG)	India	Gasolina	FWD	1591	90	123	01.16-01.21	■
1.6 4WD (G4FG)		Gasolina	4WD	1591	90	123	08.16-01.21	■
2.0 (G4NA)		Gasolina	FWD	1999	110	150	01.16-01.21	■
2.0 4WD		Gasolina	4WD	1999	110	149	01.16-01.21	■
1.4 CRDi (D4FC)		Diesel	FWD	1396	66	90	01.16-01.21	■
1.6 CRDI (D4FB)		Diesel	FWD	1582	94	128	01.16-01.21	■

#### GENESIS II (DH) 03.14-

#### Saloon (Luxury car-F Segment)

3.0 GDi (G6DG)	Gasolina	RWD	2999	183	249	06.14-07.17	■
3.0 GDi 4WD (G6DG)	Gasolina	4WD	2999	183	249	06.14-07.17	■
3.0 GDi (G6DG)	Gasolina	RWD	2999	189	257	08.14-07.17	■
3.0 GDi 4WD (G6DG)	Gasolina	4WD	2999	189	257	08.14-07.17	■
3.3 GDI (G6DH)	Gasolina	RWD	3342	207	282	08.14-07.17	■

# LISTA DE APLICACIONES - BUYERS GUIDE

3.3 GDI 4WD (G6DH)		Gasolina	4WD	3342	207	282	08.14-07.17	■	
<b>GENESIS III (HI) 09.16-</b>					<b>Saloon (Luxury car-F Segment)</b>				
3.3		Gasolina	RWD	3342	272	370	10.16-	■	
3.3 GDI 4WD		Gasolina	4WD	3342	272	370	10.16-	■	
<b>GRANDEUR IV / AZERA (TG) 06.03-</b>					<b>Saloon (Executive car-E Segment)</b>				
3.3 (G6DB)		Gasolina	FWD	3342	194	264	09.10-12.11	■	
3.8 (G6DA)		Gasolina	FWD	3778	211	287	09.10-12.11	■	
<b>GRANDEUR V / AZERA V (HG) 01.11-</b>					<b>Saloon (Executive car-E Segment)</b>				
2.4 MPI	elec.brake detention	Gasolina	FWD	2359	126	171	01.15-	■	
2.4 (G4KE)	01/12-, elec.brake detention, not elec.brak.detent	Gasolina	FWD	2359	132	180	07.11-12.17	■	
2.4	01/12-	Gasolina	FWD	2359	132	180	01.11-	■	
2.4 GDI	elec.brake detention	Gasolina	FWD	2359	140	190	02.11-04.16	■	
2.4 16V (G4KE)	01/12-, elec.brake detention, not elec.brak.detent	Gasolina	FWD	2359	148	201	01.11-10.16	■	
2.7 (G6BA)	01/12-, elec.brake detention	Gasolina	FWD	2656	141	192	06.11-	■	
3.0 MPI (G6DE)	01/12-, elec.brake detention, not elec.brak.detent	Gasolina	FWD	2999	184	250	07.11-12.17	■	
3.0 MPI (G6DE)	elec.brake detention, not elec.brak.detent	Gasolina	FWD	2999	184	250	01.12-10.16	■	
3.0 MPI (G6DG)	elec.brake detention, not elec.brak.detent	Gasolina	FWD	2999	184	250	01.12-10.16	■	
3.0 GDi (G6DG)	01/12-, elec.brake detention	Gasolina	FWD	2999	195	265	12.11-	■	
3.0 (G6DG)	01/12-, elec.brake detention	Gasolina	FWD	2999	199	271	02.11-10.16	■	
3.3	01/12-	Gasolina	FWD	3342	191	260	06.11-	■	
3.3 GDI (G6DH)	elec.brake detention	Gasolina	FWD	3342	210	286	02.11-10.16	■	
3.3 (G6DH)	elec.brake detention	Gasolina	FWD	3342	216	294	02.11-10.16	■	
3.3 (G6DH)	elec.brake detention	Gasolina	FWD	3342	218	296	09.11-	■	
3.0 LPG (G6DG)	for taxis	Gasol./Gas (LPG)	FWD	2999	173	235	01.11-12.11	■	
2.4 Hybrid	elec.brake detention	Gasol./el éc.	FWD	2359	150	204	07.11-	■	
2.2 D (D4HB)	elec.brake detention	Diesel	FWD	2199	147	200	01.11-12.17	■	
2.2 D		Diesel	FWD	2199	149	203	09.14-10.16	■	
<b>GRANDEUR VI / AZERA VI (IG) 11.16-</b>					<b>Saloon (Executive car-E Segment)</b>				
2.4 GDI (G4KJ)		Gasolina	FWD	2359	140	190	11.16-	■	
3.0 MPI (G6DE)		Gasolina	FWD	2999	184	250	10.17-	■	
3.0 GDi (G6DL)		Gasolina	FWD	2999	192	261	11.16-	■	
3.0 GDi		Gasolina	FWD	2999	196	266	11.16-	■	
3.5 (G6DC)		Gasolina	FWD	3470	213	290	10.17-	■	
3.0 LPG		Gasol./Gas (LPG)	FWD	2999	173	235	11.16-	■	
2.4 Hybrid		Gasol./el éc.	FWD	2359	147	200	04.17-	■	
2.2 CRDi		Diesel	FWD	2199	149	203	11.16-	■	
<b>NEXO (FE) 03.18-</b>					<b>SUV (Compact SUV-J Segment)</b>				
FCEV (FM12)		Hidrógeno	FWD		120	163	03.18-	■	
<b>SANTA FE II (CM) 01.05-03.15</b>					<b>SUV (Executive SUV-J Segment)</b>				
2.4 4x4 (G4KE)	USA	Gasolina	4WD	2359	128	174	07.10-12.12	■	
3.5 4x4 (G6DC)	USA	Gasolina	4WD	3470	204	277	08.11-12.12	■	
3.5	USA	Gasolina	FWD	3470	206	280	09.09-12.12	■	
3.5 4x4 (G6DC)	USA	Gasolina	4WD	3470	206	280	09.09-12.12	■	
3.5 4x4 (G6DC)	USA	Gasolina	4WD	3470	210	286	07.10-12.12	■	
3.5	USA	Gasolina	FWD	3510	210	286	02.11-12.12	■	

# LISTA DE APLICACIONES - BUYERS GUIDE

3.5	USA	Gasolina	FWD	3510	210	286	02.11-	■	
2.0 CRDi (D4HA)	USA	Diesel	FWD	1995	110	150	12.10-12.12	■	
2.0 CRDi 4x4 (D4HA)	USA	Diesel	4WD	1995	110	150	12.10-12.12	■	
<b>SANTA FE III (DM) 09.12-</b>							<b>SUV Van (Executive SUV-J Segment)</b>		
CRDi 4x4	Europe	Diesel	4WD	2199	145	197	05.15-10.18	■	
<b>SANTA FE III (DM, DMA) 09.12-</b>							<b>SUV (Executive SUV-J Segment)</b>		
2.0 GDI (G4KH)		Gasolina	FWD	1998	177	241	06.15-12.18	■	
2.0 GDI 4WD		Gasolina	4WD	1998	177	241	06.15-12.18	■	
2.4 CCVT AWD (G4KE)	01/17-	Gasolina	4WD	2359	126	171	06.15-10.18	■	
2.4 CCVT (G4KE)	01/17-	Gasolina	FWD	2359	129	175	09.12-12.18	■	
2.4 CCVT AWD (G4KE)	01/17-	Gasolina	4WD	2359	129	175	09.12-12.18	■	
2.4 GDI (G4KJ)	01/17-	Gasolina	FWD	2359	138	188	05.15-08.18	■	
2.4 GDI 4WD (G4KJ)	01/17-	Gasolina	4WD	2359	138	188	05.15-08.18	■	
2.4 (G4KJ)	Europe	Gasolina	FWD	2359	141	192	09.12-10.15	■	
2.4 4WD (G4KJ)	Europe	Gasolina	4WD	2359	141	192	09.12-10.15	■	
3.0 GDi		Gasolina	FWD	2999	194	264	01.13-12.18	■	
3.0 GDi 4WD		Gasolina	4WD	2999	194	264	01.13-12.18	■	
3.4 AWD		Gasolina	4WD	3342	183	249	01.14-	■	
3.3		Gasolina	FWD	3342	199	270	03.14-12.19	■	
3.3 4WD (G6DF)		Gasolina	4WD	3342	199	270	03.14-12.19	■	
3.3 GDI		Gasolina	FWD	3342	213	290	06.15-	■	
3.3		Gasolina	FWD	3342	218	296	09.12-	■	
3.3		Gasolina	FWD	3342	218	296	09.12-	■	
2.0 CRDi (D4HA)	01/17-, Europe	Diesel	FWD	1995	110	150	09.12-08.18	■	
2.0 CRDi 4WD (D4HA)	01/17-, Europe	Diesel	4WD	1995	110	150	09.12-08.18	■	
2.0 CRDi (D4HA)	01/17-	Diesel	FWD	1995	136	185	05.15-08.18	■	
2.0 CRDi 4WD (D4HA)	01/17-, Europe	Diesel	4WD	1995	136	185	09.12-08.18	■	
2.2 CRDi (D4HB)	Europe	Diesel	FWD	2199	145	197	09.12-12.18	■	
2.2 CRDi 4WD (D4HB)	Europe	Diesel	4WD	2199	145	197	09.12-12.18	■	
2.2 CRDi (D4HB)	01/17-	Diesel	FWD	2199	147	200	10.15-08.18	■	
2.2 CRDi 4WD (D4HB)	01/17-	Diesel	4WD	2199	147	200	10.15-08.18	■	
2.2 CRDi 4WD	01/17-	Diesel	4WD	2199	149	202	06.15-12.18	■	
<b>SANTA FE IV (TM) 02.18-</b>							<b>SUV Van (Executive SUV-J Segment)</b>		
2.2 CRDi (D4HB)		Diesel	FWD	2199	147	200	07.18-11.20	■	
2.2 CRDi AWD (D4HB)		Diesel	4WD	2199	147	200	07.18-11.20	■	
<b>SANTA FE IV (TM, TMA) 02.18-</b>							<b>SUV (Executive SUV-J Segment)</b>		
2.4 (G4KE)		Gasolina	FWD	2359	127	173	07.18-	■	
2.4 AWD (G4KE)		Gasolina	4WD	2359	127	173	07.18-07.20	■	
2.4 GDI AWD (G4KJ)		Gasolina	4WD	2359	136	185	07.18-07.20	■	
2.4 GDI AWD (G4KJ)		Gasolina	4WD	2359	138	188	07.18-07.20	■	
2.0 CRDi		Diesel	FWD	1995	139	189	05.18-	■	
2.2 CRDi (D4HB)		Diesel	FWD	2199	147	200	07.18-11.20	■	
2.2 CRDi AWD (D4HB)		Diesel	4WD	2199	147	200	07.18-11.20	■	
2.2 CRDi AWD (D4HB)		Diesel	4WD	2199	149	203	02.18-	■	
2.2 CRDi AWD		Diesel	4WD	2199	155	211	07.18-	■	
<b>HYUNDAI (BEIJING)</b>									
<b>SANTA FE (DM) 12.12-</b>							<b>SUV (Executive SUV-J Segment)</b>		
2.0	01/17-	Gasolina	FWD	1998	180	245	12.12-	■	
2.0 4WD	01/17-	Gasolina	4WD	1998	180	245	12.12-	■	

# LISTA DE APLICACIONES - BUYERS GUIDE

2.4	01/17-	Gasolina	FWD	2359	139	189	12.12-	■	
2.4 4WD	01/17-	Gasolina	4WD	2359	139	189	12.12-	■	
<b>SONATA (LF) 03.15-</b>					<b>Saloon (Executive car-E Segment)</b>				
1.6 T		Gasolina	FWD	1591	132	180	03.15-	■	
2.0 T (G4KH)		Gasolina	FWD	1998	177	241	08.17-	■	
2.4		Gasolina	FWD	2359	139	189	03.15-	■	
<b>HYUNDAI (HUATAI)</b>									
<b>SANTA FE 10.06-</b>					<b>Closed Off-Road Vehicle (Executive SUV-J Segment)</b>				
2.0	USA	Gasolina	FWD	1997	93	126	11.10-	■	
2.0 D	USA	Diesel	RWD	1991	93	125	10.06-	■	
<b>KIA</b>									
<b>CARENS III (A4) 03.13-</b>					<b>Box Body/MPV (Compact MPV-M1 Segment)</b>				
CRDi	Eq.V_ MY2016	Diesel	FWD	1685	85	116	04.15-08.16	■	
CRDi	Eq.V_ MY2016	Diesel	FWD	1685	100	136	04.15-08.16	■	
<b>CARENS III / RONDO III (RP) 01.13-</b>					<b>MPV (Compact MPV-M1 Segment)</b>				
1.6 GDI (G4FD)	Eq.V_ MY2016	Gasolina	FWD	1591	99	135	03.13-08.16	■	
2.0 MPi	Eq.V_ MY2016	Gasolina	FWD	1999	110	150	03.13-08.16	■	
2.0 MPi (G4NA)		Gasolina	FWD	1999	112	152	01.14-	■	
2.0 LPI		Gasolina	FWD	1999	113	154	03.13-	■	
2.0 (G4NA)		Gasolina	FWD	1999	116	158	01.17-	■	
2.0 GDI		Gasolina	FWD	1999	121	165	06.16-08.16	■	
2.0 GDI (G4NC)	Eq.V_ MY2016	Gasolina	FWD	1999	122	166	03.13-08.16	■	
2.0 GDI (G4NC)		Gasolina	FWD	1999	130	177	03.13-	■	
2.0 LPI (G4NC)		Gasol./Gas (LPG)	FWD	1999	109	148	08.16-	■	
1.7 CRDi (D4FD)	Eq.V_ MY2016	Diesel	FWD	1685	85	116	03.13-08.18	■	
1.7 CRDi (D4FD)		Diesel	FWD	1685	99	135	03.13-08.16	■	
1.7 CRDi (D4FD)	Eq.V_ MY2016	Diesel	FWD	1685	100	136	03.13-08.16	■	
1.7 CRDi (D4FD)		Diesel	FWD	1685	102	139	07.18-	■	
1.7 CRDi (D4FD)	Eq.V_ MY2016	Diesel	FWD	1685	104	141	07.15-09.18	■	
<b>K9 II (RJ) 03.18-</b>					<b>Saloon (Luxury car-F Segment)</b>				
3.3 GDI (G6DM)		Gasolina	RWD	3342	183	249	02.19-	■	
3.3 GDi AWD (G6DM)		Gasolina	4WD	3342	183	249	02.19-	■	
3.3 T-GDi (G6DP)		Gasolina	RWD	3342	272	370	03.18-	■	
3.3 T-Gdi AWD (G6DP)		Gasolina	4WD	3342	272	370	03.18-	■	
<b>SORENTO II (U.S.A.) 01.11-</b>					<b>Hatchback (Compact SUV-J Segment)</b>				
2.4 FWD/4WD	01/11-, USA	Gasolina	FWD	2395	126	172	01.11-	■	
3.5 FWD/4WD	01/11-, USA	Gasolina	FWD	3495	201	273	01.11-	■	
<b>SORENTO II (XM) 06.09-12.15</b>					<b>SUV Van (Compact SUV-J Segment)</b>				
CVVT	01/13-, USA	Gasolina	FWD	2359	128	174	06.09-12.15	■	
CVVT 4WD	01/13-, USA	Gasolina	4WD	2359	128	174	06.09-12.15	■	
<b>SORENTO II (XM) 09.09-</b>					<b>SUV (Compact SUV-J Segment)</b>				
2.4 CVVT (G4KE)	01/13-, USA	Gasolina	FWD	2359	128	174	11.09-12.15	■	
2.4 CVVT 4WD (G4KE)	01/13-, USA	Gasolina	4WD	2359	128	174	11.09-12.15	■	
2.4 GDI		Gasolina	FWD	2359	142	193	09.13-	■	
3.3 GDI		Gasolina	FWD	3342	216	294	09.13-	■	
3.3 GDI (G6DH)		Gasolina	FWD	3342	216	294	09.13-	■	
3.5	01/13-	Gasolina	FWD	3470	203	276	11.09-12.15	■	

# LISTA DE APLICACIONES - BUYERS GUIDE

3.5 4WD (G6DC)		Gasolina	4WD	3470	204	278	05.13-12.15	■	
3.5	01/13-	Gasolina	FWD	3470	206	280	09.10-12.13	■	
2.2 CRDi (D4HB)	01/13-	Diesel	FWD	2199	147	200	11.09-12.15	■	
2.2 CRDi 4WD (D4HB)	01/13-	Diesel	4WD	2199	147	200	11.09-12.15	■	
<b>SORENTO III (UM) 01.15-</b>					<b>SUV (Compact SUV-J Segment)</b>				
2.0 GDi 4WD		Gasolina	4WD	1997	136	185	07.15-	■	
2.4 (G4KE)		Gasolina	FWD	2359	126	172	01.15-02.20	■	
2.4 4WD (G4KE)		Gasolina	4WD	2359	126	172	01.15-10.20	■	
2.4 (G4KE)		Gasolina	FWD	2359	128	174	01.15-12.20	■	
2.4 (G4KE)		Gasolina	FWD	2359	129	175	01.15-12.20	■	
2.4 4WD (G4KE)		Gasolina	4WD	2359	129	175	01.15-12.20	■	
2.4 GDI (G4KJ)		Gasolina	FWD	2359	138	188	01.15-10.18	■	
2.4 GDI 4WD (G4KJ)		Gasolina	4WD	2359	138	188	01.15-10.18	■	
3.3 4WD		Gasolina	4WD	3342	196	266	01.15-12.20	■	
3.3		Gasolina	FWD	3342	199	271	04.15-12.18	■	
3.3 4WD		Gasolina	4WD	3342	199	271	04.15-12.18	■	
3.5 D-CVVT (G6DC)		Gasolina	FWD	3470	206	280	07.17-12.20	■	
2.0 CRDi 4WD (D4HA)		Diesel	4WD	1995	136	185	07.15-12.20	■	
2.0 CRDi		Diesel	FWD	1995	137	186	07.15-12.20	■	
2.0 CRDi 4WD		Diesel	4WD	1995	137	186	07.15-12.20	■	
2.2 CRDi 4WD (D4HB)		Diesel	4WD	2199	142	193	11.16-12.20	■	
2.2 CRDi		Diesel	FWD	2199	143	194	01.15-12.20	■	
2.2 CRDi 4WD (D4HB)		Diesel	4WD	2199	145	197	11.16-12.20	■	
2.2 CRDi (D4HB)		Diesel	FWD	2199	147	200	01.15-08.20	■	
2.2 CRDi 4WD (D4HB)		Diesel	4WD	2199	147	200	01.15-08.20	■	
2.2 CRDi 4WD (D4HB)		Diesel	4WD	2199	149	202	01.15-12.20	■	
<b>KIA (DYK)</b>									
<b>K5 03.11-</b>					<b>Saloon (Executive car-E Segment)</b>				
1.6 T	elec.brake detention	Gasolina	FWD	1591	132	180	10.15-	■	
2.0 (G4KH)	elec.brake detention	Gasolina	FWD	1998	180	245	10.15-	■	
2.0 (G4NA)	elec.brake detention	Gasolina	FWD	1999	118	161	10.15-	■	
2.0 Hybrid (G4NG)	elec.brake detention	Gasol./el éc.	FWD	1999	115	156	06.16-	■	