

LISTA DE APLICACIONES - BUYERS GUIDE

182147-203

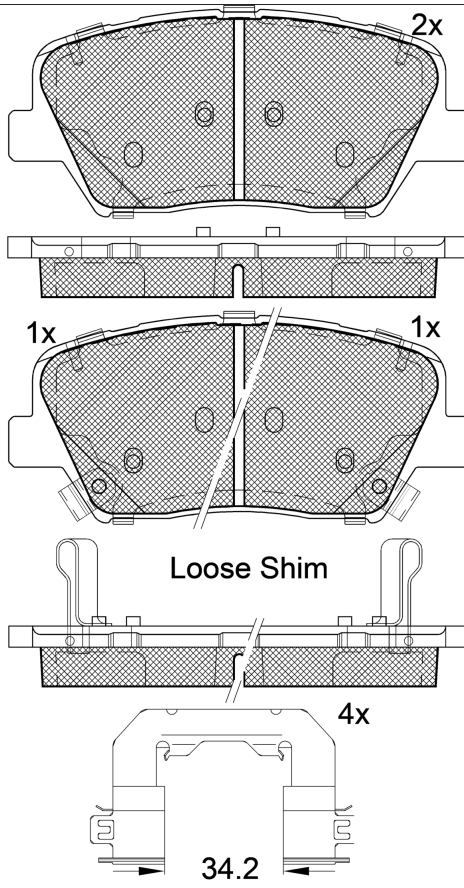


8 424073 183996

Qty: 300

Weight: 1.795

O.E.M.	MAKE
58101-M5A10	HYUNDAI
58101-Q6A10	KIA



1-Ref. 690565 E

182147-203



90R-02A0111/3835



Mando

132.85x59.8x18

WVA	FMSI
25757	D1815-9049
25758	
25759	
MAKE	
HYUNDAI	
KIA	



Trac.	CC	Kw	CV
-------	----	----	----



Front / Rear

HYUNDAI

NEXO (FE) 03.18-

SUV (Compact SUV-J Segment)

FCEV (FM12)	Hidrógen o	FWD		120	163	03.18-	■
-------------	---------------	-----	--	-----	-----	--------	---

KIA

SELTOS (SP2, SP2I) 08.19-

SUV (Compact SUV-J Segment)

1.6 MPi 4WD (SP2) (G4FG)	Gasolina	4WD	1591	89	121	09.19-	■
1.6 MPi (SP2) (G4FG)	Gasolina	FWD	1591	90	122	09.19-	■
1.6 T-GDi 4WD (SP2) (G4FJ)	Gasolina	4WD	1591	130	177	09.19-06.22	■