

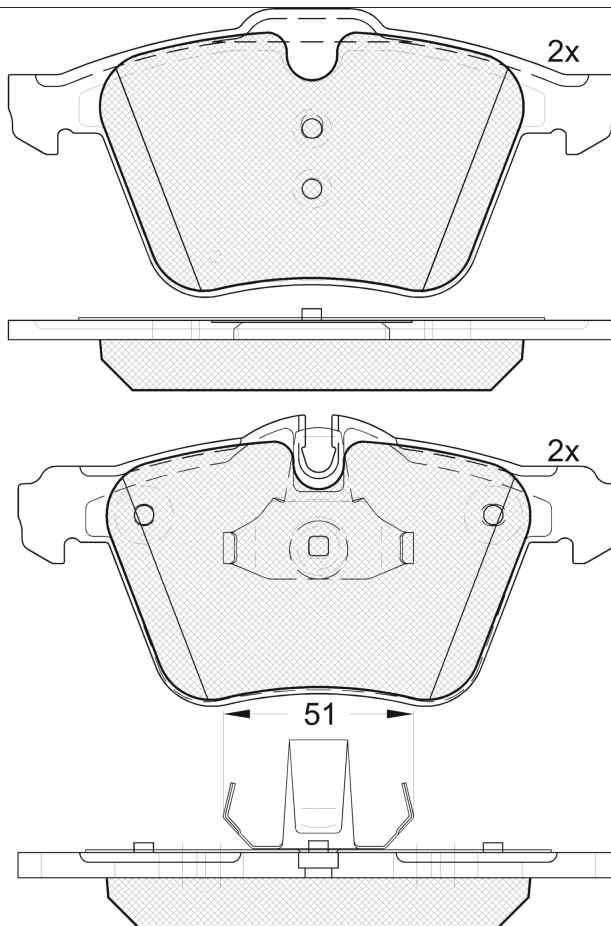
# LISTA DE APLICACIONES - BUYERS GUIDE

## 182149



Qty: 300

Weight: 2.200



## 182149

**E 9** 90R-02A0111/3786



Ate - Teves

154.9x75.1x20

155.9x74.3x20

O.E.M.	MAKE
C20 31788	JAGUAR
C2C 14096	JAGUAR
C2C 40926	JAGUAR
C2D 23150	JAGUAR
C2D 31788	JAGUAR
C2D60996	JAGUAR
EX53-2K021-AB	JAGUAR
T2R10202	JAGUAR
T2R7247	JAGUAR

WVA	FMSI
24079	D1472-8357
25803	D1472-8858
	D1751-8357

**MAKE**  
JAGUAR



Trac.	CC	Kw	CV
-------	----	----	----



Front / Rear

### JAGUAR

F-TYPE (X152) 10.12-							Convertible (Sports car-S Segment)			
2.0 Ti4 (PT204)	discØ 355, not ceramic disc, Syst. 18"	Gasolina	RWD	1997	221	300	07.17-	■		
3.0 SCV6 (306PS)	discØ 355, not ceramic disc, Syst. 18"	Gasolina	RWD	2995	250	340	10.12-	■		
3.0 SCV6 AWD (306PS)	not ceramic disc, Syst. 18"	Gasolina	4WD	2995	250	340	08.17-	■		
3.0 SCV6 S (306PS)	discØ 355, not ceramic disc, Syst. 18"	Gasolina	RWD	2995	280	380	10.12-	■		
3.0 SCV6 S AWD (306PS)	not ceramic brakes, discØ 355, not ceramic disc, Syst. 18"   Rim 17	Gasolina	4WD	2995	280	380	12.14-	■		
SCV6 400 SPORT (306PS)	discØ 355, not ceramic disc, Syst. 18"	Gasolina	RWD	2995	294	400	11.16-	■		
SCV6 400 SPORT AWD (306PS)	discØ 355, not ceramic disc, Syst. 18"	Gasolina	4WD	2995	294	400	11.16-	■		
5.0 SCV8 P450 (AJ133G2)	discØ 355, not ceramic disc, Syst. 18"	Gasolina	RWD	5000	331	450	12.19-	■		
5.0 SCV8 P450 AWD (AJ133G2)	discØ 355, not ceramic disc, Syst. 18"	Gasolina	4WD	5000	331	450	12.19-	■		
5.0 SCV8 S (508PS)	discØ 355, not ceramic disc, Syst. 18"	Gasolina	RWD	5000	364	495	10.12-	■		
5.0 SCV8 R (508PS)	discØ 355, not ceramic disc, Syst. 18"	Gasolina	RWD	5000	405	551	10.13-	■		
5.0 SCV8 R AWD (508PS)	not ceramic brakes, discØ 355, not ceramic disc, Syst. 18"   Rim 17	Gasolina	4WD	5000	405	551	12.14-	■		
5.0 SCV8 SVR (508PS)	discØ 355, not ceramic disc, Syst. 18"	Gasolina	RWD	5000	423	575	05.15-	■		
5.0 SCV8 SVR / SCV8 P575 R AWD (508PS)	discØ 355, not ceramic disc, Syst. 18"	Gasolina	4WD	5000	423	575	12.15-	■		
5.0 SCV8 SVR / SCV8 P575 R AWD (AJ133G2)	discØ 355, not ceramic disc, Syst. 18"	Gasolina	4WD	5000	423	575	12.15-	■		

# LISTA DE APLICACIONES - BUYERS GUIDE

<b>F-TYPE (X152) 09.13-</b>						<b>Coupe (Sports car-S Segment)</b>			
2.0 Ti4 (PT204)	discØ 355, not ceramic disc, Syst. 18"	Gasolina	RWD	1997	221	300	07.17-	■	
3.0 SCV6 (306PS)	discØ 355, not ceramic disc, Syst. 18"	Gasolina	RWD	2995	250	340	10.13-	■	
3.0 SCV6 AWD (306PS)	not ceramic disc, Syst. 18"	Gasolina	4WD	2995	250	340	08.17-	■	
3.0 SCV6 S (306PS)	discØ 355, not ceramic disc, Syst. 18"	Gasolina	RWD	2995	280	380	10.13-	■	
3.0 SCV6 S AWD (306PS)	not ceramic brakes, discØ 355, not ceramic disc, Syst. 18"   Rim 17	Gasolina	4WD	2995	280	380	12.14-	■	
3.0 SCV6 400 SPORT (306PS)	discØ 355, not ceramic disc, Syst. 18"	Gasolina	RWD	2995	294	400	11.16-	■	
3.0 SCV6 400 SPORT AWD (306PS)	discØ 355, not ceramic disc, Syst. 18"	Gasolina	4WD	2995	294	400	11.16-	■	
5.0 SCV8 P450 (AJ133G2)	discØ 355, not ceramic disc, Syst. 18"	Gasolina	RWD	5000	331	450	12.19-	■	
5.0 SCV8 P450 AWD (AJ133G2)	discØ 355, not ceramic disc, Syst. 18"	Gasolina	4WD	5000	331	450	12.19-	■	
5.0 SCV8 S (508PS)	not ceramic disc, Syst. 18"	Gasolina	RWD	5000	364	495	09.13-10.15	■	
5.0 SCV8 R (508PS)	discØ 355, not ceramic disc, Syst. 18"	Gasolina	RWD	5000	405	551	10.13-	■	
5.0 SCV8 R AWD (508PS)	not ceramic brakes, discØ 355, not ceramic disc, Syst. 18"   Rim 17	Gasolina	4WD	5000	405	551	12.14-	■	
5.0 SCV8 SVR / SCV8 P575 R AWD (508PS)	discØ 355, not ceramic disc, Syst. 18"	Gasolina	4WD	5000	423	575	12.15-	■	
5.0 SCV8 SVR / SCV8 P575 R AWD (AJ133G2)	discØ 355, not ceramic disc, Syst. 18"	Gasolina	4WD	5000	423	575	12.15-	■	
<b>XF (X250) 03.08-04.15</b>						<b>Saloon (Luxury car-F Segment)</b>			
2.0 (204PT)	discØ 355, Syst. STANDARD	Gasolina	RWD	1999	177	241	06.12-04.15	■	
3.0 AWD (306PS)		Gasolina	4WD	2995	250	340	10.12-04.15	■	
3.0		Gasolina	RWD	2995	254	345	01.13-12.14	■	
3.0 AWD (306PS)		Gasolina	4WD	2995	254	345	09.13-04.15	■	
4.2 Supercharged (SV8TS)		Gasolina	RWD	4196	306	416	03.08-04.15	■	
3.0 Flexfuel		Gasol./Etanol	RWD	2995	250	340	09.13-04.15	■	
3.0 Flexfuel AWD		Gasol./Etanol	4WD	2995	250	340	09.13-04.15	■	
3.0 D		Diesel	RWD	2993	177	241	03.12-	■	
<b>XF II SPORTBRAKE (X250) 09.12-12.15</b>						<b>Estate (Luxury car-F Segment)</b>			
2.0 T (204PT)	discØ 355, Syst. STANDARD	Gasolina	RWD	1999	177	240	08.13-12.15	■	
3.0 D (306DT)		Diesel	RWD	2993	202	275	09.12-04.14	■	
3.0 D (AJV6D)		Diesel	RWD	2993	202	275	09.12-04.14	■	
<b>XJ (X351) 10.09-</b>						<b>Saloon (Luxury car-F Segment)</b>			
2.0 Ti4 (204PT)	USA	Gasolina	RWD	1999	177	241	05.12-12.19	■	
3.0 V6 (AJ-V6)	01/12-	Gasolina	RWD	2967	175	238	01.11-12.19	■	
3.0 SCV6 (306PS)	USA	Gasolina	RWD	2995	250	340	03.12-12.19	■	
3.0 SCV6 AWD (306PS)		Gasolina	4WD	2995	250	340	10.12-12.19	■	
3.0 SCV6 (306PS)		Gasolina	4WD	2995	253	344	09.13-	■	
3.0 SCV6 (306PS)		Gasolina	RWD	2995	253	344	09.12-	■	
5.0		Gasolina	RWD	5000	218	296	10.09-12.12	■	
5.0 V8 (508PN)	01/10-, USA	Gasolina	RWD	5000	283	385	10.09-12.19	■	
5.0 V8 (508PN)		Gasolina	RWD	5000	287	390	08.12-12.19	■	
5.0 V8 AWD (508PN)		Gasolina	4WD	5000	287	390	08.12-	■	
5.0 SCV8 (508PS)		Gasolina	RWD	5000	350	476	09.12-	■	
5.0 SCV8 (508PS)		Gasolina	RWD	5000	380	517	09.12-	■	
3.0 SDV6 (306DT)	01/10-, USA	Diesel	RWD	2993	202	275	10.09-04.16	■	

# LISTA DE APLICACIONES - BUYERS GUIDE

3.0 SDV6 (306DT)	USA	Diesel	RWD	2993	221	300	04.15-12.19	■	
<b>XK II (X150) 03.06-07.14</b>					<b>Convertible (Grand Tourer-S Segment)</b>				
5.0 V8 (508PN)		Gasolina	RWD	5000	283	385	01.09-07.14	■	
<b>XK II (X150) 03.06-12.14</b>					<b>Coupe (Grand Tourer-S Segment)</b>				
5.0 V8		Gasolina	FWD	5000	218	296	09.10-12.11	■	
5.0 V8 (508PN)		Gasolina	RWD	5000	283	385	01.09-07.14	■	