

LISTA DE APLICACIONES - BUYERS GUIDE

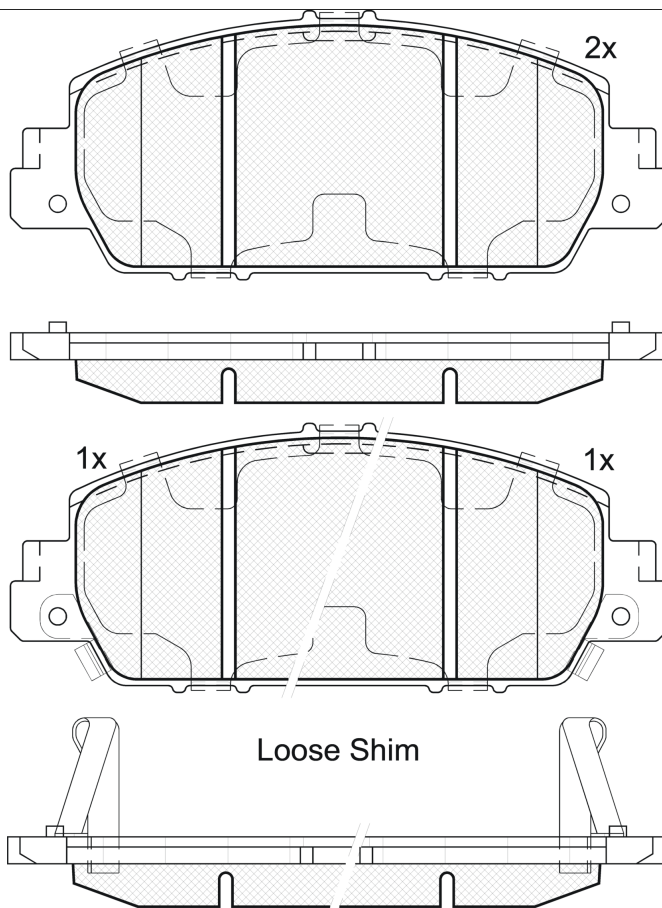
182153



Qty: 300

Weight: 1.845

| O.E.M. | MAKE |
|------------------|-------|
| 45022-T2G-A00 | HONDA |
| 45022-T2G-A01 | HONDA |
| 45022-T2M-T00 | HONDA |
| 45022-T2M-T01 | HONDA |
| 45022-T3V-A00 | HONDA |
| 45022-T3V-A01 | HONDA |
| 45022-T3Z-A01 | HONDA |
| 45022-T4N-H01 | HONDA |
| 45022-T6A-J00 | HONDA |
| 45022-T6D-H00 | HONDA |
| 45022-T6D-H01 | HONDA |
| 45022-T6M-H02 | HONDA |
| 45022-T7W-A00 | HONDA |
| 45022-T7W-A01 | HONDA |
| 45022-T8M-G00 | HONDA |
| 45022-T8M-G00 SK | HONDA |
| 45022-T8M-G01 | HONDA |
| 45022-TVA-A00 | HONDA |



182153

E 9 90R-02A0111/3779



Akebono

148.7x60.8x16.4

| WVA | FMSI |
|-------|------------|
| 25792 | D1654-8883 |
| 25793 | |
| 25794 | |

| MAKE |
|------------------|
| HONDA |
| HONDA (DONGFENG) |
| HONDA (GAC) |



| Trac. | CC | Kw | CV |
|-------|----|----|----|
|-------|----|----|----|



Front / Rear

HONDA

| | | | | | | | SUV () | |
|--------------------|--|------------------|-----|------|----|-----|--------|---|
| (RV) 04.21- | | | | | | | | |
| 1.5 (RV3) | | Gasolina | FWD | 1498 | 87 | 118 | 01.22- | ■ |
| 1.5 iVtec (RV3) | | Gasolina | FWD | 1498 | 89 | 121 | 06.21- | ■ |
| 1.5 eHEV (RV5) | | Gasol./el éc. | FWD | 1498 | 78 | 106 | 04.21- | ■ |
| 1.5 eHEV (RV5) | | Gasol./el éc. | FWD | 1498 | 79 | 107 | 09.21- | ■ |
| 1.5 eHEV (RV5) | | Gasol./el éc. | FWD | 1498 | 96 | 131 | 09.21- | ■ |

| | | | | | | | Coupe (Executive car-E Segment) | |
|-------------------------|--|----------|-----|------|-----|-----|---------------------------------|---|
| ACCORD IX 09.12- | | | | | | | | |
| 2.4 | | Gasolina | FWD | 2354 | 141 | 192 | 09.13- | ■ |
| 2.4 (K24W2) | | Gasolina | FWD | 2356 | 127 | 173 | 05.13- | ■ |
| 2.4 (K24Z3) | | Gasolina | FWD | 2356 | 138 | 188 | 09.12- | ■ |
| 3.5 (J35Y3) | | Gasolina | FWD | 3471 | 203 | 276 | 05.13- | ■ |
| 3.5 | | Gasolina | FWD | 3471 | 204 | 277 | 09.13- | ■ |
| 3.5 (J35Y1) | | Gasolina | FWD | 3471 | 207 | 282 | 09.12- | ■ |

| | | | | | | | Saloon (Executive car-E Segment) | |
|------------------------------|--|----------|-----|------|-----|-----|----------------------------------|---|
| ACCORD IX (CR) 09.12- | | | | | | | | |
| 2.0 | | Gasolina | FWD | 1997 | 114 | 155 | 09.13- | ■ |
| 2.4 | | Gasolina | FWD | 2354 | 136 | 185 | 09.13- | ■ |
| 2.4 (K24Z2) | | Gasolina | FWD | 2354 | 136 | 185 | 09.12- | ■ |
| 2.4 (K24W1) | | Gasolina | FWD | 2354 | 141 | 192 | 09.12- | ■ |
| 2.4 (CR2) (K24W) | | Gasolina | FWD | 2356 | 129 | 175 | 11.13- | ■ |
| 2.4 (CR2) (K24W2) | | Gasolina | FWD | 2356 | 132 | 180 | 07.14- | ■ |
| 2.4 (CR2) (K24W3) | | Gasolina | FWD | 2356 | 132 | 180 | 07.14- | ■ |
| 2.4 (K24Z3) | | Gasolina | FWD | 2356 | 138 | 188 | 09.12- | ■ |

LISTA DE APLICACIONES - BUYERS GUIDE

| | | | | | | | | | |
|------------------------------------|--|---------------------|-----|------|---|-----|-------------|---|--|
| 2.4 | | Gasolina | FWD | 2356 | 139 | 189 | 04.17- | ■ | |
| 3.5 (J35Z2) | | Gasolina | FWD | 3471 | 204 | 277 | 09.13- | ■ | |
| 3.5 | | Gasolina | FWD | 3471 | 206 | 280 | 11.13- | ■ | |
| 3.5 (J35Y1) | | Gasolina | FWD | 3471 | 207 | 282 | 09.12- | ■ | |
| 2.0 E85 (CR1) (R20Z2) | | Gasol./Etanol | FWD | 1997 | 114 | 155 | 06.13- | ■ | |
| 2.0 E85 (CR1) (R20Z3) | | Gasol./Etanol | FWD | 1997 | 114 | 155 | 06.13- | ■ | |
| 2.4 E85 (CR2) | | Gasol./Etanol | FWD | 2356 | 128 | 174 | 06.13- | ■ | |
| 2.0 Hybrid | | Gasol./eléc. | FWD | 1993 | 105 | 143 | 01.13- | ■ | |
| 2.0 Hybrid (CR6) | | Gasol./eléc. | FWD | 1993 | 146 | 199 | 01.13-04.16 | ■ | |
| 2.0 Hybrid (CR6) (LFA-H4) | | Gasol./eléc. | FWD | 1993 | 158 | 215 | 05.16- | ■ | |
| ACCORD X (CV) 10.17- | | | | | Saloon (Executive car-E Segment) | | | | |
| 1.5 iVTEC (CV1) | | Gasolina | FWD | 1498 | 138 | 188 | 10.17- | ■ | |
| 1.5 iVtec | | Gasolina | FWD | 1498 | 140 | 190 | 07.19- | ■ | |
| 1.5 VTEC | | Gasolina | FWD | 1498 | 143 | 194 | 10.18- | ■ | |
| 1.5 VTEC (CV1) (L15BE) | | Gasolina | FWD | 1498 | 146 | 198 | 10.17- | ■ | |
| 1.5 iVTEC (CV1) | | Gasolina | FWD | 1498 | 148 | 201 | 02.20- | ■ | |
| 2.0 iVTEC (CV2) (K20C4) | | Gasolina | FWD | 1996 | 182 | 247 | 10.17- | ■ | |
| 2.0 iVTEC | | Gasolina | FWD | 1996 | 184 | 250 | 11.18- | ■ | |
| 2.0 iVTEC | | Gasolina | FWD | 1996 | 188 | 256 | 01.18- | ■ | |
| 2.0 iVtec Hybrid Flex (CV3) | | Gasol./etanol/eléc. | FWD | 1993 | 107 | 145 | 03.19- | ■ | |
| 1.5 iVTEC Flex | | Gasol./Etanol | FWD | 1498 | 140 | 190 | 03.19- | ■ | |
| 2.0 Hybrid (CV2, CV3) | | Gasol./eléc. | FWD | 1993 | 158 | 215 | 10.18- | ■ | |
| HR-V II - VEZEL (RU) 11.14- | | | | | SUV (Mini SUV-J Segment) | | | | |
| 1.5 i-VTEC AWD (RU2) (L15B4) | | Gasolina | 4WD | 1496 | 96 | 130 | 01.16- | ■ | |
| 1.5 (RU1) | | Gasolina | FWD | 1497 | 88 | 120 | 01.15- | ■ | |
| 1.5 (RU1) (L15B) | | Gasolina | FWD | 1498 | 96 | 130 | 08.15- | ■ | |
| 1.5 i-VTEC (RU1) (L15BY) | | Gasolina | FWD | 1498 | 134 | 182 | 04.19- | ■ | |
| 1.8 (RU5) | | Gasolina | FWD | 1799 | 102 | 139 | 01.15- | ■ | |
| 1.8 i-VTEC Flexone | | Gasolina | FWD | 1799 | 103 | 140 | 06.15- | ■ | |
| 1.8 (RU5) (R18ZF) | | Gasolina | FWD | 1799 | 104 | 141 | 11.14- | ■ | |
| 1.8 (RU5) (R18ZG) | | Gasolina | FWD | 1799 | 104 | 141 | 11.14- | ■ | |
| 1.8 AWD | | Gasolina | 4WD | 1799 | 104 | 141 | 11.14- | ■ | |
| 1.8 (RU58) | | Gasolina | FWD | 1799 | 105 | 143 | 01.15- | ■ | |
| 1.8 AWD | | Gasolina | 4WD | 1799 | 105 | 143 | 01.15- | ■ | |
| 1.6 i-DTEC (RU8) | | Diesel | FWD | 1597 | 88 | 120 | 08.15- | ■ | |
| STEPWGN V (DBA-RP_) 04.15- | | | | | MPV (Compact MPV-M1 Segment) | | | | |
| 1.5 | | Gasolina | FWD | 1496 | 110 | 150 | 04.15- | ■ | |
| 1.5 | | Gasolina | FWD | 1496 | 110 | 150 | 04.15- | ■ | |
| 2.0 Hybrid (LFA-H4) | | Eléctrico | FWD | 1993 | 107 | 145 | 09.17- | ■ | |
| 2.0 Hybrid (LFA-H4) | | Eléctrico | FWD | 1993 | 135 | 184 | 09.17- | ■ | |
| VEZEL II (RU) 09.13- | | | | | Closed Off-Road Vehicle (Mini SUV-J Segment) | | | | |
| 1.5 i-VTEC | | Gasolina | FWD | 1496 | 96 | 131 | 09.13- | ■ | |
| 1.5 VTEC Flex | | Gasol./Etanol | FWD | 1496 | 85 | 116 | 09.13- | ■ | |
| 1.5 Hybrid | | Gasol./eléc. | FWD | 1496 | 97 | 132 | 09.13- | ■ | |

LISTA DE APLICACIONES - BUYERS GUIDE

| | | | | | | | | | |
|----------------------------------|--|------------------|-----|------|---|-----|-------------|---|--|
| 1.5 Hybrid | | Gasol./el éc. | 4WD | 1496 | 97 | 132 | 09.13- | ■ | |
| VEZEL II (RU) 09.13- | | | | | SUV (Mini SUV-J Segment) | | | | |
| 1.5 i-VTEC (RU1) | | Gasolina | FWD | 1496 | 96 | 131 | 09.13- | ■ | |
| 1.5 i-VTEC (L15Z7) | | Gasolina | FWD | 1497 | 88 | 120 | 01.15- | ■ | |
| HONDA (DONGFENG) | | | | | | | | | |
| ELYSION (RR_) 01.16- | | | | | MPV (Compact MPV-M1 Segment) | | | | |
| 2.4 | | Gasolina | FWD | 2356 | 137 | 186 | 01.16- | ■ | |
| Vti Hybrid | | Gasol./el éc. | FWD | 1993 | 107 | 145 | 09.19- | ■ | |
| INSPIRE (CV_) 10.18- | | | | | Saloon (Executive car-E Segment) | | | | |
| 1.5 260 TURBO | | Gasolina | FWD | 1498 | 143 | 194 | 10.18- | ■ | |
| JADE (FR_) 09.13- | | | | | MPV (Large MPV-M1 Segment) | | | | |
| 210 TURBO (L15BF) | | Gasolina | FWD | 1498 | 115 | 156 | 12.16- | ■ | |
| 1.8 (R18Z6) | | Gasolina | FWD | 1798 | 104 | 141 | 09.13- | ■ | |
| SPIRIOR II (CU_) 11.14- | | | | | Saloon (Executive car-E Segment) | | | | |
| 2.0 | | Gasolina | FWD | 1997 | 114 | 155 | 11.14- | ■ | |
| 2.0 Hybrid | | Gasol./el éc. | FWD | 1993 | 107 | 146 | 01.17- | ■ | |
| XR-V (RU_) 11.14- | | | | | SUV () | | | | |
| 1.5 | | Gasolina | FWD | 1496 | 96 | 131 | 06.15- | ■ | |
| 220TURBO | | Gasolina | FWD | 1498 | 130 | 177 | 07.19- | ■ | |
| 1.8 | | Gasolina | FWD | 1798 | 100 | 136 | 11.14- | ■ | |
| HONDA (GAC) | | | | | | | | | |
| ACCORD IX (CR_) 09.13- | | | | | Saloon (Compact executive car-D Segment) | | | | |
| 2.0 | | Gasolina | FWD | 1997 | 114 | 155 | 09.13-12.18 | ■ | |
| 2.4 | | Gasolina | FWD | 2356 | 137 | 186 | 09.13- | ■ | |
| 3.0 | | Gasolina | FWD | 2997 | 192 | 261 | 09.13- | ■ | |
| 2.0 Hybrid | | Gasol./el éc. | FWD | 1993 | 107 | 146 | 09.16- | ■ | |
| ACCORD X (CV_) 04.18- | | | | | Saloon (Compact executive car-D Segment) | | | | |
| 230 TURBO (L15BM) | | Gasolina | FWD | 1498 | 130 | 177 | 05.18- | ■ | |
| 260 TURBO (L15BN) | | Gasolina | FWD | 1498 | 143 | 194 | 05.18- | ■ | |
| HEV (LFB11) | | Gasol./el éc. | FWD | 1993 | 107 | 145 | 08.18- | ■ | |
| ODYSSEY III (RC_) 08.14- | | | | | MPV (Large MPV-M1 Segment) | | | | |
| 2.4 | | Gasolina | FWD | 2356 | 137 | 186 | 08.14- | ■ | |
| hybrid | | Gasol./el éc. | FWD | 1993 | 107 | 145 | 04.19- | ■ | |
| VEZEL - HR-V (RU_) 10.14- | | | | | SUV (Mini SUV-J Segment) | | | | |
| 1.5 | | Gasolina | FWD | 1498 | 96 | 131 | 10.14- | ■ | |
| 220TURBO | | Gasolina | FWD | 1498 | 130 | 177 | 06.19- | ■ | |
| 1.8 | | Gasolina | FWD | 1799 | 100 | 136 | 10.14- | ■ | |
| 1.8 | | Gasolina | FWD | 1799 | 100 | 136 | 10.14- | ■ | |